

THIS DRAWING IS UNPUBLISHED. RELEASED FOR PUBLICATION  
 © COPYRIGHT - By - ALL RIGHTS RESERVED.

LOC		DIST		REVISIONS			
A	00	P	LTR	DESCRIPTION	DATE	DWN	APVD
		A		RELEASED	27FEB2014	MY	RK

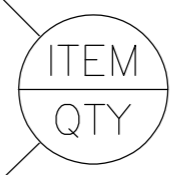
PART NUMBER	REV	FIRST USED
1481262-1	A	-

- REPLACES DOUBLE SIDED TIMING BELTS ON RIGHT SIDE ONLY OF UNIT.
- REPLACES IDLER PULLY BEARINGS ON UPPER CHAMBER REAR, NEW PULLY MOUNTING BLOCK.
- CONNECTS UPPER LEFT AND RIGHT SIDE BELTS FOR POSITIVE DRIVE FROM LEFT SIDE TIMEING BELTS.
- REPLACES UPPER REAR IDLER PULLEYS, KEYED TO DRIVE SHAFT.
- REPLACES STANDARD HEATERS, ADDITIONAL MOUNTING HOLES ALSO REQUIRED.
- REPLACES STANDARD HEATERS, ADDITIONAL MOUNTING HOLES ALSO REQUIRED.
- SPARE PART APPLIES TO SS VERSION ONLY P/N 1-1200141-3.
- SPARE PART APPLIES TO 6" VERSION ONLY P/N 1190562-8.
- SPARE PART APPLIES TO STANDARD VERSION ONLY P/N 6-1195592-4.
- A RING TERMINAL KIT IS AVAILABLE FOR ALL UNITS, THE P/N FOR THIS KIT IS 108277-000.
- FOR THE 6" VERSION (1190562-8) A KIT IS AVAILABLE FOR MODIFYING THE PROCESSOR TO ACCEPT 6" HEATING ELEMENTS THE PART NUMBER FOR THIS KIT IS 295139-000.

1	-	E25750-000	UPPER HEATER ELEMENT 1.75	48
1	-	956470-000	LOWER HEATER ELEMENT 1.75	47
1	-	642514-000	UPPER DRIVE PULLEYS	46
1	-	645068-000	UPPER DRIVE SHAFT	45
1	-	802452-000	UPPER DRIVE SHAFT BALL BEARINGS	44
1	-	A72751-000	FLAT BELTS	43
1	-	649230-000	TIMER MODULE	42
1	-	165005-000	ON SWITCH ASSEMBLY	41
1	-	128877-000	OFF SWITCH ASSEMBLY	40
1	-	958053-000	ELEC SUBASSY, TRANSFORMER, 43 VA- M19 BELT HEATER	39
8	FT	611457-000	CABLE, HARMONIZED EUROPEAN RUBBER CORDAGE, 3C/14AWG (2.5 mm <sup>2</sup> ), 750V, BLK	38
1	-	641271-000	SOLID STATE RELAY, 24-330VAC, 50A OUTPUT, 4-20VDC INPUT, W/SAFETY COVER	37
1	-	514357-000	DIGITAL POTENTIOMETER, 3 DIGIT, 5K, 2 WATT, 0.1%	36
1	-	189813-000	BARRIER TERMINAL BOARD FOR KBMM	35
1	-	267479-000	HOREPOWER RESISTOR, 0.51 OHM, 5 WATT	34
1	-	146903-000	SCR MOTOR CONTROLLER W/ARMATURE FEEDBACK, 125 V 50/60 hZ INPUT (KBMM-125)	33
1	-	463715-000	TEMPERATURE CONTROLLER	32
1	-	812785-000	TIMER, DELAY ON BREAK, 20 MINUTE DELAY TIME, 1A, 120 VAC 50/60 Hz	31
1	-	384673-000	BI-METAL OVER EMPEATURE THERMAL SWITCH KIT	30
1	-	324201-000	SOLENOID, 13 WATT, 12 VDC, CONTINUOUS DUTY, DELTROL MODEL D-70	29
4	-	454165-000	FAN, BALL BEARING, 46 CFM, 12VDC, 3.15 x 3.15 x 0.98"	28
1	-	227805-000	PHOTO SENSOR, 24-240VAC 50/60 Hz, 12-240 VDC, RETROREFLECTIVE, SPDT OUTPUT	27
2	-	353155-000	RELAY, DPDT, 10A, 220VAC CONTACTS, 120 VAC 50/60 Hz COIL, VDE APPROVED	26
2	-	882465-000	RELAY, DPST, 25A, 220VAC CONTACTS, 110 VAC 50/60Hz COIL, VDE APPROVED	25
2	-	832785-000	RELAY, 4PDT, 10A, 220VAC CONTACTS, 120 VAC 50/60Hz COIL, VDE APPROVED	24
1	-	051731-000	PB OPERATOR, 22.5mm IEC, RED MUSHROOM HEAD, 2 POS. TWIST TO RELEASE	23
1	-	156817-000	FUSE, 1 1/4" x 1/4" GLASS TUBE, TIME DELAY, 250V, 3A	22
1	-	858515-000	FUSE, 1 1/4" x 1/4" GLASS TUBE, TIME DELAY, 250V, 1A	21
1	-	073117-000	FUSE, IEC 5x20mm, LOW BREAKING, TIME DELAY, 250V, 1A	20
1	-	919753-000	FUSE, IEC 5x20mm, LOW BREAKING, TIME DELAY, 250V, 3.15A	19
2	-	369517-000	FUSE HOLDER, IEC 5x20mm FUSES, 10A, 250VAC, 16A, 120VAC, VDE APPROVED	18
1	-	657123-000	TRANSFORMER, 300 VA-210, 230, 250V INPUT, 115 V OUTPUT, 50/60 Hz, VDE APPROVED	17
1	-	909813-000	LINE FILTER, 120/250 VAC, 20A, 50/60 Hz	16
1	-	150485-000	CIRCUIT BREAKER, 2 POLE, 20A, 250VAC, 50/60 Hz, UL, CSA, VDE APPROVED	15
1	-	295741-000	MAINTENCE MOUNTING PIN WITH BRACKET	14
2	-	309229-000	UPPER RAIL BACKING PAD WITH TAPE	13
4	-	861021-000	TIMING BELT- 60", 3/8" PITCH, 3/4" WIDTH- M19	12
1	-	646794-000	ENCODER WITHOUT MOTOR, NOT SHOWN	11
1	-	A04349-000	GEARMOTOR, 468:1, RT. ANGLE, DOUBLE SHAFT, 90VDC, 0.25A, 0.02HP MODEL HEDS-5600-E06 QUADRATURE W/ENCODER	10
1	-	369475-000	HEATER ELEMENT, QUAD TRACE IR, 6.00" x 14.12" x 0.81" 1580 W, 220 VAC	9
1	-	233183-000	HEATER ELEMENT, QUAD TRACE IR, 6.00" x 14.12" x 0.81" 1580 W, 220 VAC, W/TYPE K T/C	8
1	-	322965-000	HEATER ELEMENT, DOUBLE TRACE IR, 3.75" x 14.12" x 0.81", 1580 W, 220 VAC	7
1	-	501937-000	HEATER ELEMENT, DOUBLE TRACE IR, 3.75" x 14.12" x 0.81", 1580 W, 220 VAC, W/TYPE K T/C	6
1	-	839871-000	LOCKOUT GATE- M19	5
1	-	F61949-000	MOTOR MOUNTING BRACKET- M19	4
2	-	546137-000	PULLY, ALUM.- TIMING BELT, Ø4.78, 3/8" PITCH, 40 TOOTH, 1/2" HUB W/KEYWAY	3
6	-	841201-000	IDLER PULLY WITH BEARING INSTALLED	2
2	-	432237-000	LOWER BELT BACKING GUIDE	1

QTY REQD PER ASSY		U/M	PART NO	DESCRIPTION	ITEM NO
-------------------	--	-----	---------	-------------	---------

ITEM NUMBER  
 QUANTITY OR LENGTH  
 BALLOON LEGEND



THIS DRAWING IS A CONTROLLED DOCUMENT. FINISH

DWN	M. YOUNGER	07FEB2014
CHK	R. KEENEY	26FEB2014
APVD	R. KEENEY	26FEB2014

TE Connectivity

NAME: MODEL 19 BELTHEATER SPARE PARTS

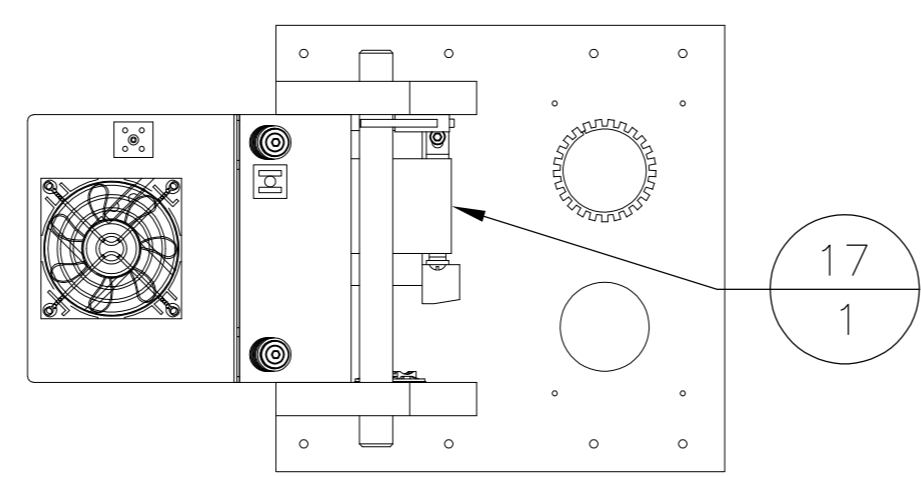
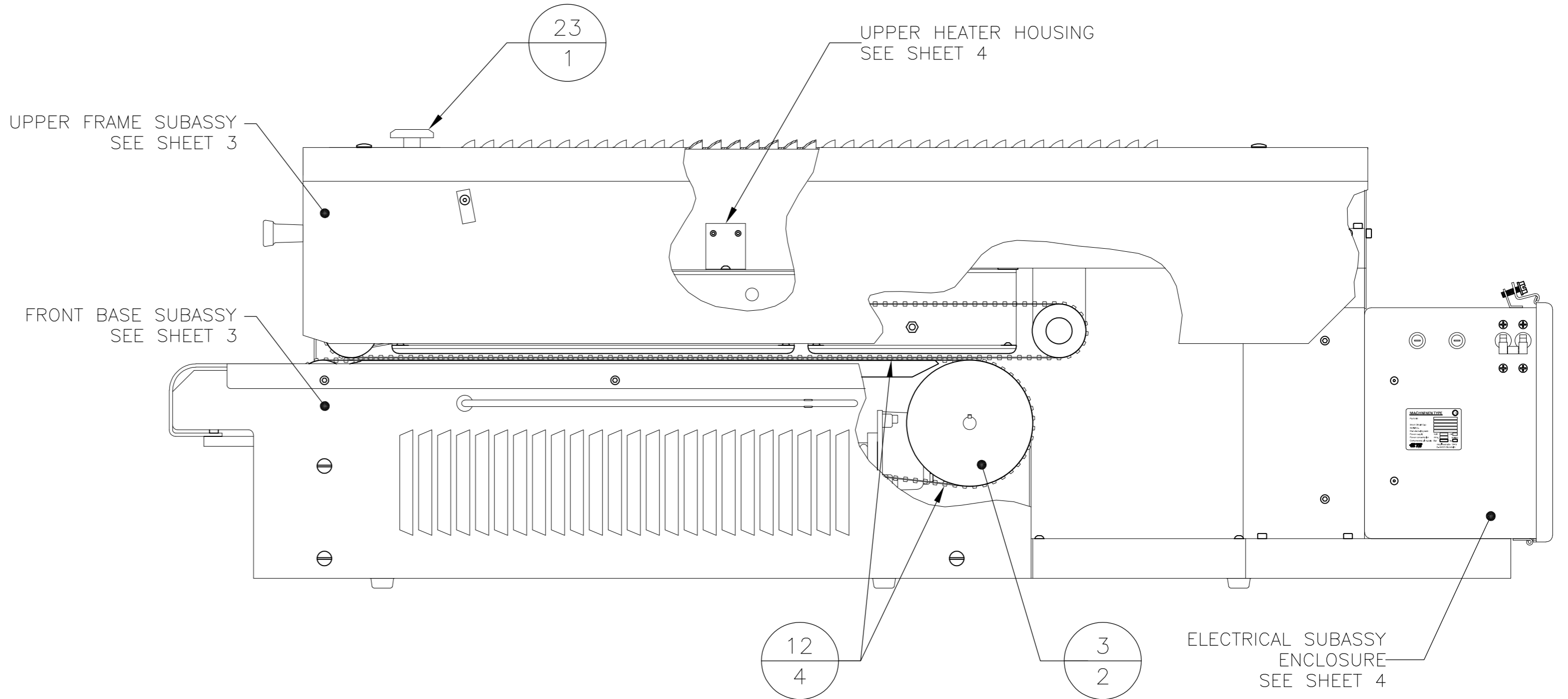
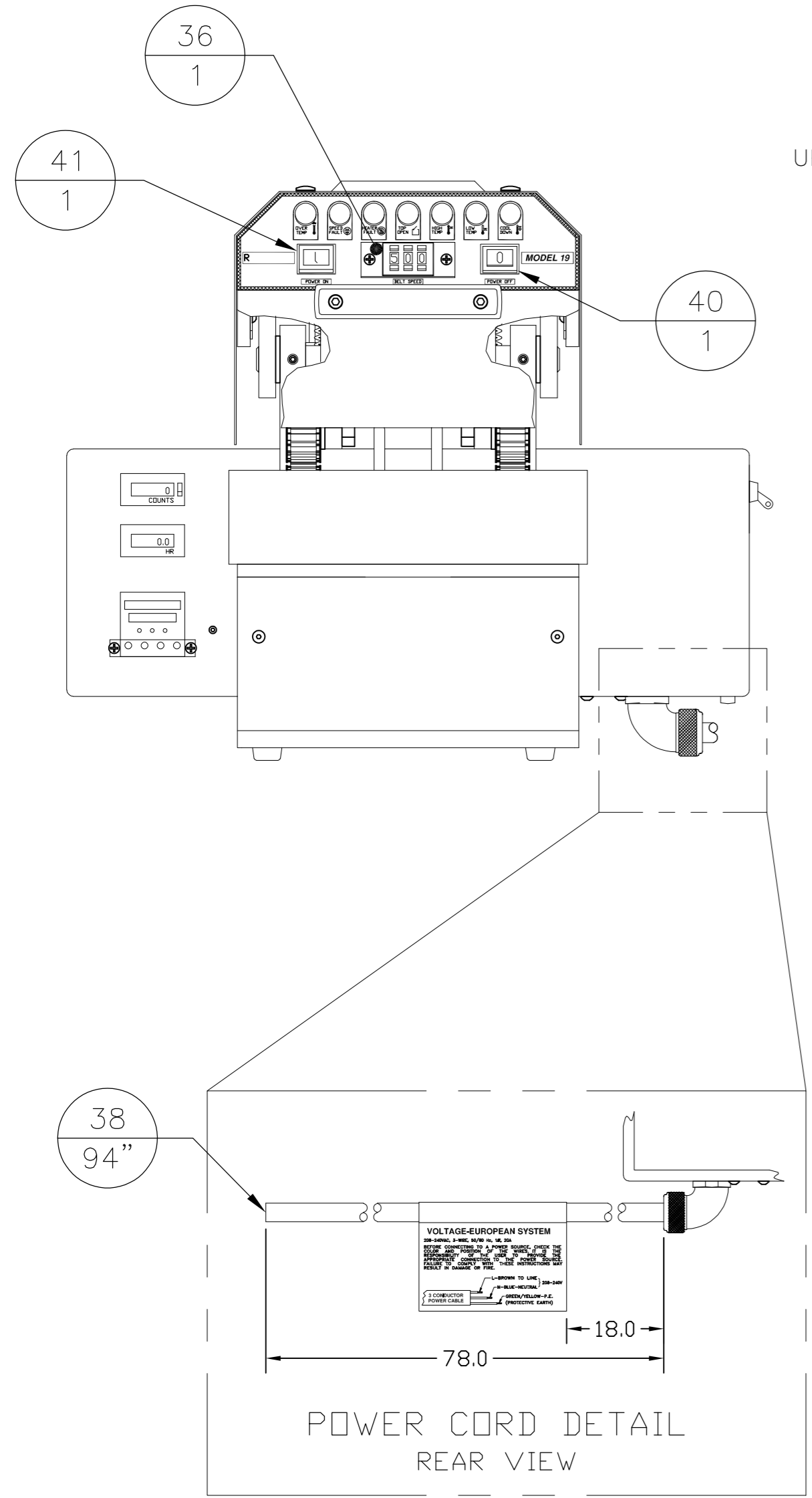
SIZE: A2 CAGE CODE: 00779 DRAWING NO: C-1481262 RESTRICTED TO: -

SCALE: - SHEET: 1 of 4 REV: A

CUSTOMER DRAWING

THIS DRAWING IS UNPUBLISHED. RELEASED FOR PUBLICATION  
 © COPYRIGHT - By - ALL RIGHTS RESERVED.

LOC	DIST	REVISIONS			
P	LTR	DESCRIPTION	DATE	DWN	APVD
A	00	SEE SHEET 1	-	-	-

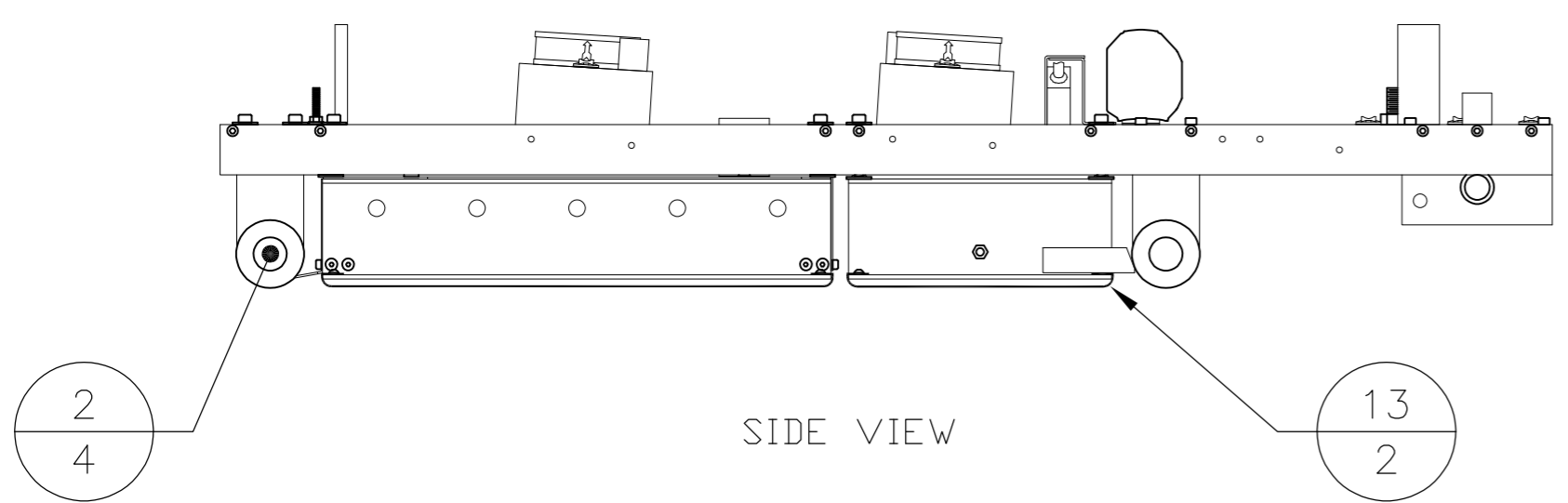
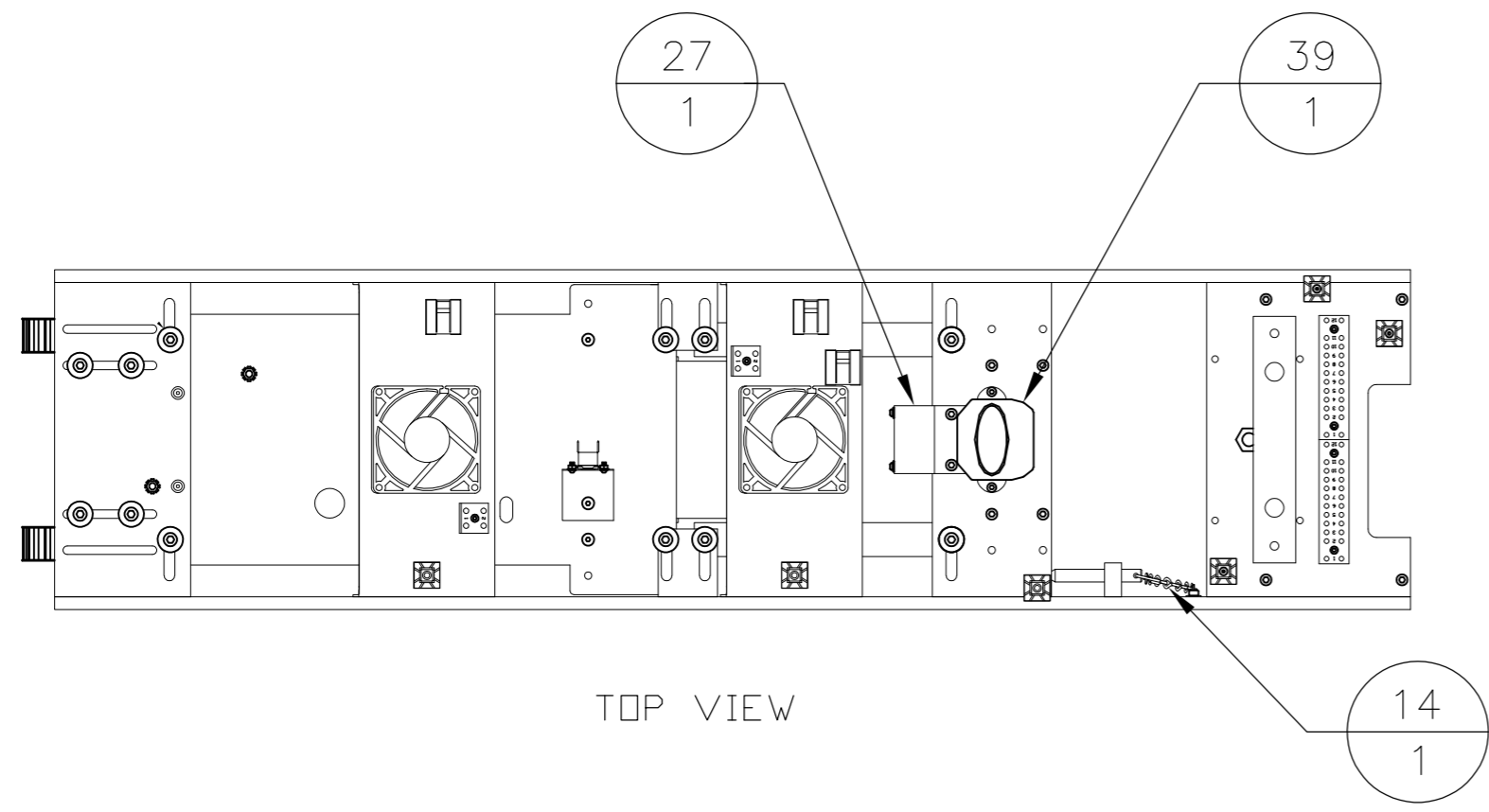


REAR BASE DETAIL  
MECHANICAL SUBASSY

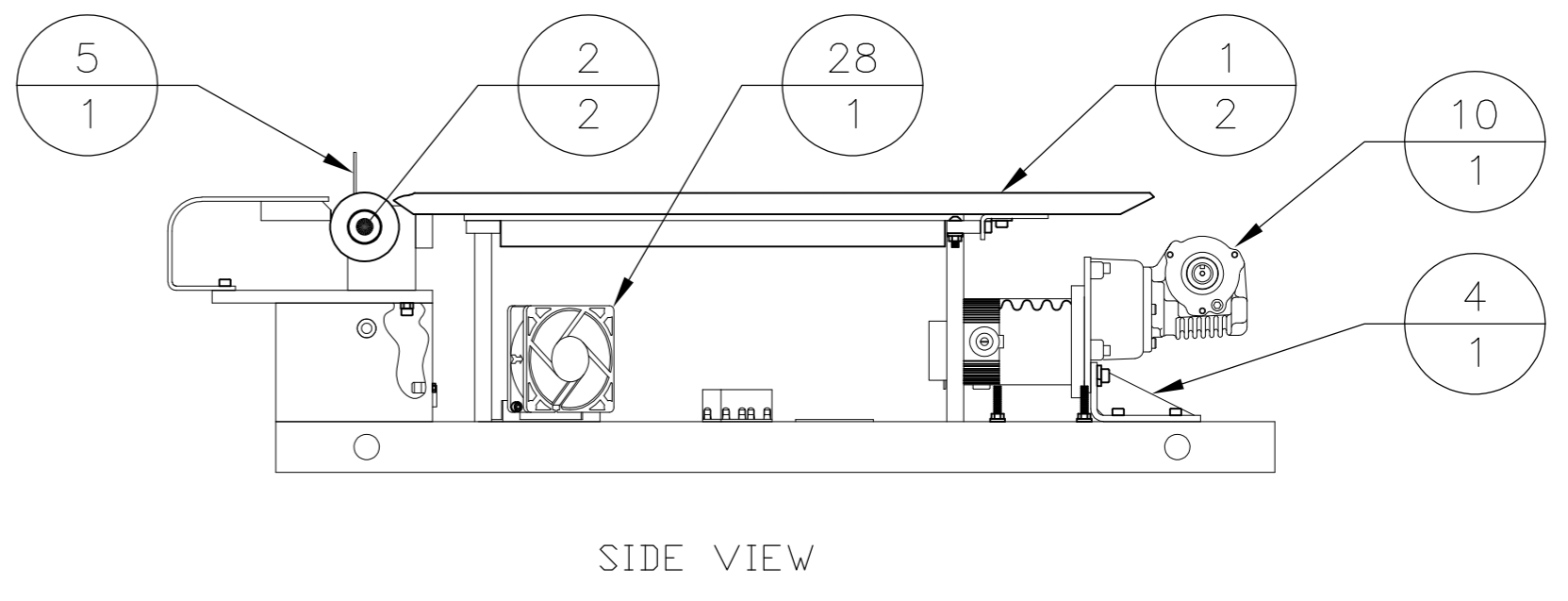
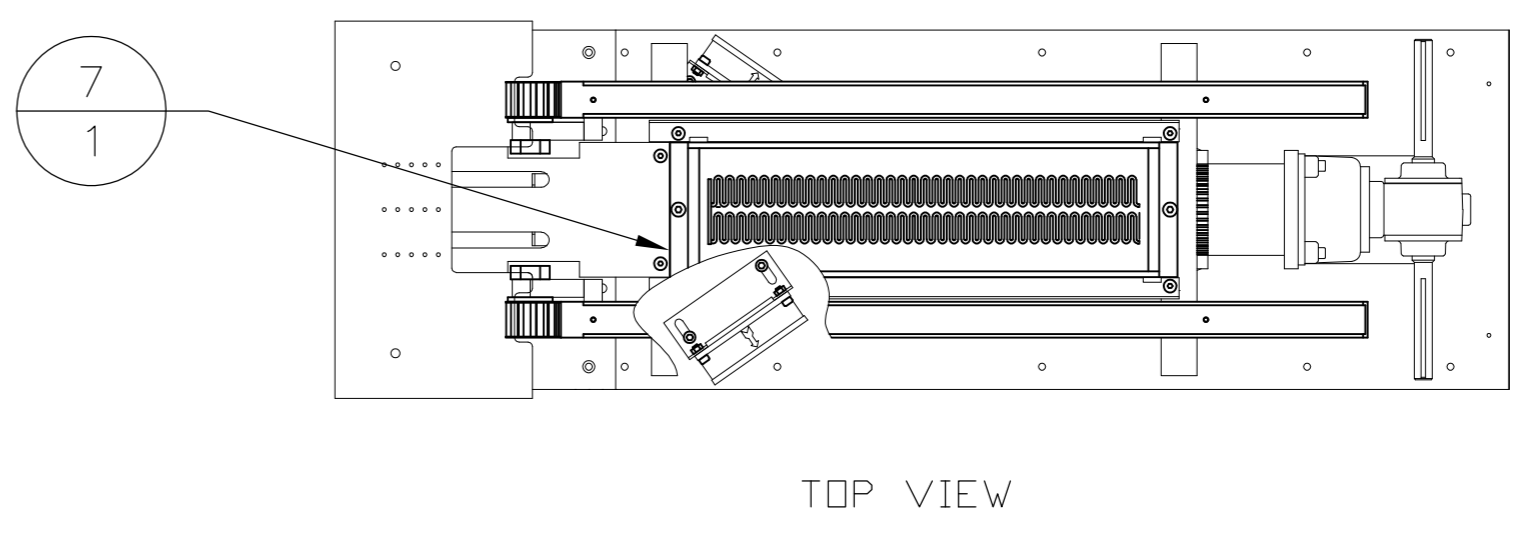
THIS DRAWING IS A CONTROLLED DOCUMENT.		DWN M. YOUNGER 07FEB2014																				
DIMENSIONS: mm		CHK R. KEENEY 26FEB2014																				
TOLERANCES UNLESS OTHERWISE SPECIFIED:		APVD R. KEENEY 26FEB2014	NAME MODEL 19 BELTHEATER SPARE PARTS																			
<table border="1"> <tr><td>0 PLC</td><td>±</td><td>-</td></tr> <tr><td>1 PLC</td><td>±</td><td>-</td></tr> <tr><td>2 PLC</td><td>±</td><td>-</td></tr> <tr><td>3 PLC</td><td>±</td><td>-</td></tr> <tr><td>4 PLC</td><td>±</td><td>-</td></tr> <tr><td>ANGLES</td><td>±</td><td>-</td></tr> </table>		0 PLC	±	-	1 PLC	±	-	2 PLC	±	-	3 PLC	±	-	4 PLC	±	-	ANGLES	±	-	PRODUCT SPEC	SIZE A2	
0 PLC	±	-																				
1 PLC	±	-																				
2 PLC	±	-																				
3 PLC	±	-																				
4 PLC	±	-																				
ANGLES	±	-																				
MATERIAL		APPLICATION SPEC	CAGE CODE 00779	DRAWING NO C=1481262																		
FINISH		WEIGHT	RESTRICTED TO																			
		CUSTOMER DRAWING	SCALE	SHEET 2 of 4																		

THIS DRAWING IS UNPUBLISHED. RELEASED FOR PUBLICATION  
 © COPYRIGHT - By - ALL RIGHTS RESERVED.

LOC	DIST	REVISIONS			
P	LTR	DESCRIPTION	DATE	DWN	APVD
A	00	SEE SHEET 1	-	-	-



UPPER BASE DETAIL  
MECHANICAL SUBASSY



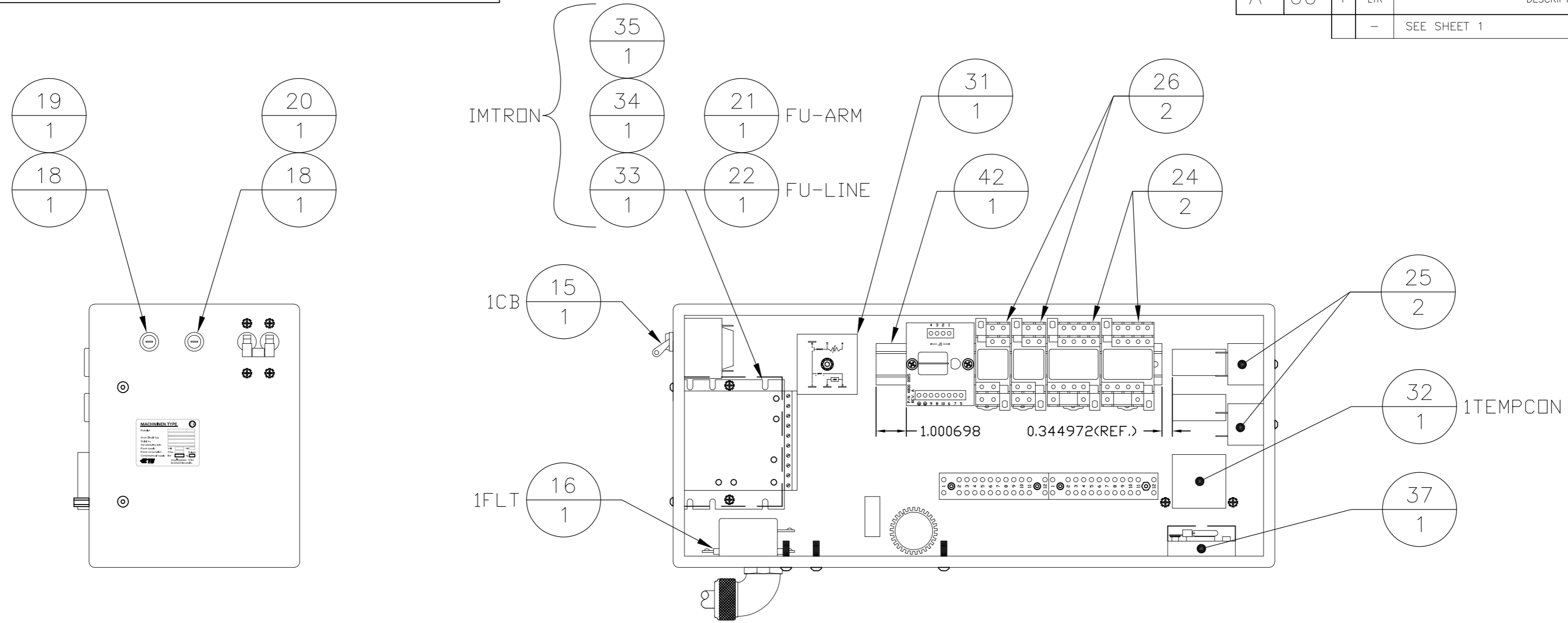
FRONT BASE DETAIL  
MECHANICAL SUBASSY

THIS DRAWING IS A CONTROLLED DOCUMENT.		DWN M. YOUNGER 07FEB2014																									
DIMENSIONS: mm		CHK R. KEENEY 26FEB2014																									
TOLERANCES UNLESS OTHERWISE SPECIFIED:		APVD R. KEENEY 26FEB2014	NAME MODEL 19 BELTHEATER SPARE PARTS																								
<table border="0"> <tr><td>0 PLC</td><td>±</td><td>-</td></tr> <tr><td>1 PLC</td><td>±</td><td>-</td></tr> <tr><td>2 PLC</td><td>±</td><td>-</td></tr> <tr><td>3 PLC</td><td>±</td><td>-</td></tr> <tr><td>4 PLC</td><td>±</td><td>-</td></tr> <tr><td>ANGLES</td><td>±</td><td>-</td></tr> <tr><td>FINISH</td><td></td><td></td></tr> </table>		0 PLC	±	-	1 PLC	±	-	2 PLC	±	-	3 PLC	±	-	4 PLC	±	-	ANGLES	±	-	FINISH			PRODUCT SPEC APPLICATION SPEC	SIZE A2	CAGE CODE 00779	DRAWING NO C=1481262	RESTRICTED TO -
0 PLC	±	-																									
1 PLC	±	-																									
2 PLC	±	-																									
3 PLC	±	-																									
4 PLC	±	-																									
ANGLES	±	-																									
FINISH																											
MATERIAL		WEIGHT	SCALE		SHEET	REV																					
-		-	-		3 OF 4	A																					
CUSTOMER DRAWING																											

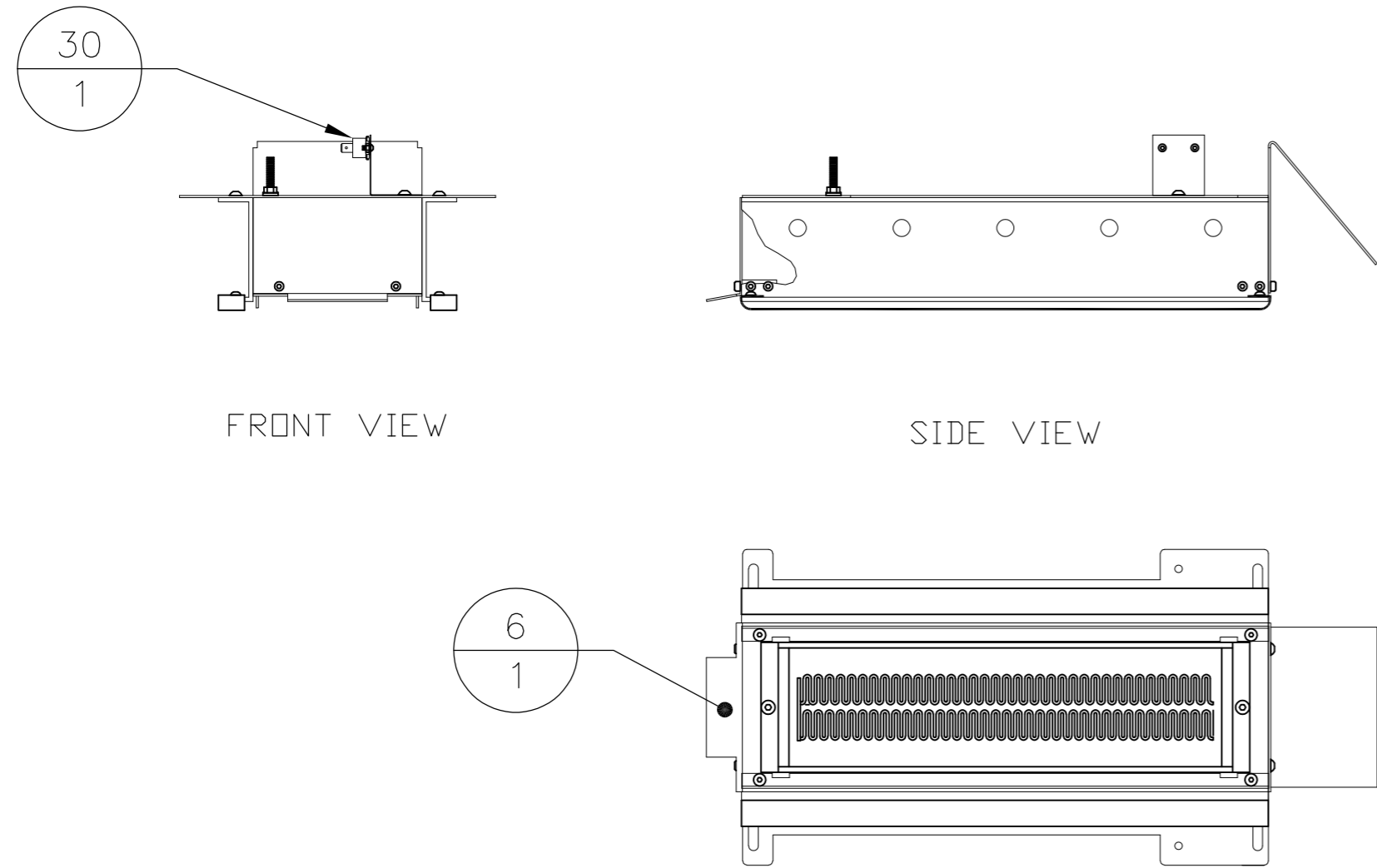
1481262

THIS DRAWING IS UNPUBLISHED. RELEASED FOR PUBLICATION  
 © COPYRIGHT - By - ALL RIGHTS RESERVED.

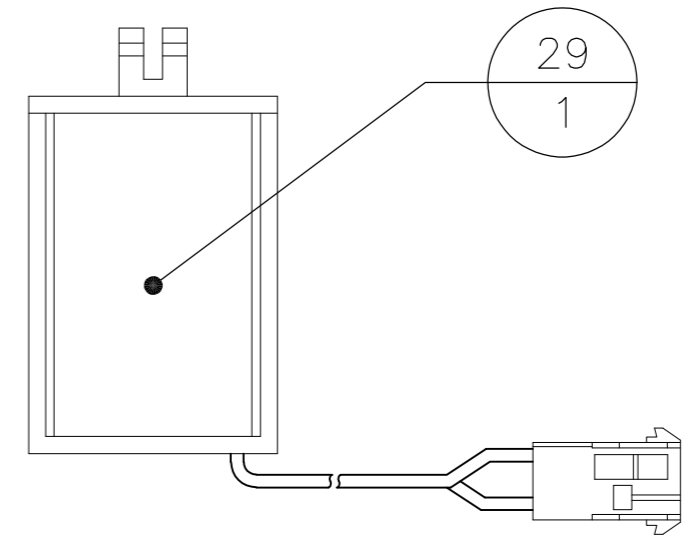
LOC	DIST	REVISIONS			
P	LTR	DESCRIPTION	DATE	DWN	APVD
A	00	SEE SHEET 1	-	-	-



ELECTRICAL ENCLOSURE DETAIL  
SUBASSY



UPPER HEATER DETAIL  
SUBASSY



12 VDC SOLENOID DETAIL  
SUBASSY

THIS DRAWING IS A CONTROLLED DOCUMENT.		DWN M. YOUNGER 07FEB2014																				
DIMENSIONS: mm		CHK R. KEENEY 26FEB2014																				
TOLERANCES UNLESS OTHERWISE SPECIFIED:		APVD R. KEENEY 26FEB2014	NAME MODEL 19 BELTHEATER SPARE PARTS																			
<table border="1"> <tr><td>0 PLC</td><td>±</td><td>-</td></tr> <tr><td>1 PLC</td><td>±</td><td>-</td></tr> <tr><td>2 PLC</td><td>±</td><td>-</td></tr> <tr><td>3 PLC</td><td>±</td><td>-</td></tr> <tr><td>4 PLC</td><td>±</td><td>-</td></tr> <tr><td>ANGLES</td><td>±</td><td>-</td></tr> </table>		0 PLC	±	-	1 PLC	±	-	2 PLC	±	-	3 PLC	±	-	4 PLC	±	-	ANGLES	±	-	PRODUCT SPEC	SIZE A2	
0 PLC	±	-																				
1 PLC	±	-																				
2 PLC	±	-																				
3 PLC	±	-																				
4 PLC	±	-																				
ANGLES	±	-																				
MATERIAL		APPLICATION SPEC	CAGE CODE 00779	DRAWING NO C=1481262																		
FINISH		WEIGHT	RESTRICTED TO	SCALE																		
		CUSTOMER DRAWING	4 OF 4	REV A																		

1481262

单击下面可查看定价，库存，交付和生命周期等信息

[>>TE Connectivity\(泰科\)](#)