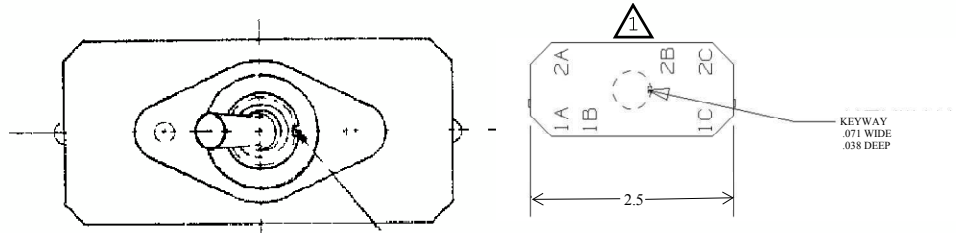


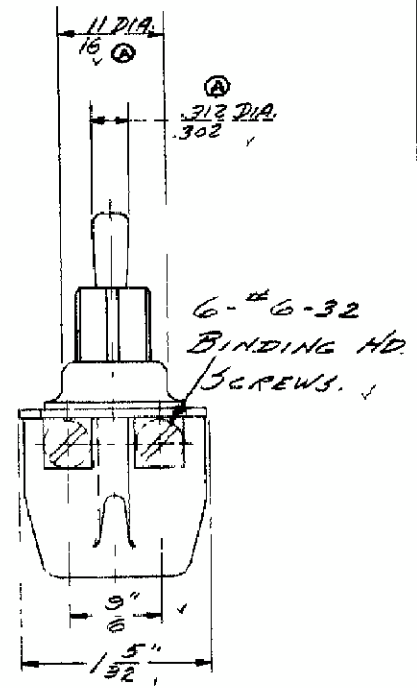
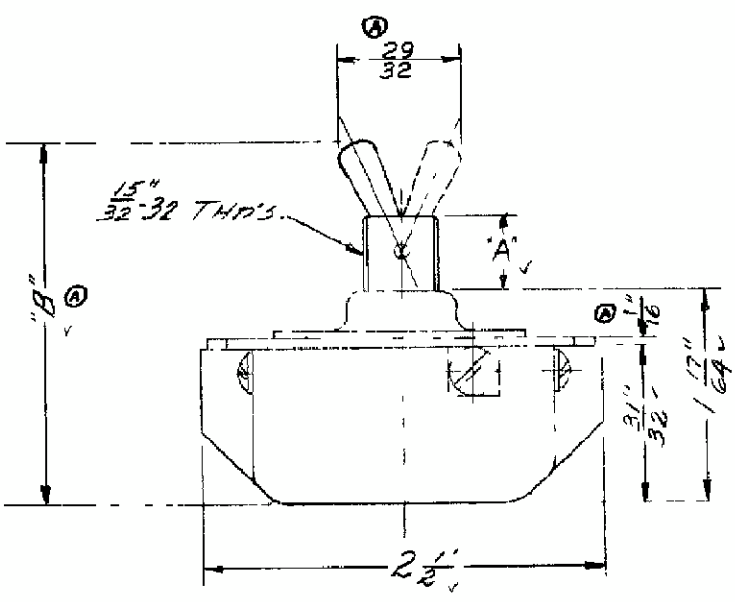
A C-1520204
DWG. SIZE

RAW MATERIAL SPECIFICATION WITH PART NO.		LTR	DESCRIPTION	DWN	APVD
		A	REVISED PER ECO-14-013647	NK	RH

△ STAMP LOCATION IS APPROXIMATE ON PART.



0.68" KEYWAY
0.75" KEYWAY



FOR 90-283-2	A = $\frac{13}{32}$ "	B = $2 \frac{35}{64}$ "
FOR 90-283	A = $\frac{11}{32}$ "	B = $2 \frac{27}{64}$ "

NAME DIM. FOR D.P.D.T., 10 AMP. ONE HOLE MFG. TOOL HANDLE SW.

ORDER NUMBER	SUPERSEDES	SUPERSEDED	FINISH	FIRST ASSEMBLY WHERE USED
DET. 3829-N	INTERCHANGEABLE	INTERCHANGEABLE	—	SEE ABOVE

DRAWN BY	TRACED BY	CHECKED BY	APPROVED BY
<i>[Signature]</i>		<i>[Signature]</i>	<i>[Signature]</i>

STANDARD TOLERANCES UNLESS OTHERWISE SPECIFIED APPLY TO DIMENSIONS FOR WHICH TOLERANCES ARE NOT SHOWN

SCALE	DWG. SIZE	REV
1" = 1"	A	A

STE TE Connectivity

C-1520204

单击下面可查看定价，库存，交付和生命周期等信息

[>>TE Connectivity\(泰科\)](#)