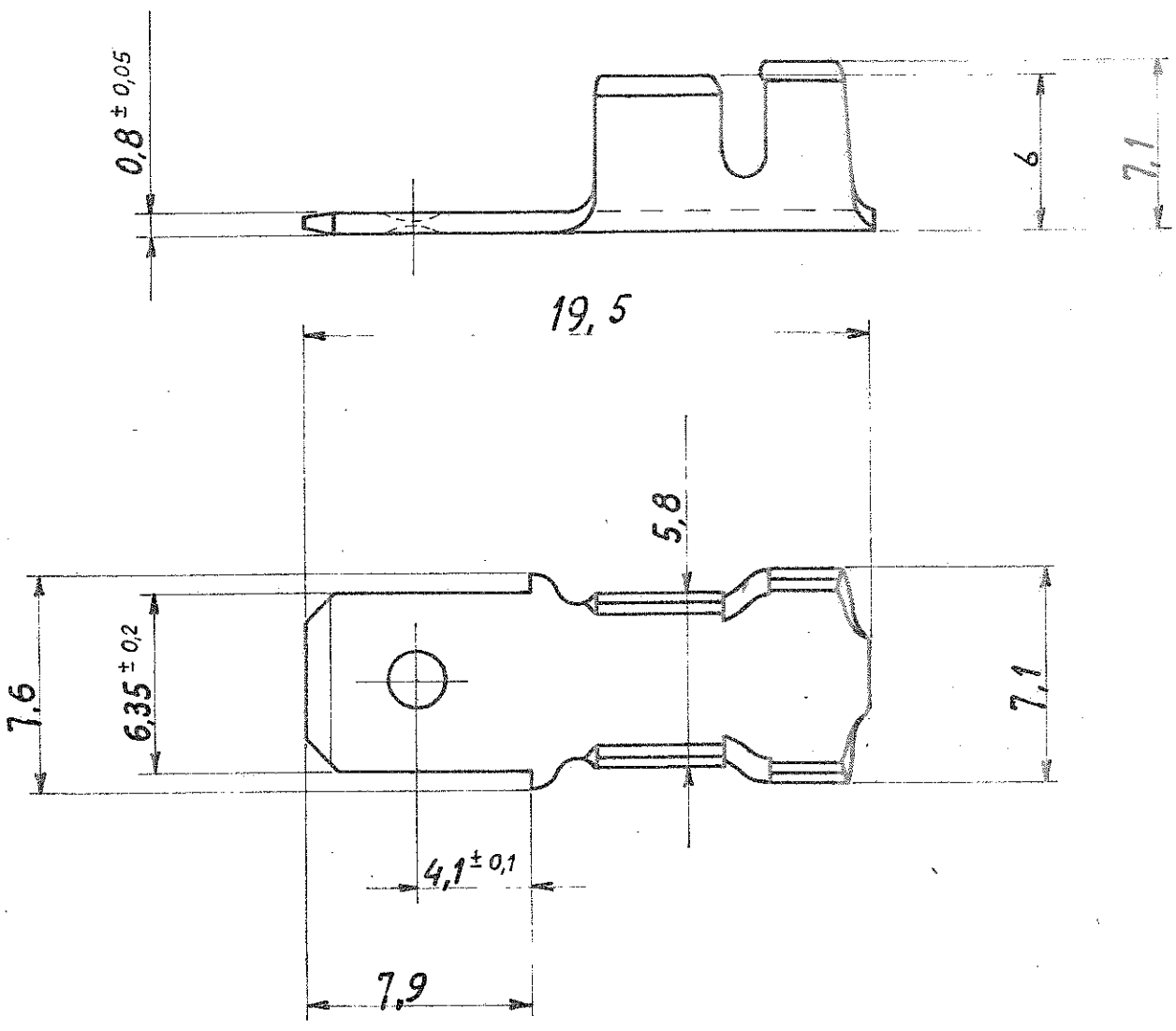


C-180353

N° Part.	Materiale
180353-1	Ottone.
180353-2	Ottone stagnato.
180353-3	BRASS, TIN PLATED 2,5-5,1 μm THK. OVER NICKEL 1,3-3,8 μm THK



DIMENSIONS IN 1/7777 DO NOT SCALE PRINT

© 1973 BY AMP INCORPORATED. ALL RIGHTS RESERVED. AMP PRODUCTS COVERED BY PATENTS AND OR PATENTS PENDING.

CUSTOMER COPY
REFERENCE ONLY

MATERIAL AND FINISH
Vedi tabella

AMP
AMP ITALIA
VIA CERVI 15
COLLEGNO (TORINO)

H1	ADDED PLATING INFORMATION	H.Y	G.T	01 APR 2008
H	ADDED DASH 3	HY	G.T.	21 JAN 2008
C	Rivisto e ridisegnato	DR.		9-1 73
LTR	REVISION RECORD	DR	CHK	DATE

WIRE RANGE	INSULATION	TYPE	CLASS
4-6 mm ²	38-51 Dia.	Auto-Mach.	.250 Series
TOLERANCE EXCEPT AS NOTED	SCALE	LOC	NO
± 0,4 ± 10 ^o	4:1	I A	C-180353
NAME	REV		
Faston Tab.	H1		

DR. *LOAN* 9.1.73
CHK. *Faston* 10-1-73

单击下面可查看定价，库存，交付和生命周期等信息

[>>TE Connectivity\(泰科\)](#)