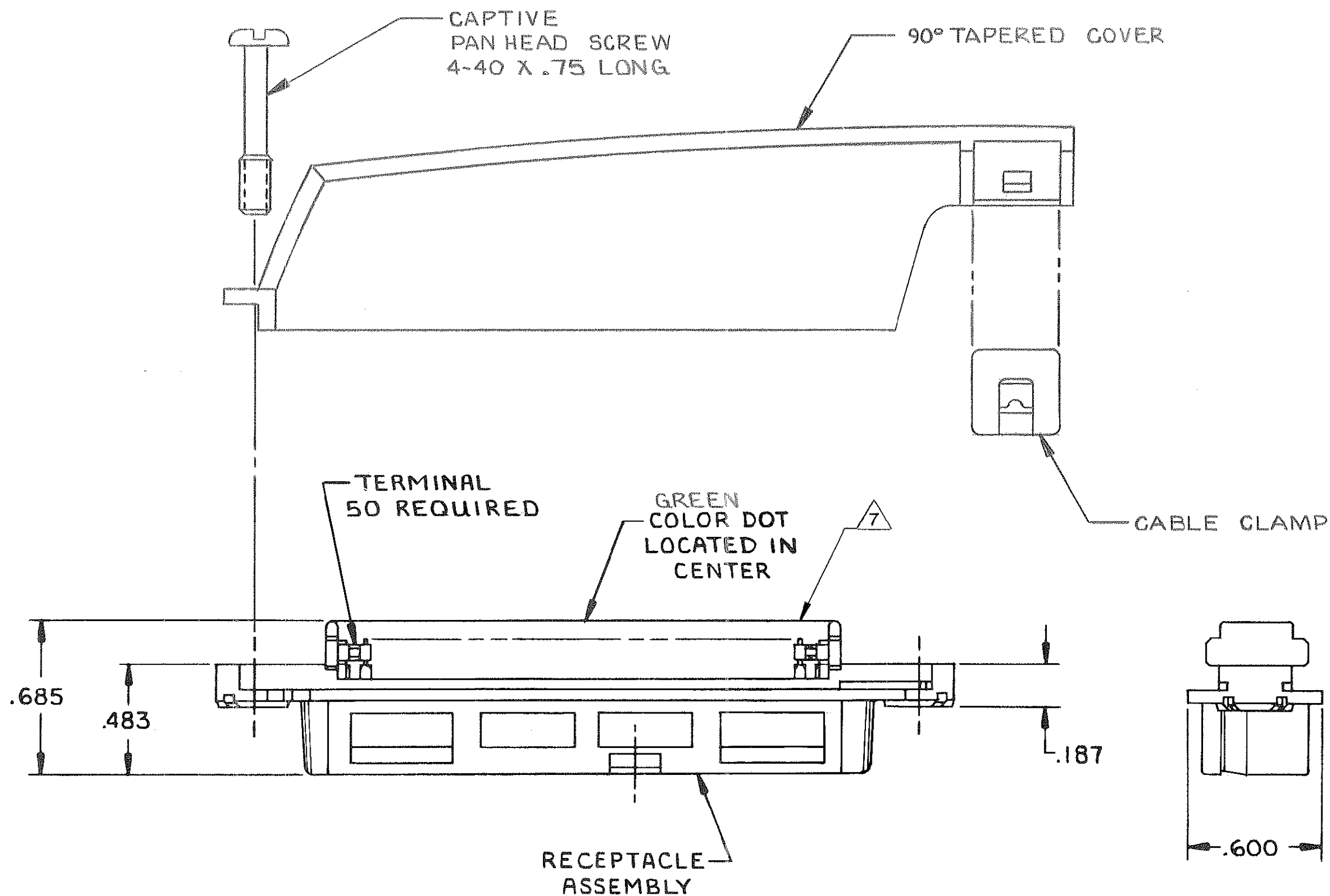
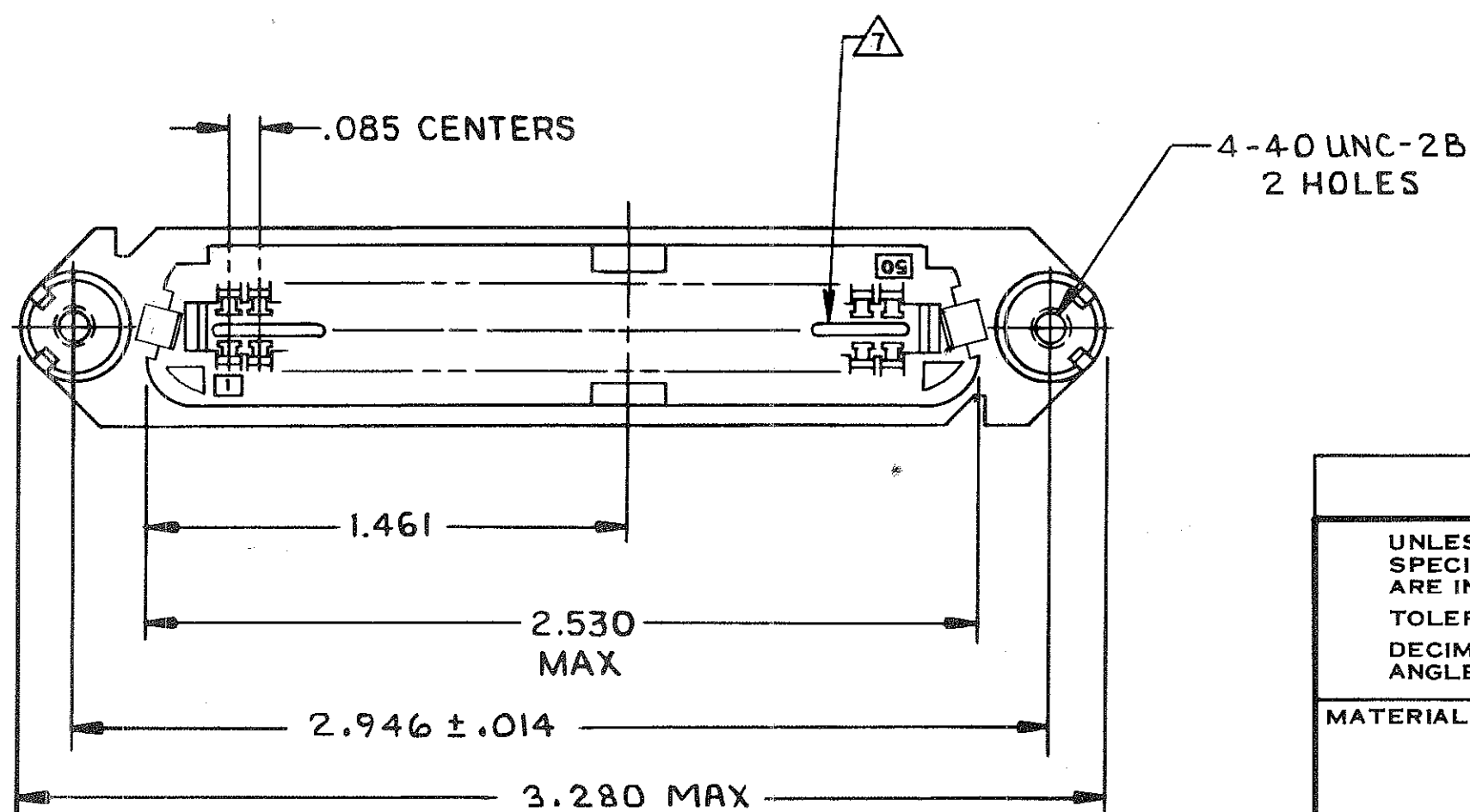


© COPYRIGHT 1973 BY AMP INCORPORATED, HARRISBURG, PA.
ALL INTERNATIONAL RIGHTS RESERVED. AMP INCORPORATED PRODUCTS
COVERED BY U. S. AND FOREIGN PATENTS AND/OR PATENTS PENDING.


REVISIONS					DATE	APPROVED
P	F	ZONE	LTR	DESCRIPTION	DATE	APPROVED
N			N	OBSOLETE - 4 ; ECN AA-5904	11-30-89	LHS / TC
			P	REV; EC QUIC-0040-01	3-19-01	DD / EB



1. THE CONTACT SURFACES OF THE TERMINALS ARE COATED WITH LUBRICANT.
 2. ALL DIMENSIONS SHOWN ARE FOR REFERENCE ONLY UNLESS OTHERWISE SPECIFIED.
 3. MATERIAL: HOUSING, COVER AND CABLE CLAMP - THERMOPLASTIC
TERMINALS - GOLD OVER NICKEL PLATED HIGH STRENGTH COPPER ALLOY.
HARDWARE - ZINC PLATED STEEL.
 4. COVER AND HARDWARE SHIPPED UNASSEMBLED.
 5. WIRE SIZE: 22 AWG SOLID OR 22 AWG 7 STRANDS OF COPPER CONDUCTORS. MAX INSULATION DIAMETER OF .045 IS ACCEPTABLE FOR MOST APPLICATIONS.
 6. KIT SHIPPED IN POLY BAG FORM.
- △ CORING MAY OR MAY NOT APPEAR AND IS AT THE DISCRETION OF AMP INCORPORATION.



.500-.550 DIA	BLACK	552383-1
CABLE RANGE	COLOR	PART NO

UNLESS OTHERWISE SPECIFIED DIMENSIONS ARE IN INCHES. TOLERANCES ON: DECIMALS ± # ANGLES ± #	CONTRACT NO	 AMP INCORPORATED Harrisburg, Pa.		
	DR <i>Stephen Doss</i> 5-4-81			
	MATERIAL	APPD <i>5/10/81</i>	NAME KIT, RECEPTACLE, 50 POSITION, C SLOT (CHAMP-LOK, SCREW LOCK, TAPERED COVER)	
	FINISH	APPD <i>5/10/81</i>	DSGN APPD	OTHER APPD
		SIZE	CODE IDENT NO	DRAWING NO
		C	00779	552383
		SCALE	SHEET	
		2/1	1 OF 1	

552383

单击下面可查看定价，库存，交付和生命周期等信息

[>>TE Connectivity\(泰科\)](#)