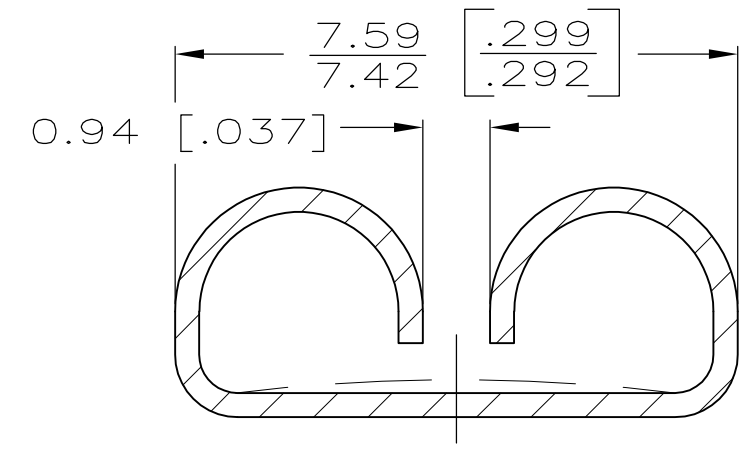
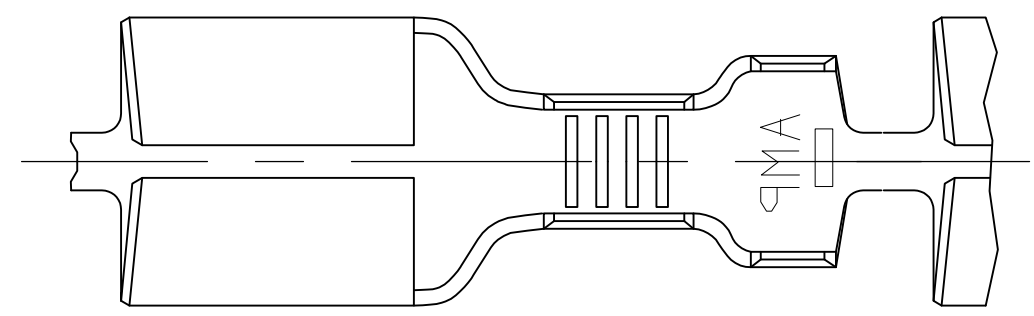


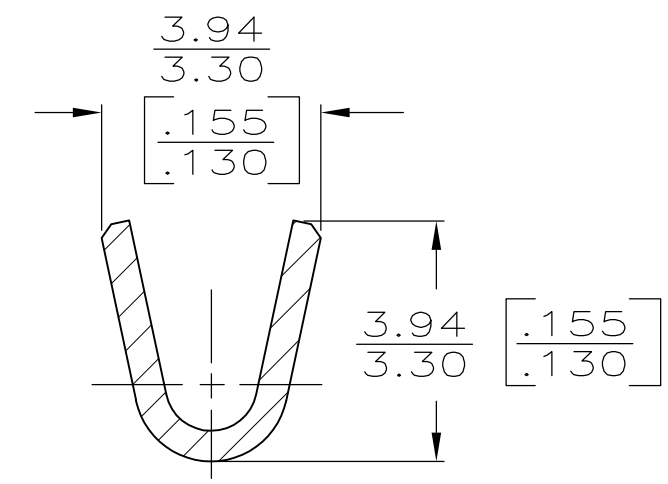
THIS DRAWING IS UNPUBLISHED. RELEASED FOR PUBLICATION  
 © COPYRIGHT - By - ALL RIGHTS RESERVED.

REVISIONS				
P	LTR	DESCRIPTION	DATE	APVD
D1		REVISED PER ECR-15-016360	10MAR2016	NK LP

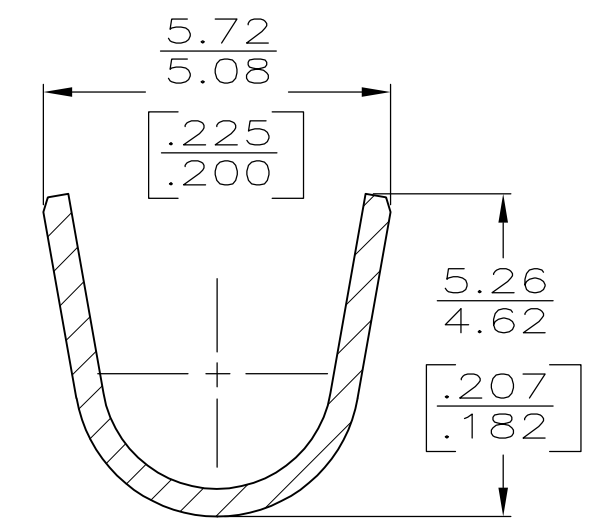
- 1 CONTINUOUS STRIP ON REELS.
- 2 MATING TAB TO BE  $0.81 \pm 0.025$   $[\cdot 032 \pm \cdot 001]$ .
- 3 WIRE SIZE IS  $[\#20-\#14]$  AWG.
- 4 INSULATION RANGE IS 2.16-3.43  $[\cdot 085-\cdot 135]$  DIA.
- 5 PRELIMINARY - NOT FOR PRODUCTION



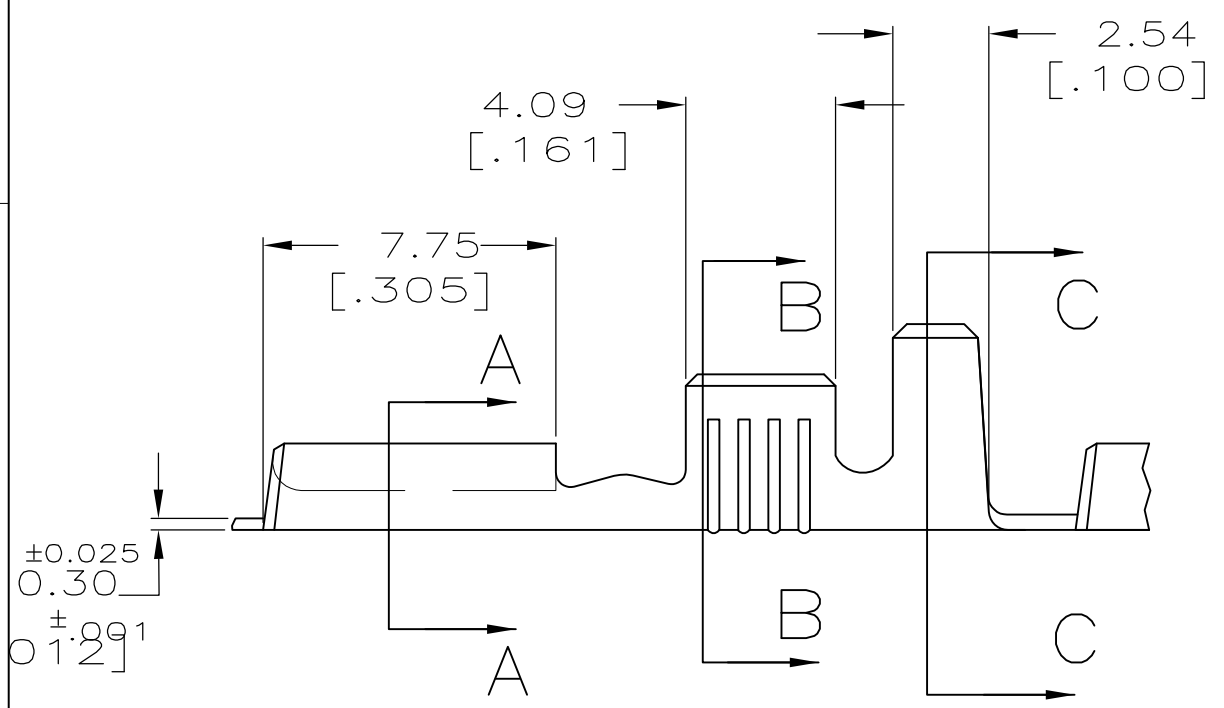
SECTION A-A  
SCALE 10:1



SECTION B-B  
SCALE 8:1



SECTION C-C  
SCALE 8:1



OBSOLETE	PLAIN	5 63648-3
	TIN - STRESS RELIEVED	-63648-2
	PLAIN - STRESS RELIEVED	63648-1
	FINISH	PART NO

THIS DRAWING IS A CONTROLLED DOCUMENT.		DWN	JR RUTH	4/3/92	TE Connectivity RECEPTACLE, FASTON, 6.35 [.250] SERIES											
DIMENSIONS: mm [INCHES]		CHK	MS FEHER	4/3/92												
TOLERANCES UNLESS OTHERWISE SPECIFIED:		APVD	C MEYERS	4/3/92												
<table border="0"> <tr><td>0 PLC</td><td>± -</td></tr> <tr><td>1 PLC</td><td>± -</td></tr> <tr><td>2 PLC</td><td>± 0.25 [.010]</td></tr> <tr><td>3 PLC</td><td>± -</td></tr> <tr><td>4 PLC</td><td>± -</td></tr> <tr><td>ANGLES</td><td>± -</td></tr> </table>		0 PLC	± -	1 PLC		± -	2 PLC	± 0.25 [.010]	3 PLC	± -	4 PLC	± -	ANGLES	± -	PRODUCT SPEC	-
0 PLC	± -															
1 PLC	± -															
2 PLC	± 0.25 [.010]															
3 PLC	± -															
4 PLC	± -															
ANGLES	± -															
MATERIAL	BRASS	FINISH	SEE TABLE	WEIGHT	0											
CUSTOMER DRAWING		SIZE	A3	CAGE CODE	00779											
SCALE		5:1	DRAWING NO	C-63648												
SHEET		1 OF 1	RESTRICTED TO	-												
REV		D1														

单击下面可查看定价，库存，交付和生命周期等信息

[>>TE Connectivity\(泰科\)](#)