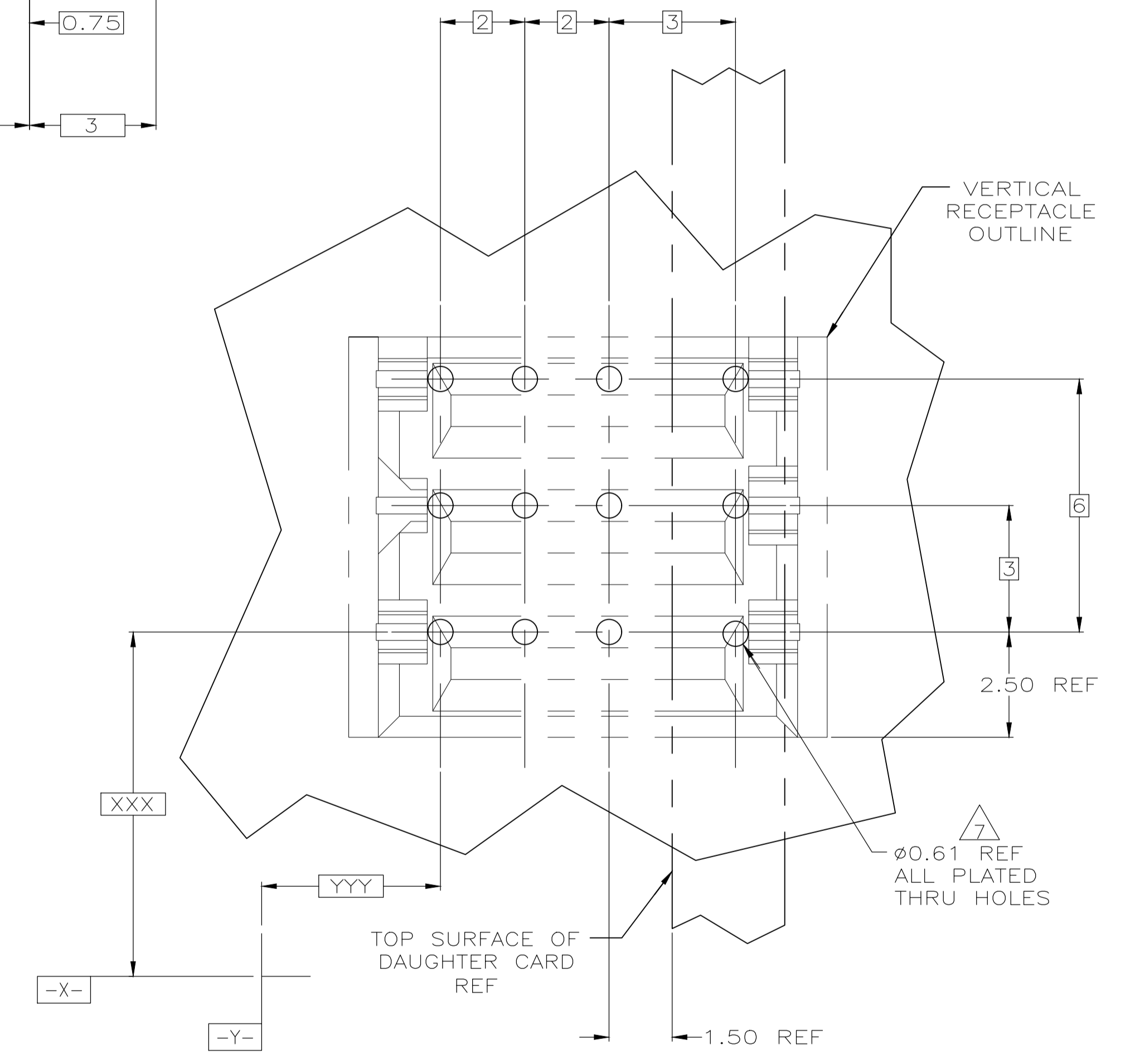
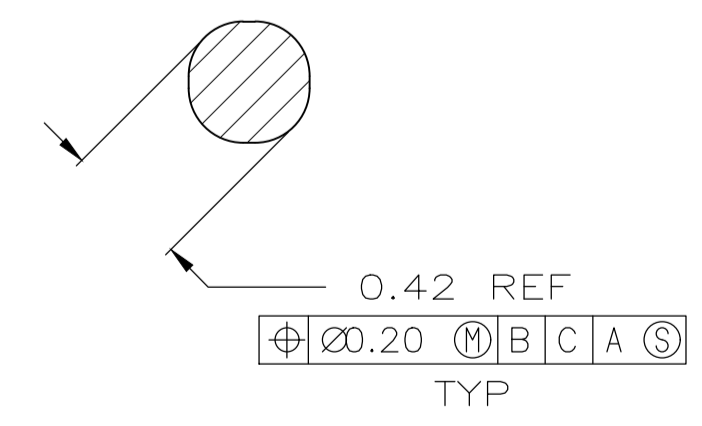
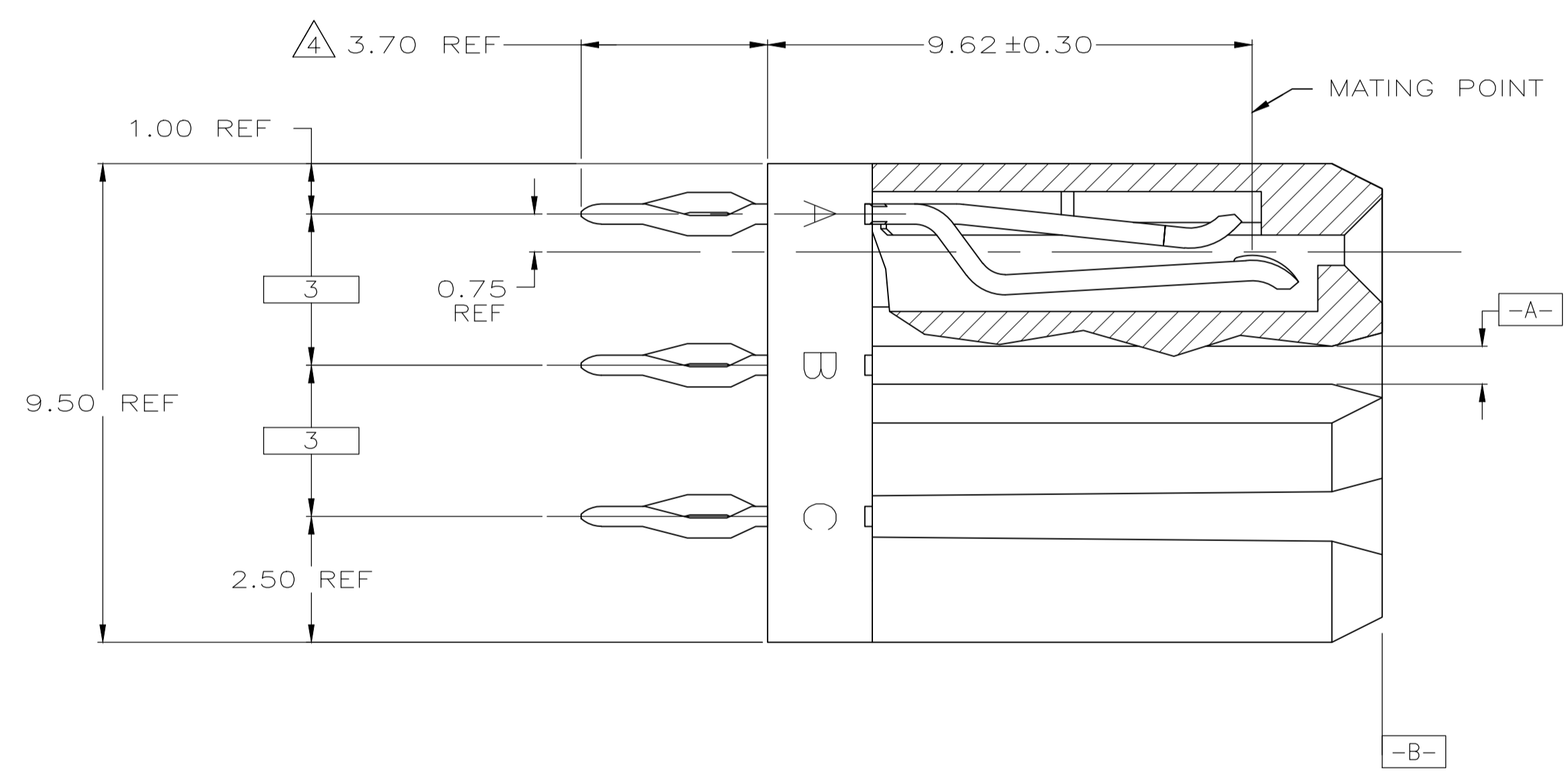


- 1 MATERIAL: HOUSING: POLYESTER. COLOR: GRAY. 94V-0. CONTACT: PHOSPHOR BRONZE.
- 2 FINISH: IN ACCORDANCE WITH PRODUCT SPECIFICATION 108-1651, GOLD PLATING OR EQUIVALENT PLATING ON PRODUCT CONTACT MATING AREA, AND MATTE TIN PLATING ON COMPLIANT PIN AREA, ALL OVER MATTE NICKEL UNDERPLATED. DETAIL PLEASE REFER TO PRODUCT SPECIFICATION 108-1651.
- 3 FINISH: CONTACT LUBRICATION WITH BELLCORE APPROVED LUBRICANT. TECHNICAL REFERENCE: TR-NWT-001217 ISSUE 1, SEPT 1992.
- 4 TOLERANCE TO BE ±0.28 AFTER CONNECTOR IS APPLIED TO P.C. BOARD.
- 5 RESTRICTED PART NUMBER, CONTACT ENGINEERING.
- 6 MATERIAL: HOUSING: POLYESTER. COLOR: GRAY. 94V-0. CONTACT: HIGH CURRENT COPPER ALLOY
- 7 REFERENCE APPLICATION SPEC 114-1103 FOR RECOMMENDED PLATED THRU HOLE DIAMETER AND PLATING THICKNESS.
- 8 CURRENT RATING 10A/CONTACT FOR PHOS BRONZE CONTACTS AND 16A/CONTACT FOR HIGH CURRENT COPPER ALLOY CONTACTS PER PRODUCT SPEC 108-1651.
- 9 P/N 5-5223955-5 SAME AS P/N 5-5223955-2, DIFFERENT TRAY PACKAGE FOR GRIPPER.



RECOMMENDED PCB HOLE LAYOUT

UPM HC POWER	1 2 3 6	5-5223955-5
UPM HC POWER	2 3 6	5-5223955-2
UPM STD POWER	1 2 3 5	5223955-8
UPM STD POWER	1 2 3	5223955-2
DESCRIPTION	MATERIAL & FINISH	PART NUMBER

THIS DRAWING IS A CONTROLLED DOCUMENT.

DIMENSIONS: mm	TOLERANCES UNLESS OTHERWISE SPECIFIED:	DIN B. CARDO 108EC04	108EC04
0. PLC ± -	1. PLC ± 0.3	CHK R. PATTERSON 108EC04	108EC04
1. PLC ± 0.3	2. PLC ± 0.13	APP'D R. PATTERSON 108EC04	108EC04
2. PLC ± 0.13	3. PLC ± 0.100	NAME	NAME
3. PLC ± 0.100	4. PLC ± - 5°	PRODUCT SPEC	108-1651
4. PLC ± - 5°		APPLICATION SPEC	114-1103
MATERIAL SEE TABLE	FINISH SEE TABLE	SIZE	A1
		CAGE CODE	00779
		DRAWING NO	5223955
		RESTRICTED TO	
		WEIGHT	
		CUSTOMER DRAWING	

STE TE Connectivity

VERTICAL RECEPTACLE POWER CONNECTOR UNIVERSAL POWER MODULE

SCALE 10:1 SHEET 1 OF 1 REV P2

单击下面可查看定价，库存，交付和生命周期等信息

[>>TE Connectivity\(泰科\)](#)