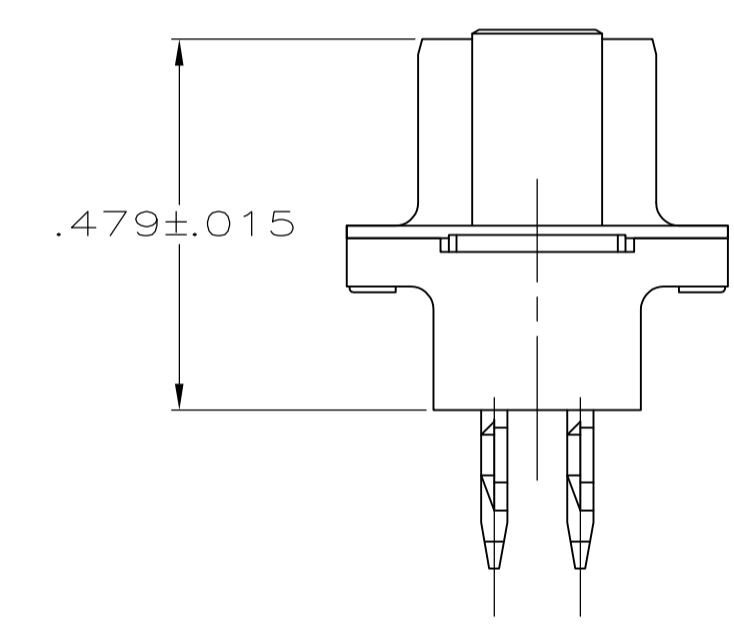
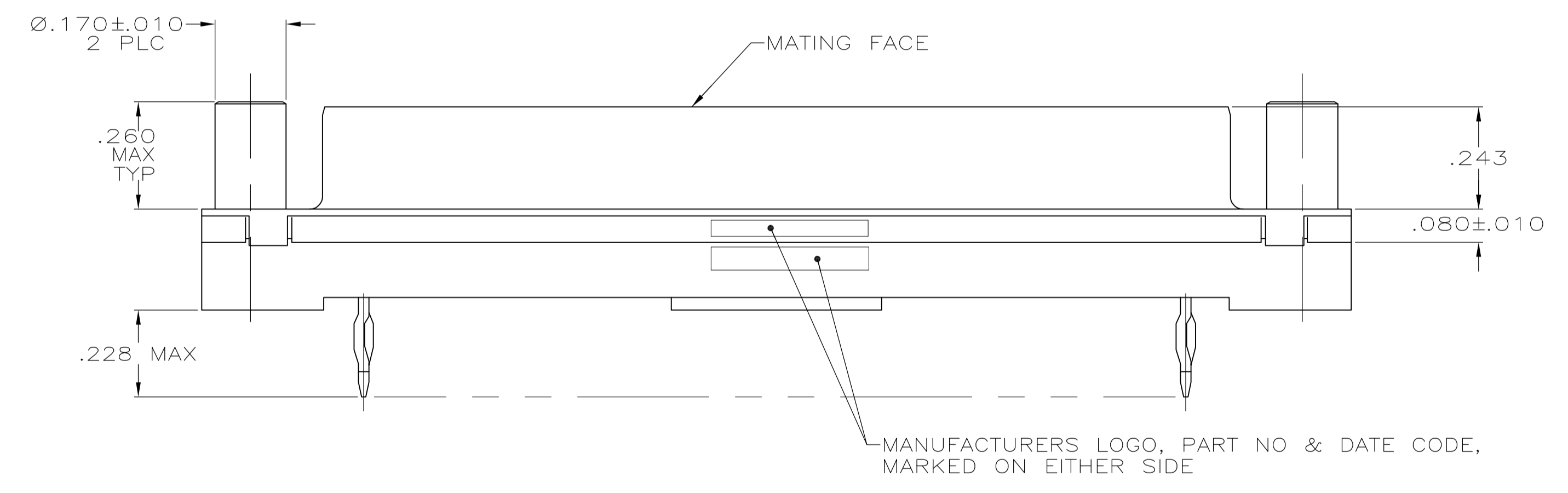
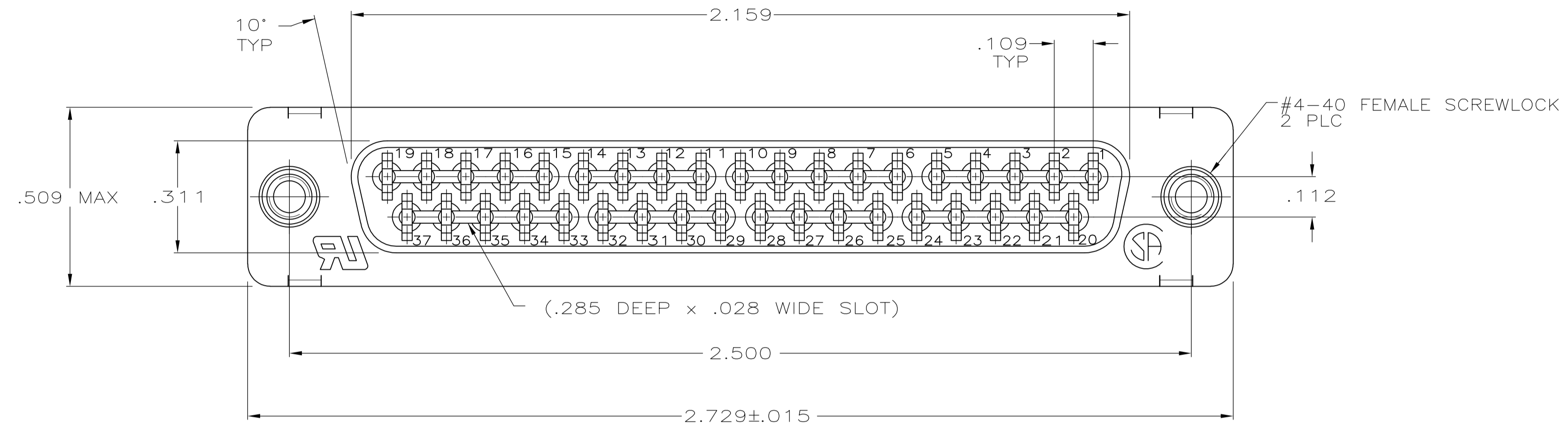


LOC		DIST		REVISIONS			
GP	00	REV	DATE	BY	APPV	DATE	BY
C		REVISED PER ECO-12-000090	26JAN2012	CJV	SLB		



- 1 FOR USE WITH .093 MINIMUM THICK PRINTED CIRCUIT BOARD. REFER TO APPLICATION SPECIFICATION FOR PRINTED CIRCUIT BOARD LAYOUT DIMENSIONS AND FINISH RECOMMENDATIONS.
- 2 SHELL: .0002 MIN BRIGHT TIN OVER .000100 MIN COPPER. SCREWLOCKS: CLEAR CHROMATE
- 3 HOUSING: FLAME RETARDANT, UL 94V-0 RATED, THERMOPLASTIC; COLOR: BLACK. SHELL: CARBON STEEL CONTACTS: COPPER ALLOY SCREWLOCKS: ZINC ALLOY
- 4 CONTACTS:  
 0.76 MICRO METERS [.000030] MINIMUM GOLD IN MATING AREA.  
 2.54 MICRO METERS [.000100] MINIMUM TIN ON COMPLIANT PIN.  
 ALL OVER 1.27 MICRO METERS [.000050] MINIMUM NICKEL.  
 OR  
 GOLD FLASH OVER PALLADIUM NICKEL.  
 0.76 MICRO METERS [.000030] MINIMUM TOTAL IN MATING AREA.  
 2.54 MICRO METERS [.000100] MINIMUM TIN ON COMPLIANT PIN.  
 ALL OVER 1.27 MICRO METERS [.000050] MINIMUM NICKEL.

5747715-2  
PART NUMBER

THIS DRAWING IS A CONTROLLED DOCUMENT. DIMENSIONING AND TOLERANCING PER ASME Y14.5M-2009		DWN: A. FERNANDEZ-DOCKS 04-01-05 CHK: S. BOLASH 04-01-05 APVD: M. WALMSLEY 04-01-05	NAME: RCPT ASSY, SIZE 4, 37 POSN, AMPLIMITE HD-20, MDM PROFILE, W/ ACTION PIN CONT & METAL SHELL. PRODUCT SPEC: 108-40014 APPLICATION SPEC: 114-40026	SIZE: A1 CAGE CODE: 00779 DRAWING NO: 5747715	RESTRICTED TO: - SCALE: 4:1 SHEET: 1 OF 1 REV: C
DIMENSIONS: INCHES TOLERANCES UNLESS OTHERWISE SPECIFIED: 0 PLC ± - 1 PLC ± - 2 PLC ± - 3 PLC ± .005 4 PLC ± - ANGLES ± °		MATERIAL: 3 FINISH: 2 4			

单击下面可查看定价，库存，交付和生命周期等信息

[>>TE Connectivity\(泰科\)](#)