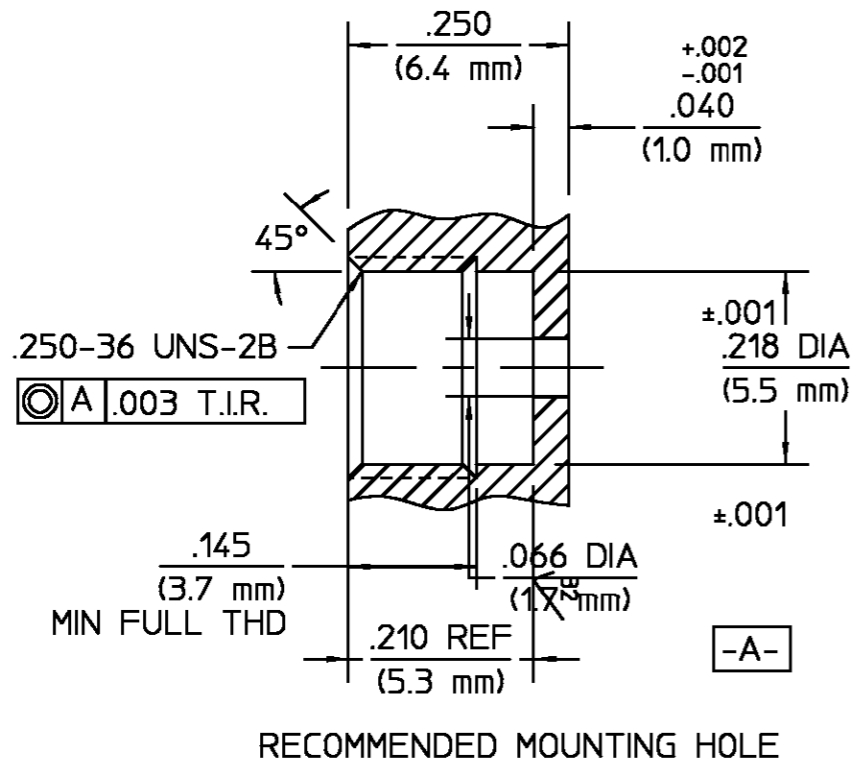
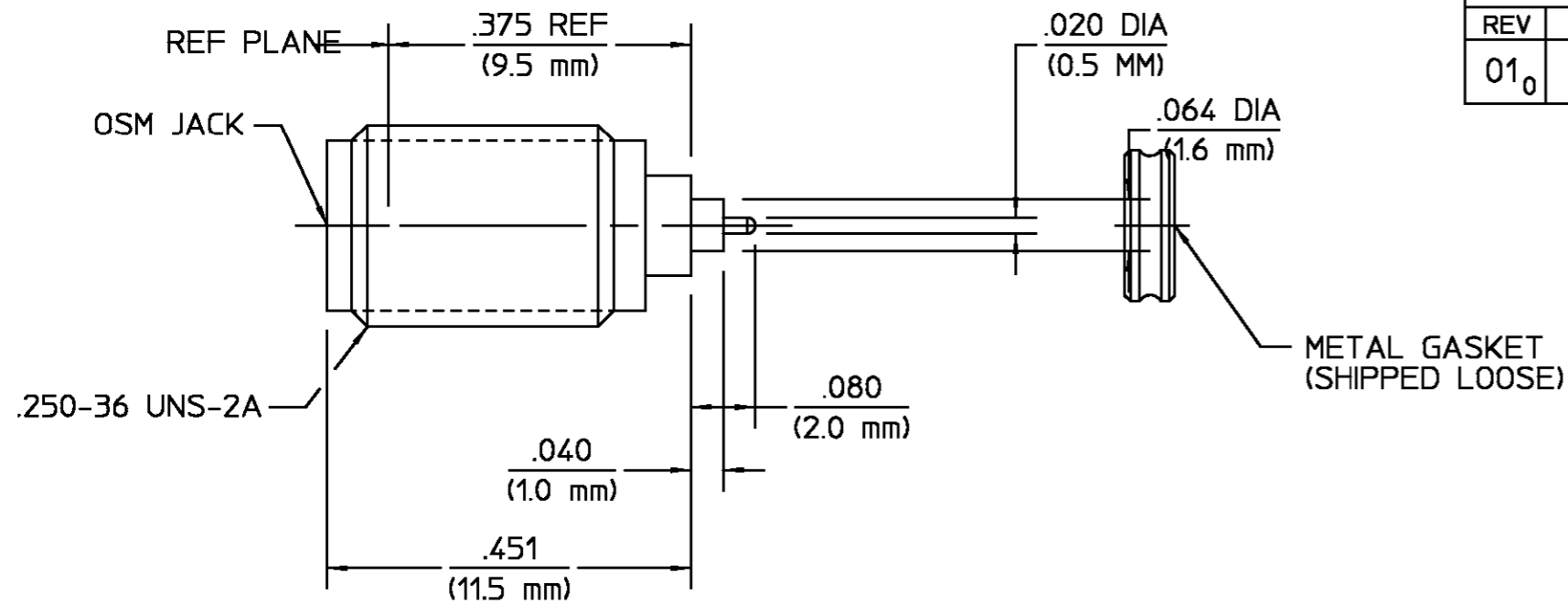


REVISIONS			
REV	DESCRIPTION	DATE	APPROVED
01 ₀	RELEASED	12/6/88	N.BRODEUR



NOTES:

1. CAPTURED CENTER CONTACT

HOUSING	STAINLESS STEEL PER ASTM-A484 AND ASTM-A582, TYPE 303	GOLD PLATE PER MIL-G-45204
DIELECTRIC	TFE FLUOROCARBON PER ASTM-D-1457	N/A
CTR CONTACT	BERYLLIUM COPPER PER ASTM-B196 OR ASTM-B197 ALLOY C17300, COND H	GOLD PLATE PER MIL-G-45204
CONTACT EXT BUSHING	IRON-NICKEL-COBALT ALLOY PER MIL-I-23011 (KOVAR)	GOLD PLATE PER MIL-G-45204
METAL GASKET	IRON-NICKEL-COBALT ALLOY PER MIL-I-23011 (KOVAR)	TIN PLATE PER MIL-T-10727
HERMETIC SEAL	GLASS BEAD	N/A

COMPONENT	MATERIAL	FINISH		
UNLESS OTHERWISE SPECIFIED DIMENSIONS ARE IN INCHES TOLERANCE ON	DRAWN BY K.C.MAHER DATE 12/6/88	AMP Incorporated 140 Fourth Avenue Waltham, MA 02451-7599		
FRAC DEC ANGLES	CHECKED BY BB 12/6/88			
+ 1/64 +.005 + °	APPROVED BY N.BRODEUR 12/6/88			
These drawings and specifications are the property of Omni Spectra Incorporated and shall not be reproduced or copied or used in whole or in part as the basis for the manufacture or sale of item(s) without written permission.	USE ASSY PROCEDURE 408-04847 NO. A.P. (20-600)	AMP TITLE OSM ENVIRONMENTALLY DURABLE SPARK PLUG HERMETICALLY SEALED		
	SIZE B	CODE IDENT NO. 26805	2058-3415-00	REV 01 ₀
	SCALE 5:1	SHEET 1 OF 1		

CUSTOMER DRAWING

AMP PART # 1053181-1
SHEET 1 OF 1 REV A

单击下面可查看定价，库存，交付和生命周期等信息

[>>TE Connectivity\(泰科\)](#)