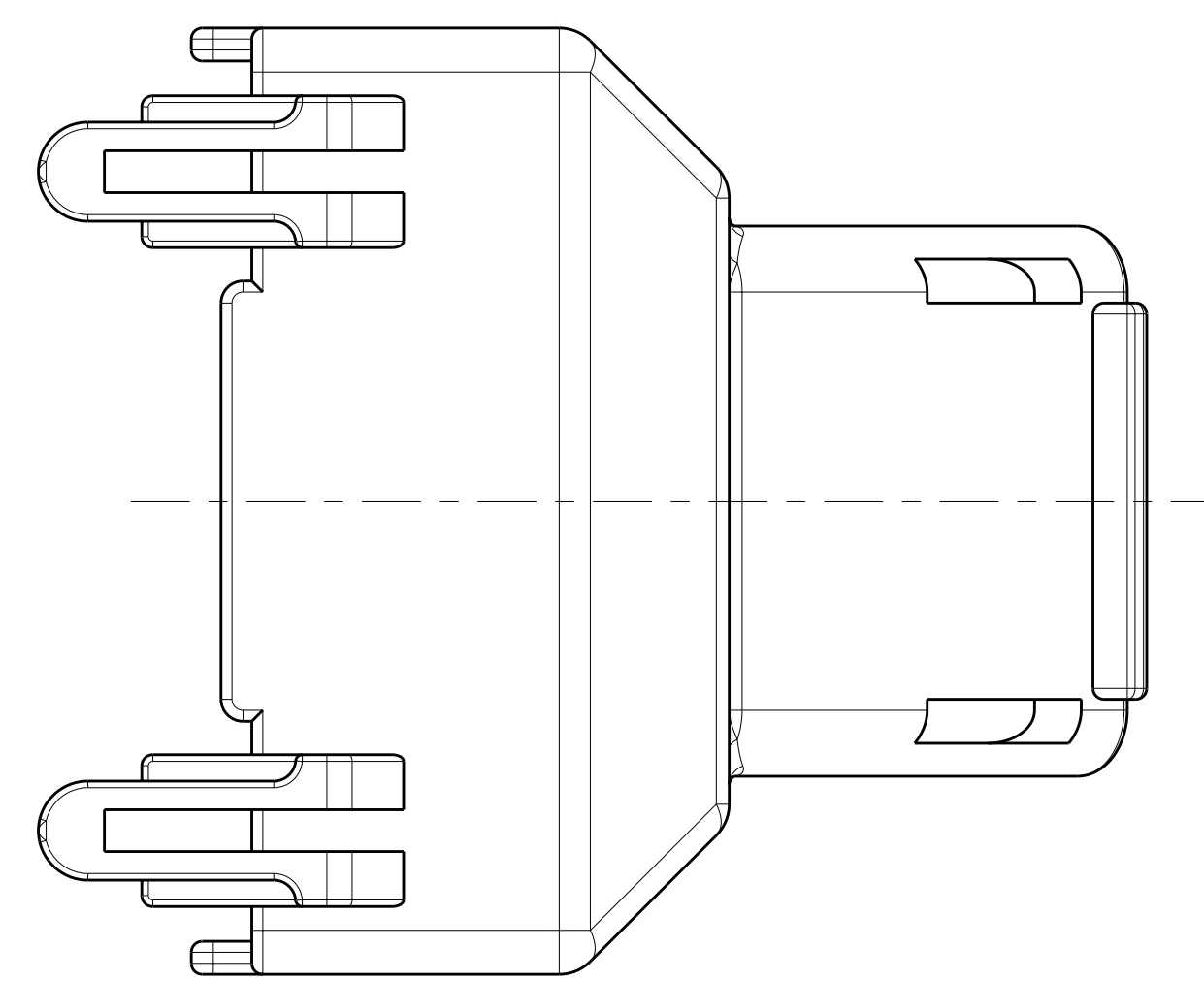
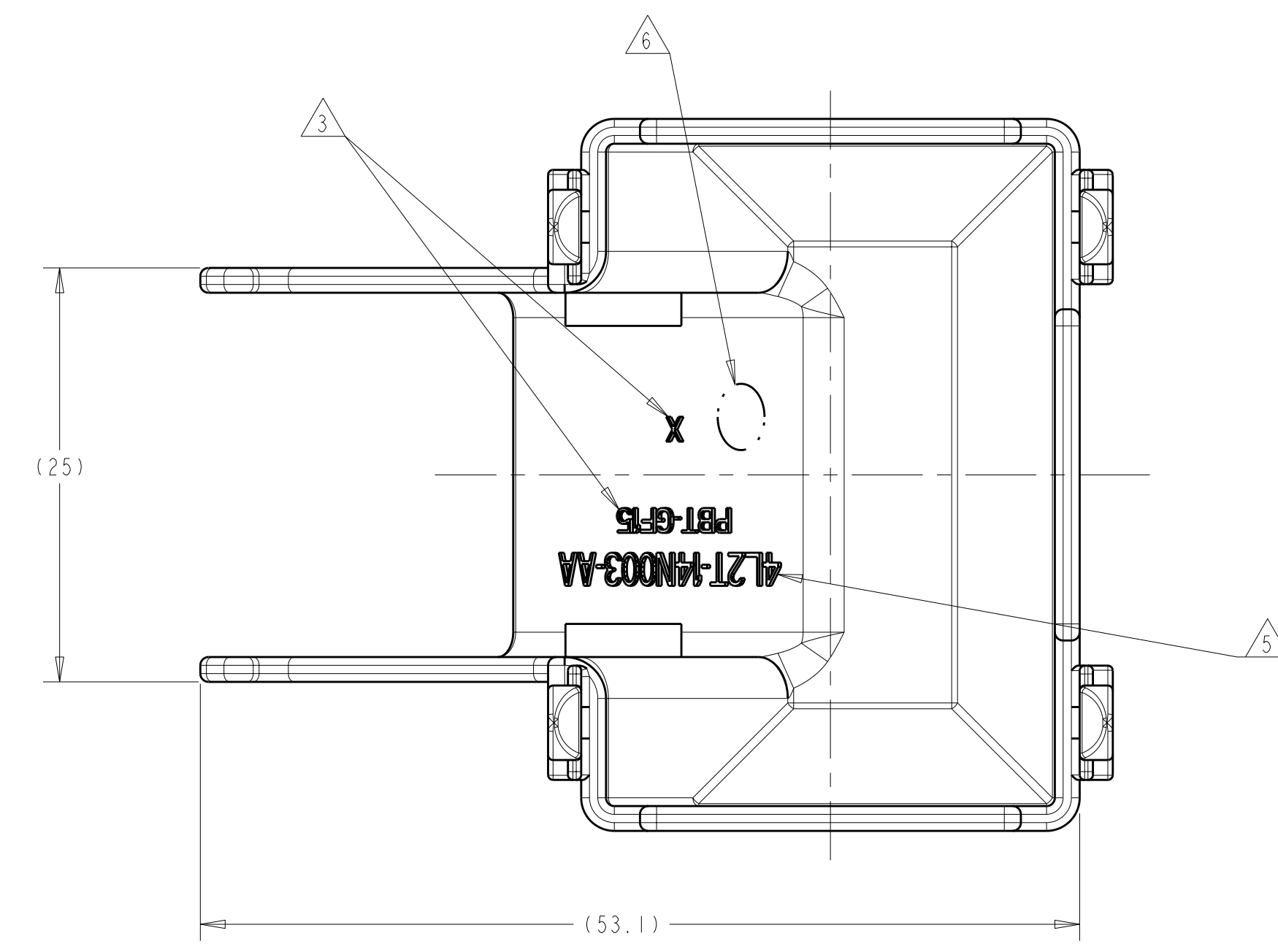
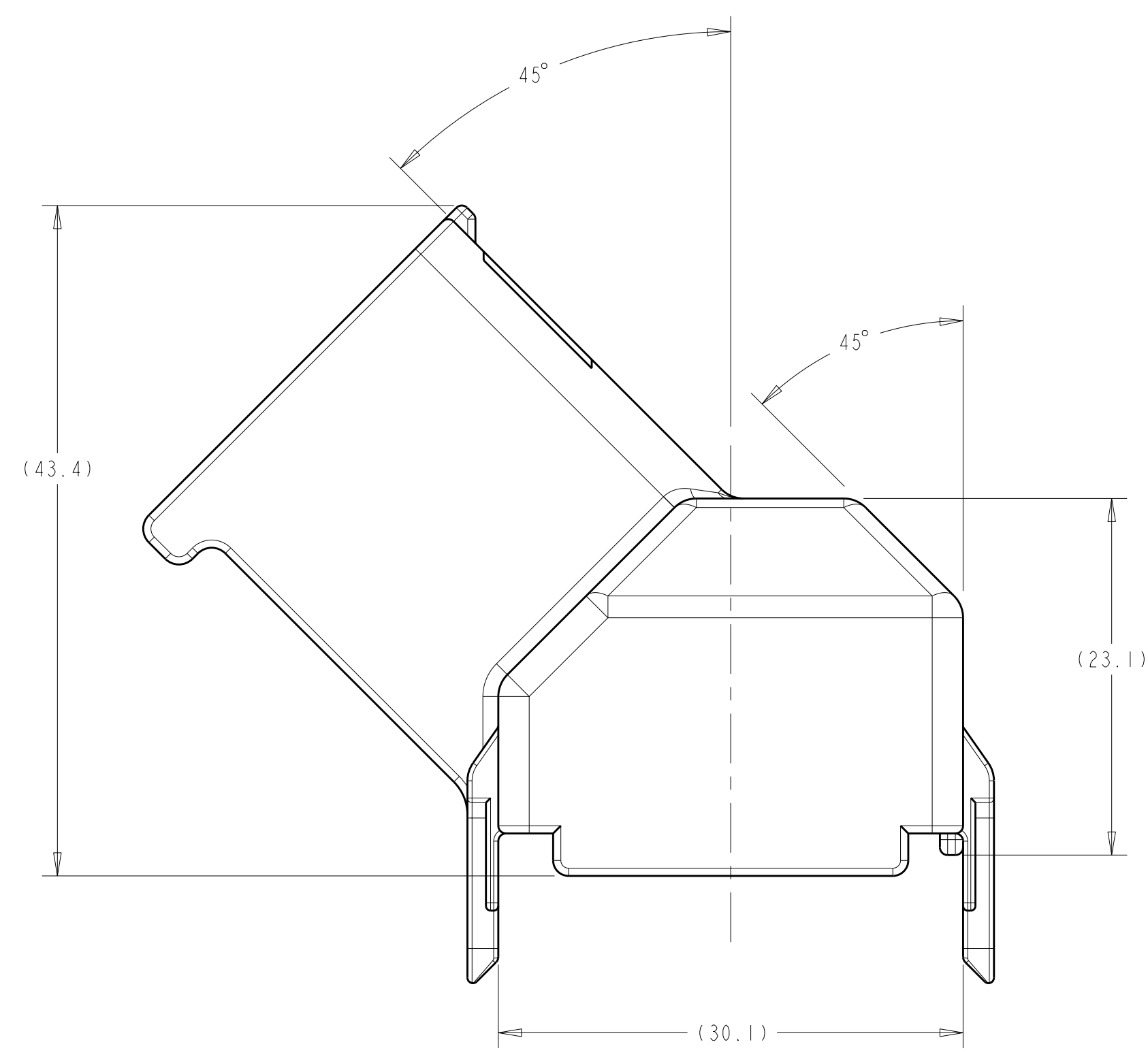
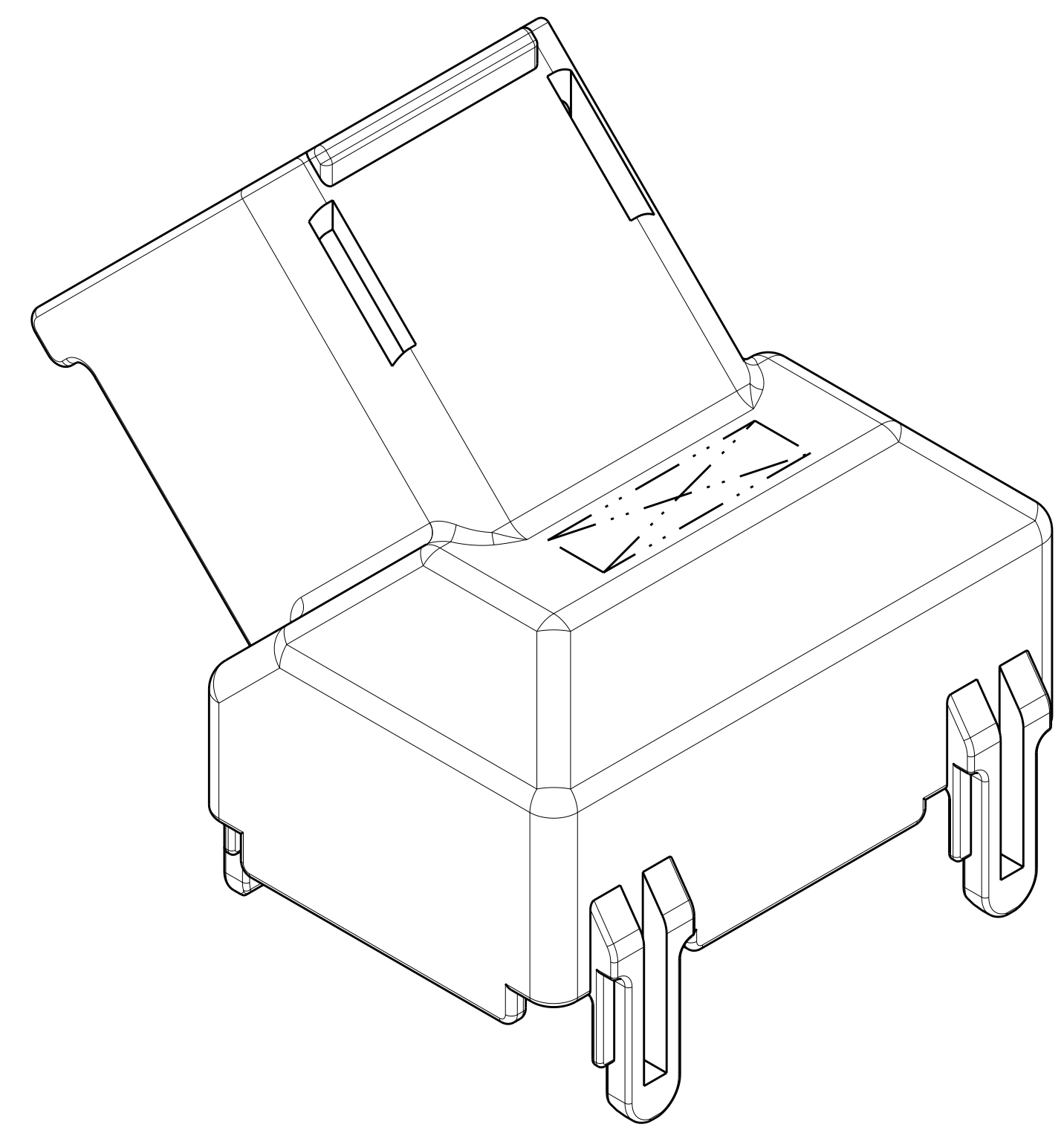
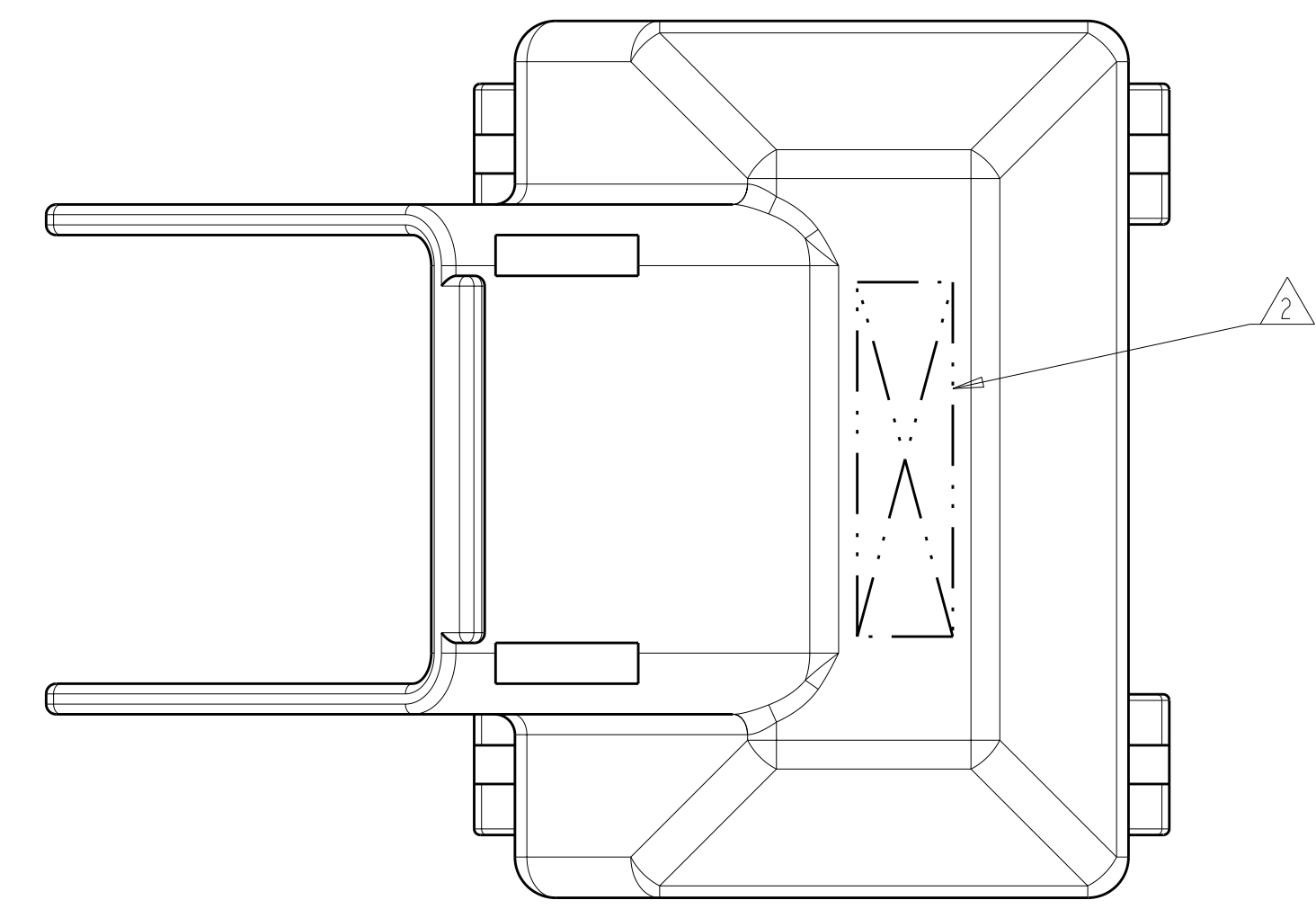


LOC	DIST	REV	DATE	BY	CHK	APPV
FX	00	A	23MAR2006	RGV	TJV	
		A1	10AUG2010	HM	DCM	

- 1 MATERIAL: PBT-GF15
COLOR: BLACK
- 2 COMPANY LOGO LOCATED APPROXIMATELY AS SHOWN.
- 3 MOLD CAVITY I.D. & RECYCLING CODE >PBT-GF15< AS SHOWN.
- 4 25% MAXIMUM REGRIND.
- 5 PART NUMBERS APPROXIMATELY AS SHOWN AS STATED IN PART NUMBER TABLE.
- 6 DATE CODE APPROXIMATELY AS SHOWN.



4L2T-14N003-AA	1488572-1
CUSTOMER PART NO.	PART NUMBER

DIMENSIONS: mm 		TOLERANCES UNLESS OTHERWISE SPECIFIED: 0 PLC ± 1 PLC ±0.3 2 PLC ±0.10 3 PLC ± 4 PLC ± ANGLES ±1°		DWN R. VESTAL 23MAR2006 CHK T. VALASEK 23MAR2006 APPV T. VALASEK 23MAR2006	
MATERIAL: PBT-GF15 FINISH:		PRODUCT SPEC: APPLICATION SPEC:		NAME: Tyco Electronics Tyco Electronics Harrisburg, PA 17105-3608	
WEIGHT:		SIZE: CAGE CODE: DRAWING NO: A1 00779 C=1488572		RESTRICTED TO:	
CUSTOMER DRAWING				SCALE: 3:1 SHEET 1 OF 1 REV A1	

单击下面可查看定价，库存，交付和生命周期等信息

[>>TE Connectivity\(泰科\)](#)