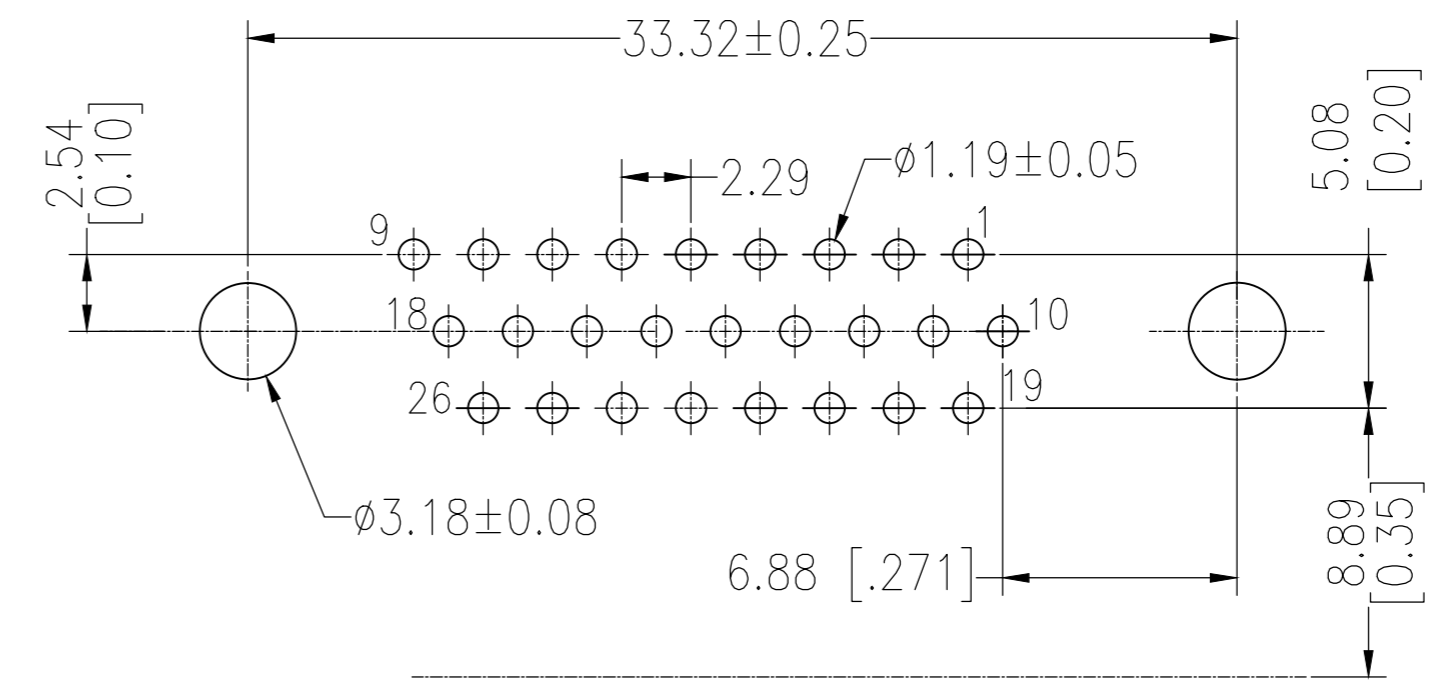
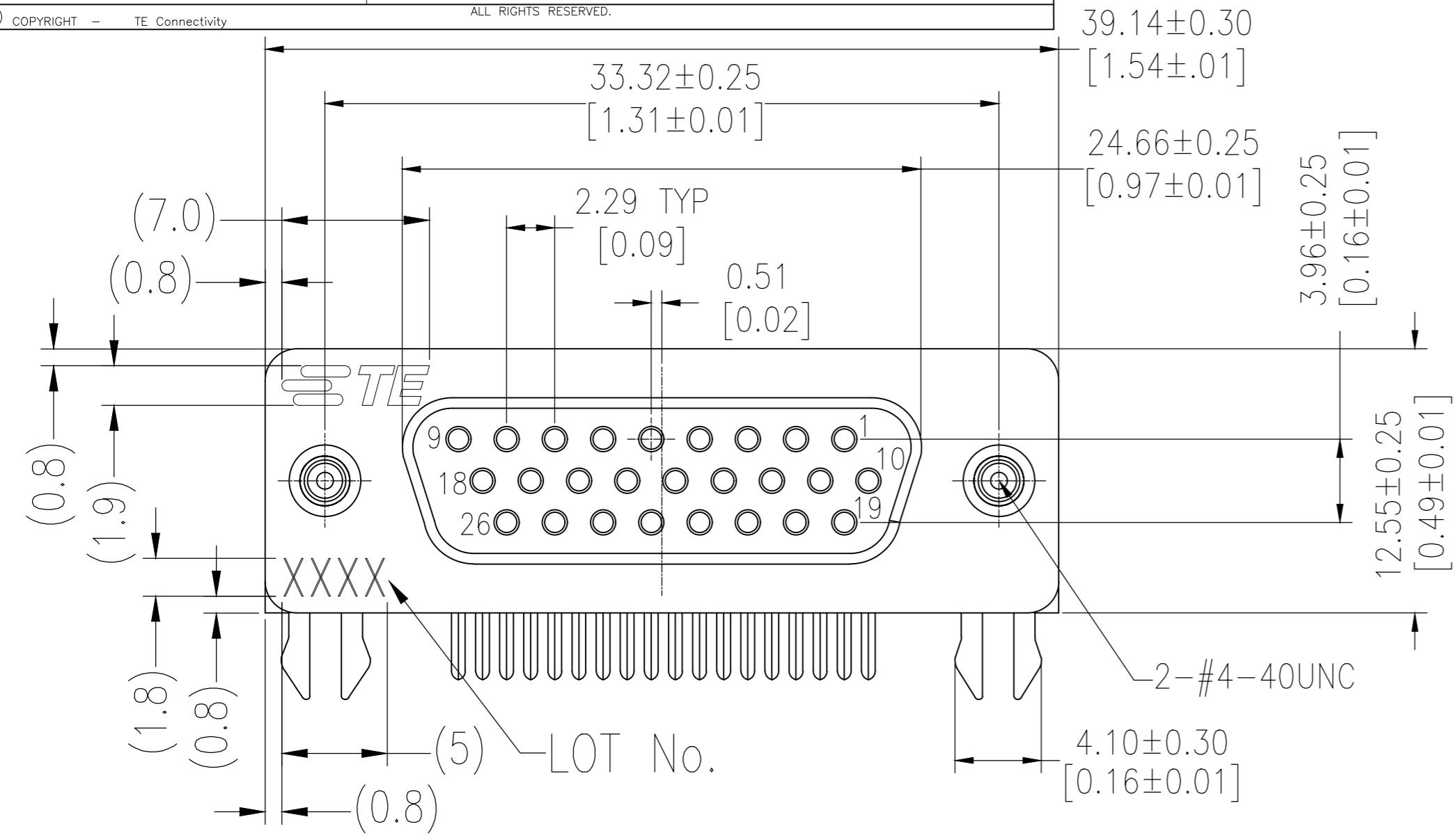


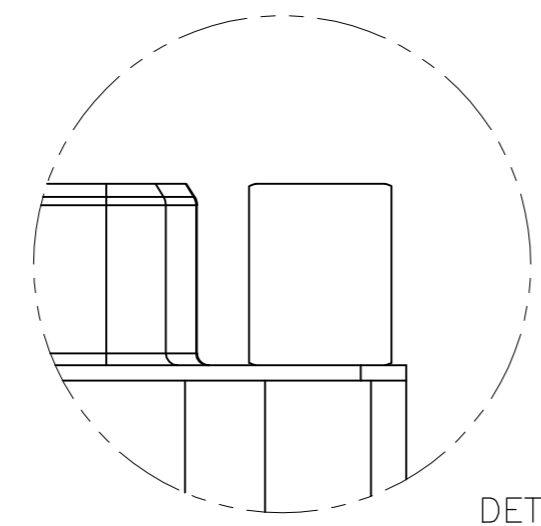
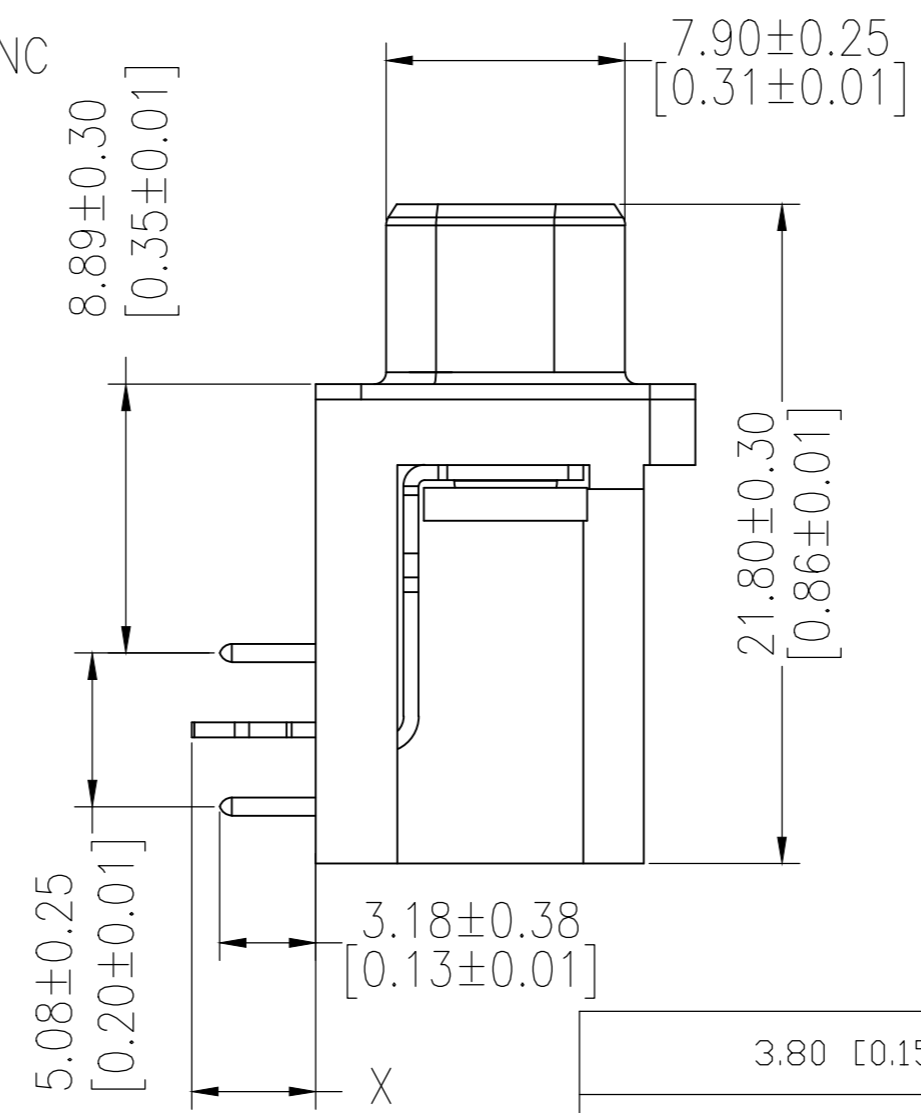
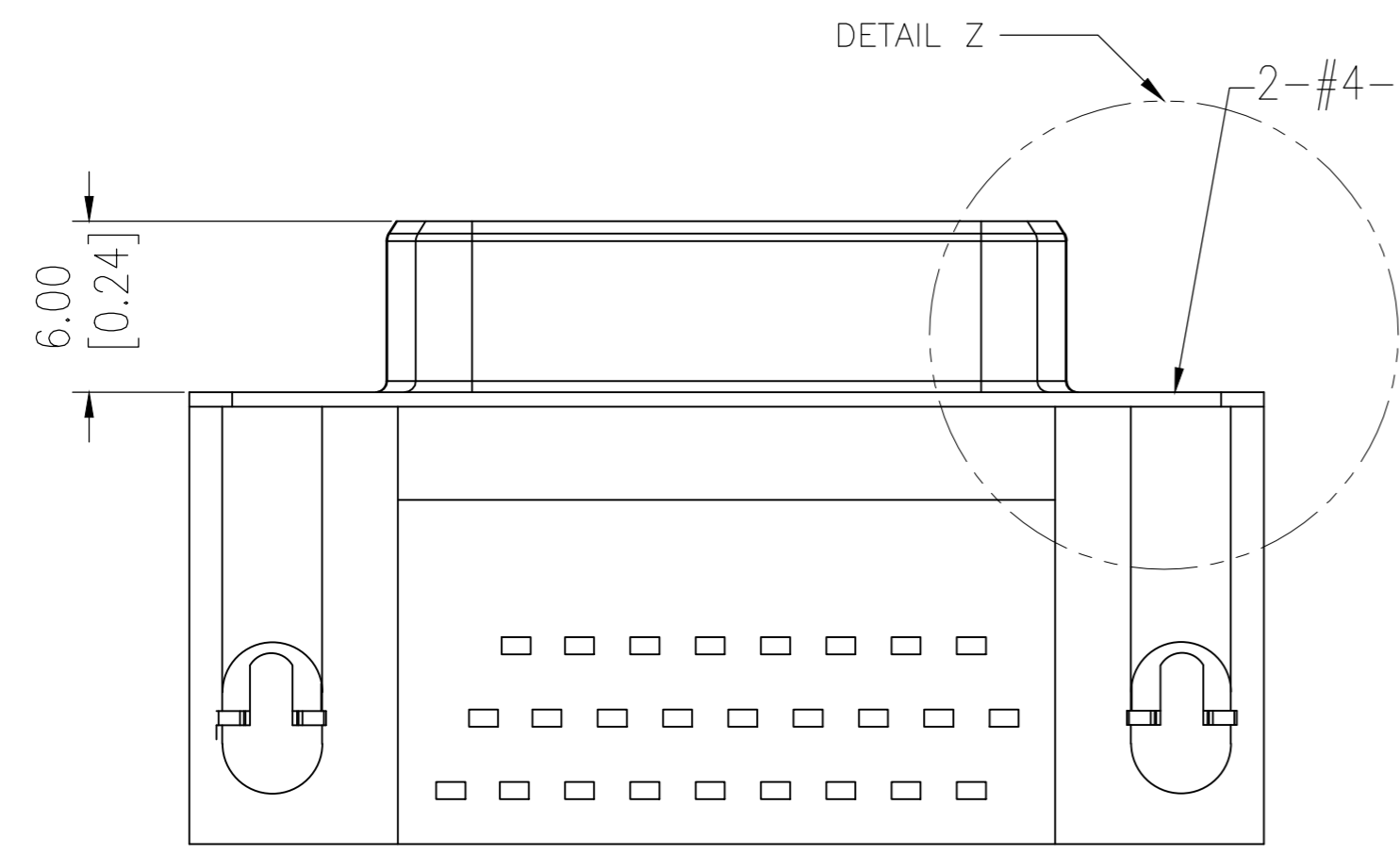
THIS DRAWING IS UNPUBLISHED. RELEASED FOR PUBLICATION  
 © COPYRIGHT - TE Connectivity ALL RIGHTS RESERVED.

REVISIONS				
P	LTR	DESCRIPTION	DATE	APVD
E		REVISED PER ECO-18-008015	24MAY2018	AP DG

Recommended P.C.B Layout(Top Side)  
 (PCB BOARD TOLERANCE±0.05)



NOTES:  
 Insulator:PBT+G.F UL94V-0 BLACK  
 Contact:PHOSPHOR BRONZE  
 " GOLD PLATING ON CONTACT AREA  
 100u" MATTE TIN PLATING ON SOLDER TAIL  
 50u" NICKEL UNDERPLATED OVERALL  
 Holddown:Brass,100u" TIN OVER 50u" NICKEL  
 Sheel: Cold Roller Steel, Ni Plated  
 Rivetlock:Brass,Nickel Plated  
 LOT NUMBER "XXXX"  
 -Stands For Calendar Year  
 -Stands For Week Number



3.80 [0.150]	YES SEE DETAIL Z	30μ" Au	2311768-2
4.10 [0.161]	THREADED	30μ" Au	2311768-1
X ± 0.30 [± 0.012]	SCREWLOCK	Contact Area	P/N
BOARDLOCK LENGTH		Plating	

THIS DRAWING IS A CONTROLLED DOCUMENT.		DWN 11MAR2017 AJITH PAI		
DIMENSIONS: mm		CHK 11MAR2017 DANIEL GORENC		
TOLERANCES UNLESS OTHERWISE SPECIFIED:		APVD 11MAR2017 DANIEL GORENC	NAME AMPLIMITE RECEPTACLE, HD22, RIGHT ANGLE, 26P	
0 PLC ± -	1 PLC ± -	PRODUCT SPEC 108-130023	SIZE CAGE CODE DRAWING NO RESTRICTED TO	
2 PLC ± 0.25	3 PLC ± -	APPLICATION SPEC	A2 00779 C=2311768	
4 PLC ± -	ANGLES ± -	WEIGHT	SCALE 1:1 SHEET 1 OF 1 REV E	
MATERIAL	FINISH	CUSTOMER DRAWING		

单击下面可查看定价，库存，交付和生命周期等信息

[>>TE Connectivity\(泰科\)](#)