

THIS DRAWING IS UNPUBLISHED. RELEASED FOR PUBLICATION
 © COPYRIGHT BY TYCO ELECTRONICS CORPORATION. ALL INTERNATIONAL RIGHTS RESERVED.

| | | | | | | | |
|-----|------|-----------|-----|---------------------------|---------|-----|------|
| LOC | DIST | REVISIONS | | | | | |
| FT | 0 | P | LTR | DESCRIPTION | DATE | DWN | APVD |
| | | A | | REVISED PER ECO-10-013614 | 13OCT10 | HMR | CR |

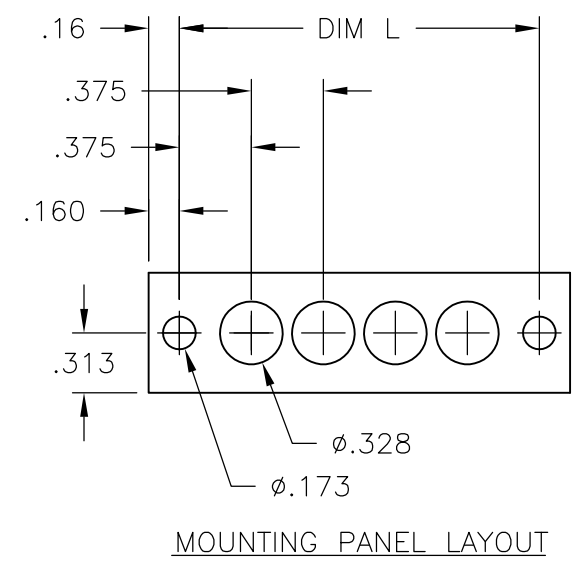
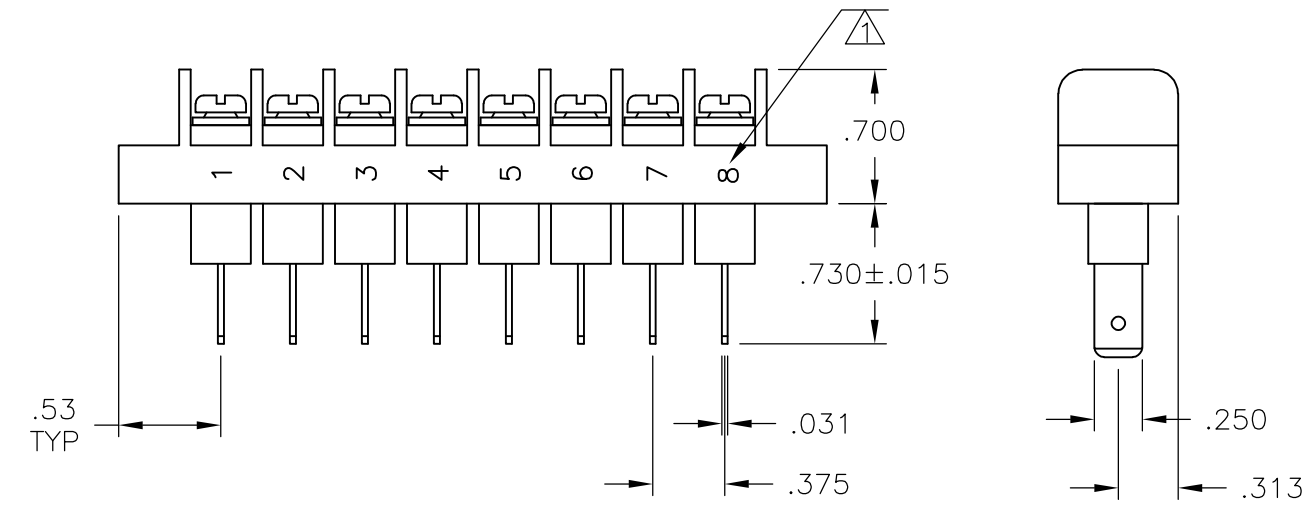
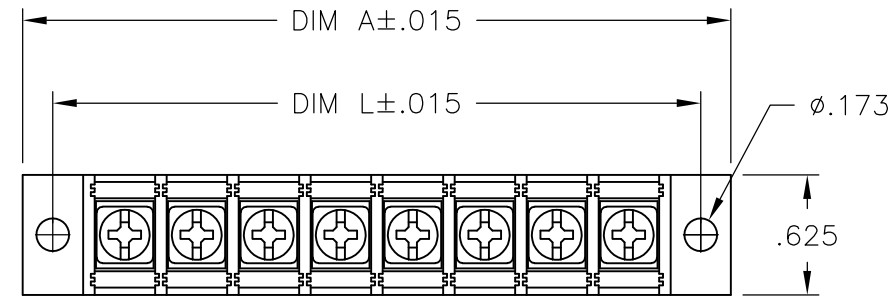
NOTES:

MATERIAL:
 HOUSING: THERMOPLASTIC, UL94V-0, BLACK.
 TERMINALS: BRIGHT TIN OVER COPPER ALLOY.
 SCREWS: #6-32 STEEL, ZINC PLATING W/ CLEAR CHROMATE, EXCEPT WHERE NOTED OTHERWISE.

ELECTRICAL:
 RATED CURRENT UL/CSA:
 CLASS C: 20A, 300V.
 CLASS D: 5A, 600V.
 WIRE RANGE: 12-22 AWG.

MECHANICAL:
 RECOMMENDED TORQUE: 7 IN-LB.
 OPERATING TEMP.: 105°C MAX.

△ WHITE INK MARKING.



| | | | | |
|--------|--------|-------------|-----------------|-------------|
| 3.375 | 3.689 | 8 | JC6-Q308-08-131 | 7-1437665-0 |
| DIM. L | DIM. A | NO. OF POS. | CATALOG NUMBER | PART NO. |

| | | | | | | | |
|--|--------|------------------|------------|--------------------------|---|---------------|--|
| THIS DRAWING IS A CONTROLLED DOCUMENT. | | DWN | S SCHLEGEL | 3/7/05 | Tyco Electronics Corporation Harrisburg, PA 17105-3608 | | |
| DIMENSIONS: INCHES | | CHK | S YODER | 3/7/05 | | | |
| TOLERANCES UNLESS OTHERWISE SPECIFIED: | | APVD | S YODER | 3/7/05 | NAME | | |
| 0 PLC | ± - | PRODUCT SPEC | | JC6-Q308-08-131 ASSEMBLY | | | |
| 1 PLC | ± - | APPLICATION SPEC | | SIZE | | | |
| 2 PLC | ± .02 | MATERIAL | | CAGE CODE | | DRAWING NO | |
| 3 PLC | ± .010 | FINISH | | A300779 | | G-7-1437665-0 | |
| 4 PLC | ± - | MATERIAL | | RESTRICTED TO | | - | |
| ANGLES | ± - | MATERIAL | | WEIGHT | | - | |
| - | | - | | CUSTOMER DRAWING | | SCALE NTS | |
| - | | - | | SHEET | | 1 OF 1 | |
| - | | - | | REV | | A | |

单击下面可查看定价，库存，交付和生命周期等信息

[>>TE Connectivity\(泰科\)](#)