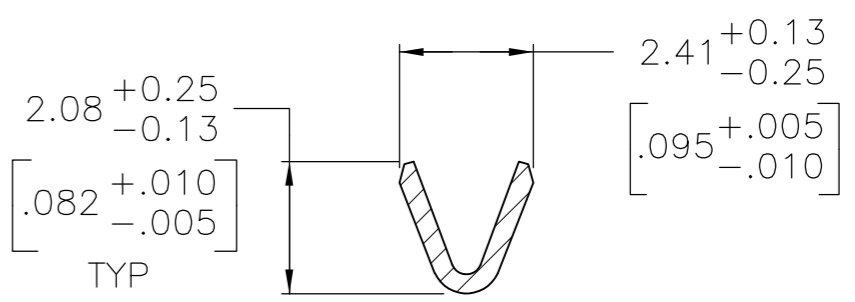
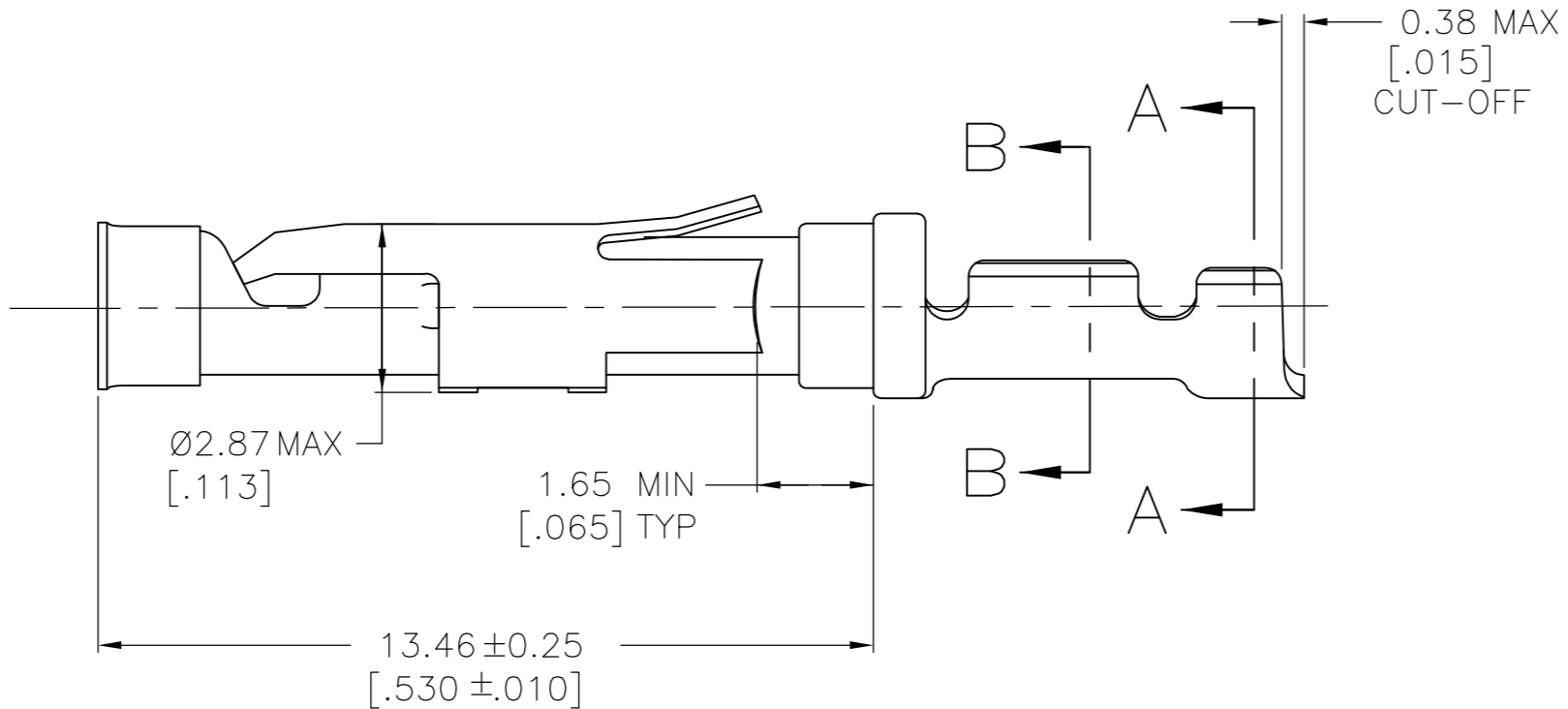
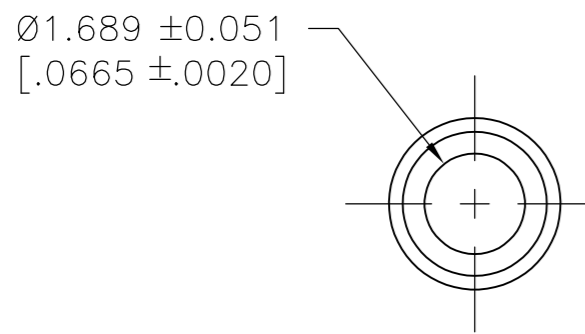
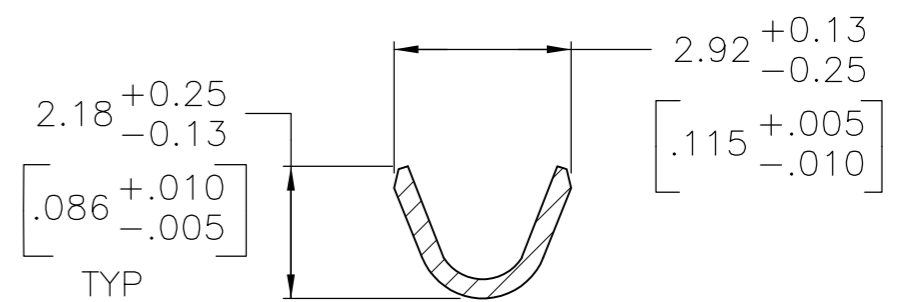
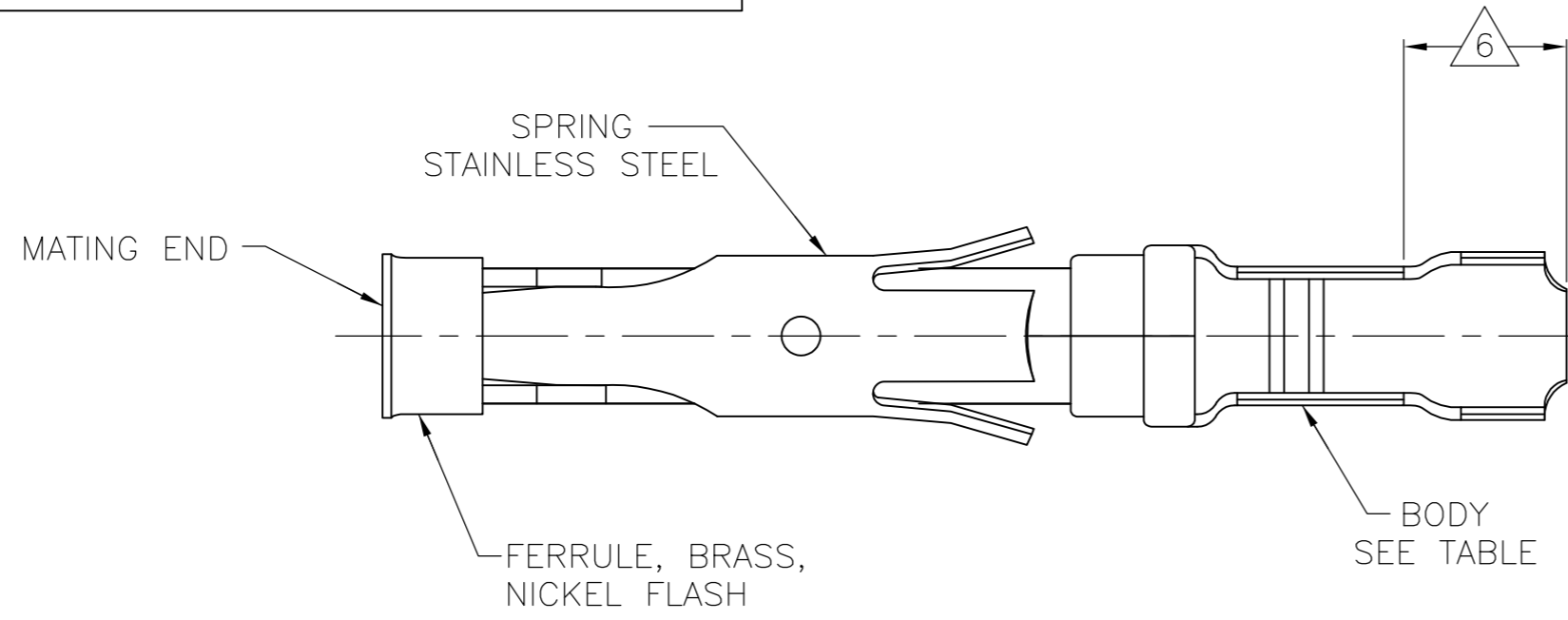


THIS DRAWING IS UNPUBLISHED. RELEASED FOR PUBLICATION
 © COPYRIGHT - By - ALL RIGHTS RESERVED.

| REVISIONS | | | | |
|-----------|-----|---------------------------|-----------|-------|
| P | LTR | DESCRIPTION | DATE | APVD |
| J2 | | REVISED PER ECO-16-004223 | 16JUL2016 | NK MZ |



- 1 0.76µm [.000030] MIN GOLD PER MIL-G-45204 ON MATING END FOR A LENGTH OF 5.08 [.200] MIN WITH 1.27µm [.000050] MIN MATTE TIN PLATE IN WIRE CRIMP AREA, BOTH OVER 0.76µm [.000030] MIN NICKEL PER QQ-N-290.
- 2 1.27µm [.000050] MIN TIN-LEAD PER MIL-T-10727 OVER 0.76µm [.000030] MIN NICKEL PER QQ-N-290.
- 3 0.76µm [.000030] MIN GOLD PER MIL-G-45204 ON MATING END FOR A LENGTH OF 5.08 [.200] MIN WITH A UNIFORM GRADIENT TO 0.25µm [.000010] MIN GOLD PER MIL-G-45204 ON THE REMAINDER OVER 0.76µm [.000030] NICKEL PER QQ-N-290.
- 4 0.38µm [.000015] MIN GOLD PER MIL-G-45204 ON MATING END FOR A LENGTH OF 5.08 [.200] MIN WITH 1.27µm [.000050] MIN MATTE TIN PLATE IN WIRE CRIMP AREA, BOTH OVER 0.76µm [.000030] MIN NICKEL PER QQ-N-290.
- 5 1.27µm [.000050] MIN GOLD PER MIL-G-45204 ON MATING END FOR A LENGTH OF 5.08 [.200] MIN WITH GOLD FLASH ON REMAINDER OVER 1.90µm [.000075] MIN NICKEL PER QQ-N-290.
- 6 GOLD PLATING NOT REQUIRED IN THIS AREA
- 7 WIRE RANGE 24-20 AWG. INSULATION RANGE 1.02 [.040]-2.03 [.080].
- 8 0.38µm [.000015] MIN GOLD PER MIL-G-45204 ON MATING END FOR A LENGTH OF 5.08 [.200] MIN, 1.27µm [.000050] MIN TIN-LEAD PER MIL-T-10727 FOR A LENGTH OF 5.69 [.224] MIN ON OPPOSITE END, BOTH OVER 1.27µm [.000050] MIN NICKEL PER QQ-N-290 ON ENTIRE CONTACT.
- 9 1.27µm [.000050] MIN TIN PER MIL-T-10727 OVER 0.76µm [.000030] MIN NICKEL PER QQ-N-290.
- 10 OBSOLETE PARTS: OBSOLETE CIS STREAMLINING PER D.RENAUD/D.SINISI

| PACKAGING TYPE | FINISH | MATERIAL | STRIP P/N REF | PART NO |
|-----------------------|--------------|------------------|------------------------|----------------------|
| SMALL PACK | 9 | BRASS | 2-66104-9 OR 3-66104-0 | 2-66105-0 |
| STANDARD | 9 | BRASS | 2-66104-9 OR 3-66104-0 | 1-66105-9 |
| SMALL PACK | 1 | BRASS | 66104-4 | 1-66105-8 |
| SMALL PACK | 4 | BRASS | 66104-3 | 1-66105-7 |
| SMALL PACK | 2 | BRASS | 66104-2 | 1-66105-6 |
| SMALL PACK | 3 | BRASS | 66104-1 | 1-66105-5 |
| STANDARD | 8 | BRASS | 2-66104-6 | 1-66105-4 |
| STANDARD | 1 | PHOSPHOR BRONZE | 2-66104-3 | 1-66105-3 |
| STANDARD | 2 | PHOSPHOR BRONZE | 2-66104-2 | 1-66105-2 |
| STANDARD | 5 | BRASS | 1-66104-6 | 1-66105-0 |
| STANDARD | 1 | BRASS | 66104-4 | 66105-4 |
| STANDARD | 4 | BRASS | 66104-3 | 66105-3 |
| STANDARD | 2 | BRASS | 66104-2 | 66105-2 |
| STANDARD | 3 | BRASS | 66104-1 | 66105-1 |

THIS DRAWING IS A CONTROLLED DOCUMENT.

| | | |
|------|--------------|----------|
| DWN | L.SIPE | 06/01/92 |
| CHK | W.LENKER | 6-11-92 |
| APVD | G.STEINHAUER | 7-8-92 |

TE Connectivity

SOCKET ASSEMBLY, LOOSE PIECE, TYPE III+

| | | | | | | | |
|------------------|--------------|-----------|--------------|------------|---------|---------------|-----|
| SIZE | A2 | CAGE CODE | 00779 | DRAWING NO | C-66105 | RESTRICTED TO | - |
| MATERIAL | SEE CALLOUTS | FINISH | SEE CALLOUTS | WEIGHT | - | SCALE | 8:1 |
| CUSTOMER DRAWING | | | | SHEET | 1 of 1 | REV | J2 |

单击下面可查看定价，库存，交付和生命周期等信息

[>>TE Connectivity\(泰科\)](#)