

4

3

2

1

THIS DRAWING IS UNPUBLISHED.

RELEASED FOR PUBLICATION

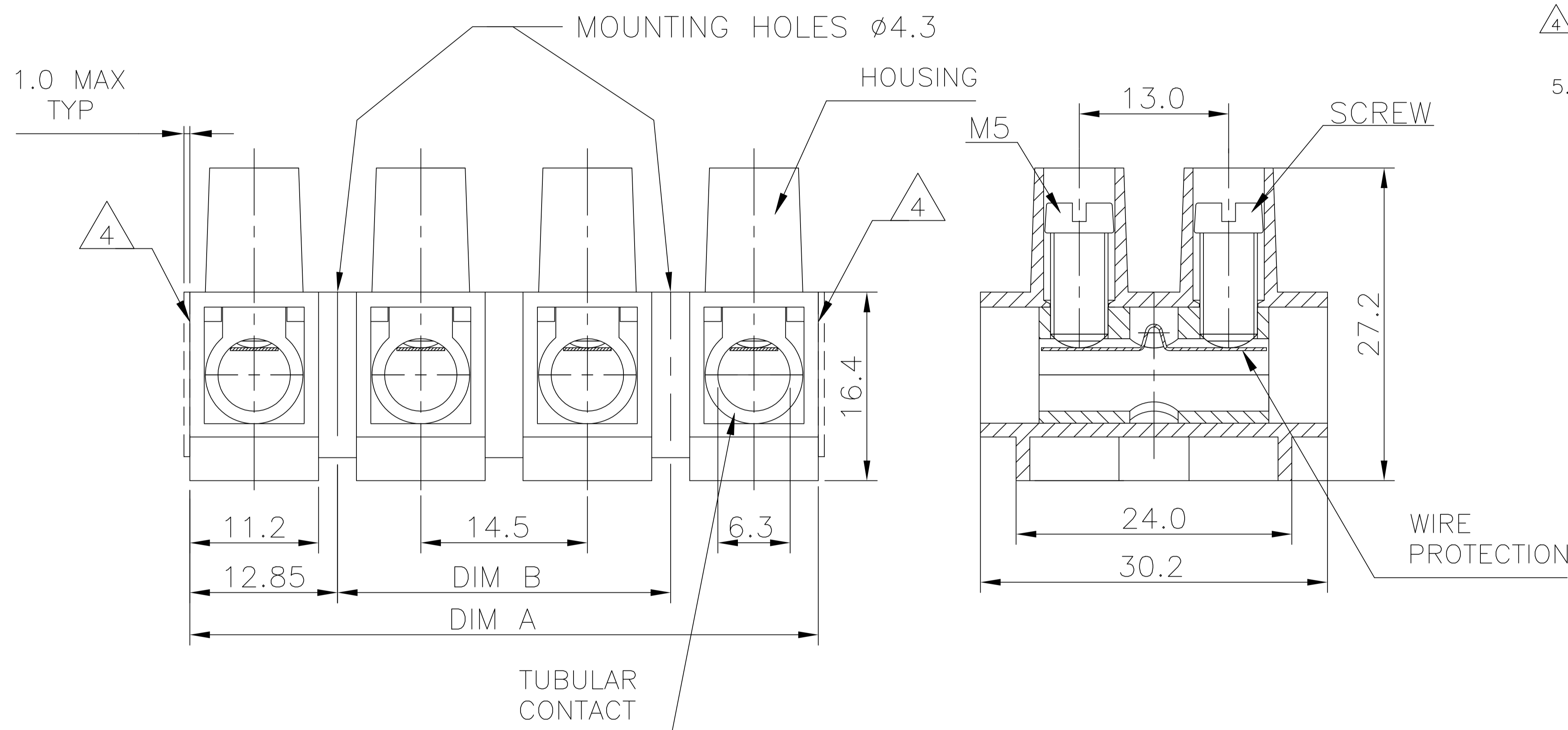
© COPYRIGHT - TE Connectivity Ltd.

ALL RIGHTS RESERVED.

REVISIONS


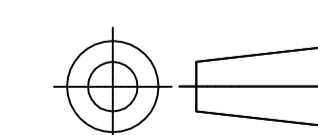
P	LTR	DESCRIPTION	DATE	DWN	APVD
	A3	CUTTING BURR DETAILS ADDED	19NOV2018	RK	PS

- MATERIAL:
HOUSING: POLYAMIDE 6 UL94V-0.
COLOR: BROWN.
TUBULAR CONTACT: BRASS, TIN PLATED.
SCREW: M5, STEEL, ZINC PLATED W/ NON-HEXAVALENT CHROMATE (CHROME III).
WIRE PROTECTOR: STAINLESS STEEL
- ELECTRICAL:
CURRENT RATING: 65A, 600V.
WIRE RANGE: 6-14 UL AND 6-22 AWG FOR (CSA)
- CONTINUOUS WORKING TEMP.: 150°C MAX.
- CUTTING PROJECTION CAN BE ON BOTH SIDES DEPENDING ON CUTTING LOCATION.
- CUTTING BURR MAX. 1mm ALLOWED.



145.0	170.7	TSB2000K12DSHT	1-1986469-2
130.5	156.2	TSB2000K11DSHT	1-1986469-1
116.0	141.7	TSB2000K10DSHT	1-1986469-0
101.5	127.2	TSB2000K09DSHT	1986469-9
87.0	112.7	TSB2000K08DSHT	1986469-8
72.5	98.2	TSB2000K07DSHT	1986469-7
58.0	83.7	TSB2000K06DSHT	1986469-6
43.5	69.2	TSB2000K05DSHT	1986469-5
29.0	54.7	TSB2000K04DSHT	1986469-4
14.5	40.2	TSB2000K03DSHT	1986469-3
-	25.7	TSB2000K02DSHT	1986469-2
-	11.2	TSB2000K01DSHT	1986469-1
DIM B	DIM A	CATALOG NUMBER	TE PART NUMBER

1986469-4 AS SHOWN

THIS DRAWING IS A CONTROLLED DOCUMENT.		DWN	S SCHLEGEL	9/17/08	 TE Connectivity Ltd.
DIMENSIONS: mm		CHK	C RICHARD	9/17/08	
		APVD	C RICHARD	9/17/08	
TOLERANCES UNLESS OTHERWISE SPECIFIED:		PRODUCT SPEC			NAME
0 PLC $\pm -$		APPLICATION SPEC			14.5MM PITCH WIRE PROTECTOR
1 PLC ± 0.3		WEIGHT			65A HIGH VOLTAGE VERSION, HIGH TEMP
2 PLC ± 0.25		CUSTOMER DRAWING			—
3 PLC $\pm -$		SCALE			NTS
4 PLC $\pm -$		SHEET			1 OF 1
ANGLES $\pm 2'$		REV			A3
MATERIAL SEE NOTES		FINISH SEE NOTES			SIZE
		CAGE CODE			A3 00779
		DRAWING NO			C=1986469
		RESTRICTED TO			—

单击下面可查看定价，库存，交付和生命周期等信息

[>>TE Connectivity\(泰科\)](#)