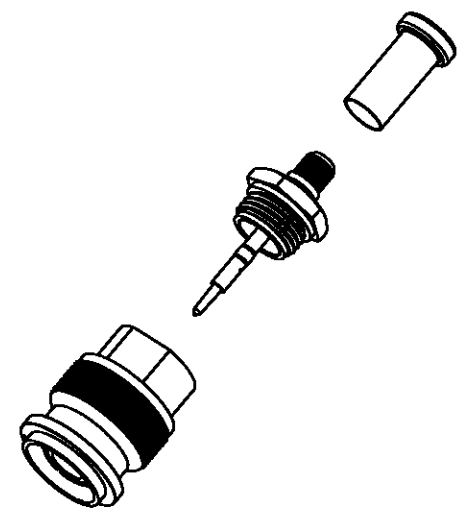
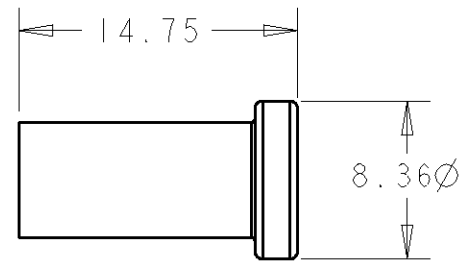
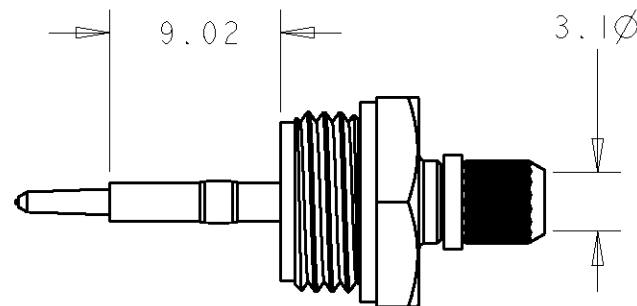
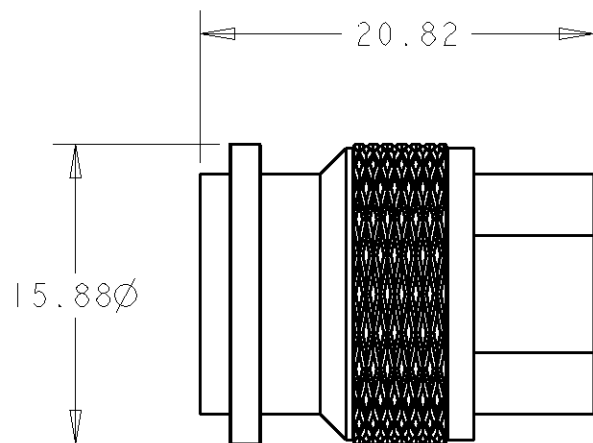
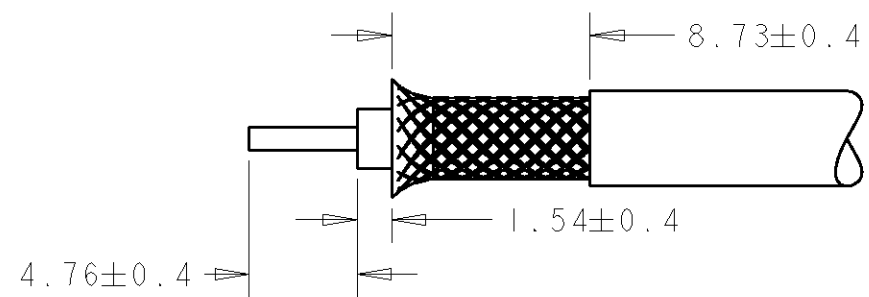


THIS DRAWING IS UNPUBLISHED. RELEASED FOR PUBLICATION 20
 © COPYRIGHT 20 BY TYCO ELECTRONICS CORPORATION. ALL RIGHTS RESERVED.

LOC	DIST	REVISIONS				
P	LTR	DESCRIPTION	DATE	DWN	APVD	
E	B	B	ECR-06-023739	07SEP2006	MJG	JA



RECOMMENDED CABLE PREPARATION
 DENUDAGE RECOMMANDE



NOTES:

- FOR USE WITH FILECA CABLE 1703/4
 UTILISER AVEC CABLE FILECA CABLE 1703/4
- CRIMP WITH HAND TOOL Pt No 69376-1 OR 69710 + INSET 69493
 PINCE A SERTIR REF: 69376-1 ou 69710 + MATRICE 69493
- INSTRUCTION SHEET 408-2299-1
 INSTRUCTION DE SERTISSAGE: 408-2299-1

ASSY PART NO	QTY	DESCRIPTION	PART NO	ITEM
134004-1	1	FERRULE	134002-1	3
	1	CRIMP END ASSY	1-330932-0	2
	1	PLUG ASSY TNC	330951	1

<small>THIS DRAWING IS A CONTROLLED DOCUMENT FOR TYCO ELECTRONICS CORPORATION IT IS SUBJECT TO CHANGE AND THE CONTROLLING ENGINEERING ORGANIZATION SHOULD BE CONTACTED FOR THE LATEST REVISION.</small>		DWN 07SEP2006 M GREENER CHK 07SEP2006 J AMBROSE APVD 07SEP2006 J AMBROSE		tyco Tyco Electronics Electronics Bideford, Devon. EX39 4HE	
DIMENSIONS: mm		TOLERANCES UNLESS OTHERWISE SPECIFIED: 0 PLC ±0.2 1 PLC ±0.2 2 PLC ±0.2 3 PLC ±0.2 4 PLC ± ANGLES ±1		NAME COAXION RF TNC PLUG CONNECTOR ASSY	
MATERIAL -		FINISH -		PRODUCT SPEC - APPLICATION SPEC - WEIGHT -	
CUSTOMER DRAWING		SIZE A3 CAGE CODE 00779 DRAWING NO C-134006		RESTRICTED TO -	
SCALE NTS		SHEET 1 OF 1		REV B	

单击下面可查看定价，库存，交付和生命周期等信息

[>>TE Connectivity\(泰科\)](#)