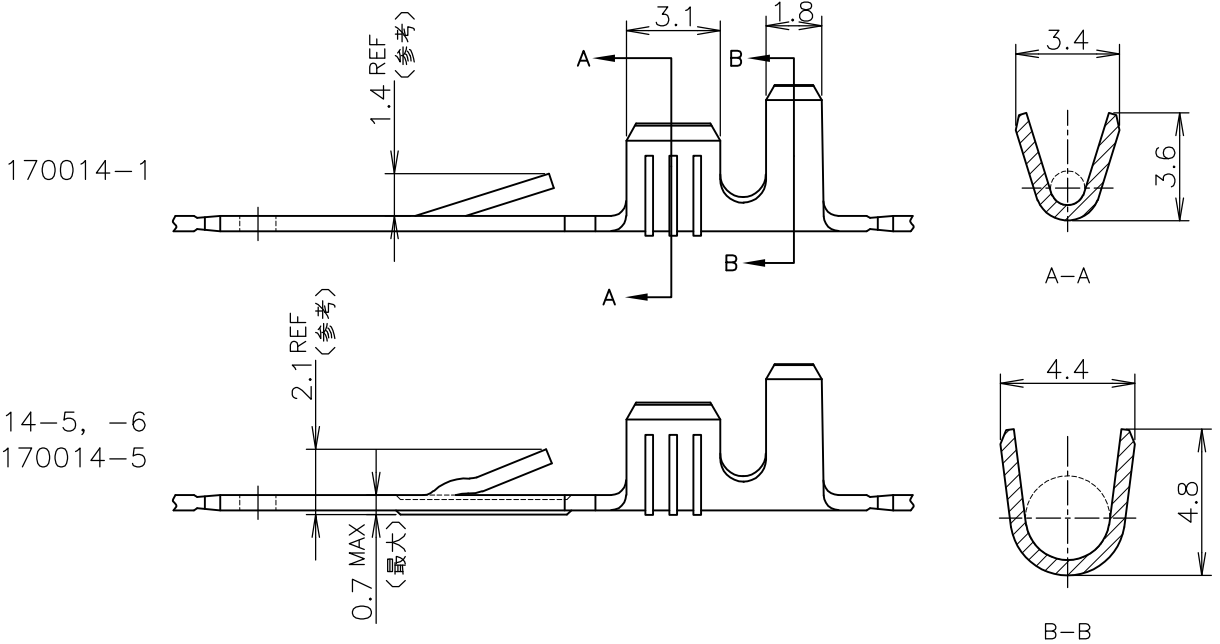
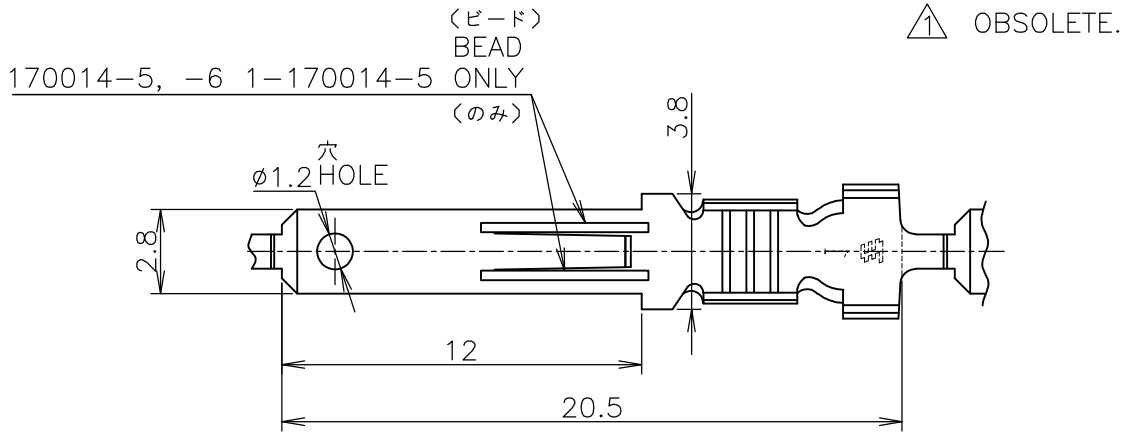


REVISIONS

P	LTR	DESCRIPTION	DATE	DWN	APVD
	M2	REVISED PER ECR-16-007334	23MAY2016	NK	LP

\* - \*; AS SHOWN



△ 170015-*	錫めっき済黄銅 (PRE-TIN BRASS) 0.5t	—  —	170014-6	
	黄銅 (BRASS) 0.5t	—  —	1-170014-5	
	黄銅 (BRASS) 0.5t	—  —	170014-5	
	黄銅 (BRASS) 0.5t	170041-1	170014-1	
MATING CONN PART NO. 嵌合型番	FINISH 仕上	MATERIAL 材料	L/P PART NO. ばら状端子型番	STRIP PART NO. 連鎖状端子型番

WIRE RANGE 抱合電線断面積	AWG #20-#16 0.5~1.42 mm <sup>2</sup>	INSULATION DIA 被覆外径	2.0~3.0 mm $\phi$
-----------------------	---	------------------------	-------------------

DIMENSIONS: 単位: 耗 mm	DWN N.YAMASAKI 29OCT2002	MATERIAL 材料 表参照 SEE TABLE	FINISH 仕上		
	CHK M.SHINDO 29OCT2002	TE Connectivity			
TOLERANCES UNLESS OTHERWISE SPECIFIED: 一般公差	APVD Y.KASHIWA 29OCT2002			NAME 名称	110 SERIES FASTIN - FASTON TAB 110シリーズ ファスティン・ファストン・タブ
0 PLC ± 1 PLC ± 2 PLC ± ±0.4 3 PLC ± 4 PLC ± ANGLES ±	PRODUCT SPEC 製品規格 108-5005	SIZE	CAGE CODE	DRAWING NO 番号	RESTRICTED TO
	APPLICATION SPEC 取付適用規格	A4	00779	C-170014	
	WEIGHT	CUSTOMER DRAWING		SCALE 尺度	4:1
				SHEET	1 OF 1
				REV	M2

RELEASED FOR PUBLICATION

ALL RIGHTS RESERVED.

THIS DRAWING IS UNPUBLISHED.

By

COPYRIGHT

©

单击下面可查看定价，库存，交付和生命周期等信息

[>>TE Connectivity\(泰科\)](#)