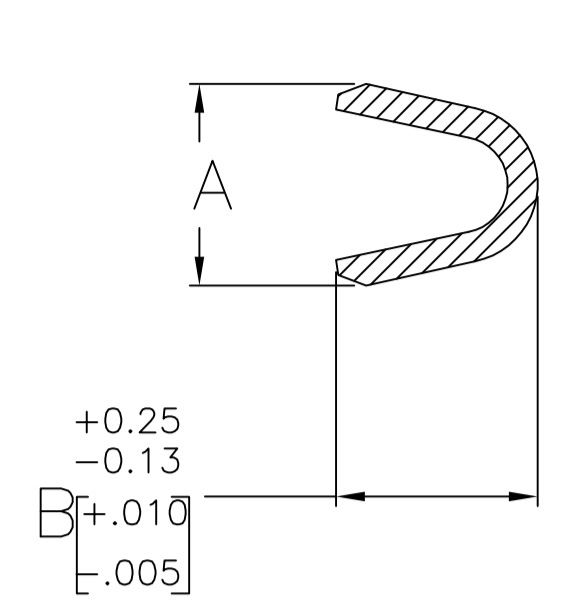
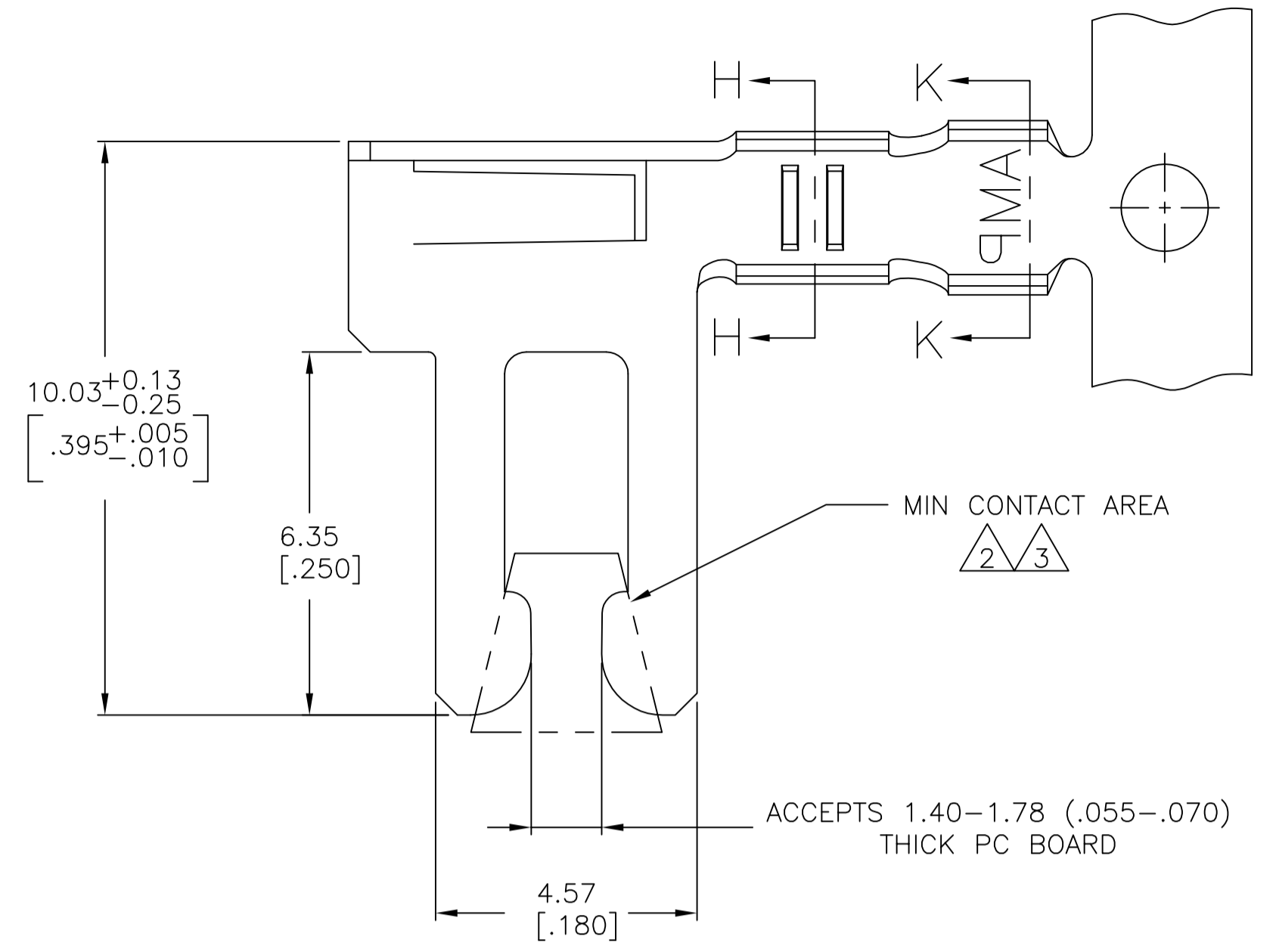
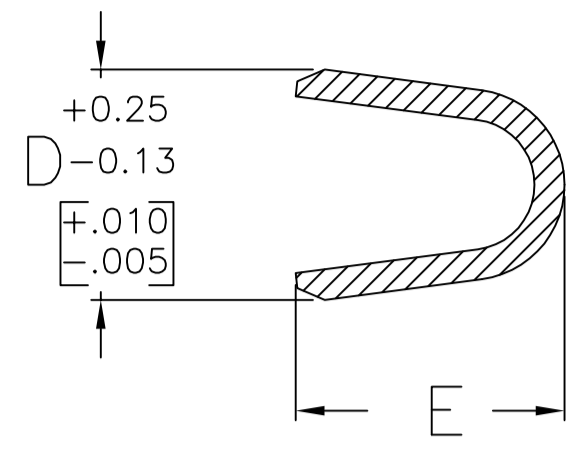


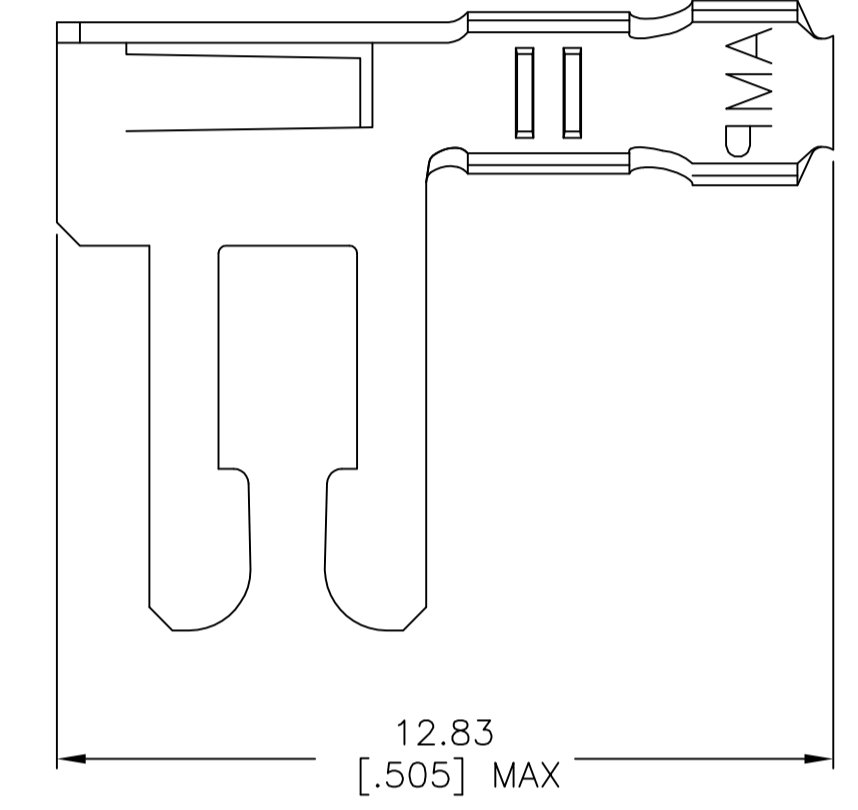
REVISIONS				
P	LTR	DESCRIPTION	DATE	APP'D
AK2		REVISED PER ECO-13-005696	25JUL13	KH MM
AL		REVISED PER ECO-17-014152	12JAN2018	RS MM



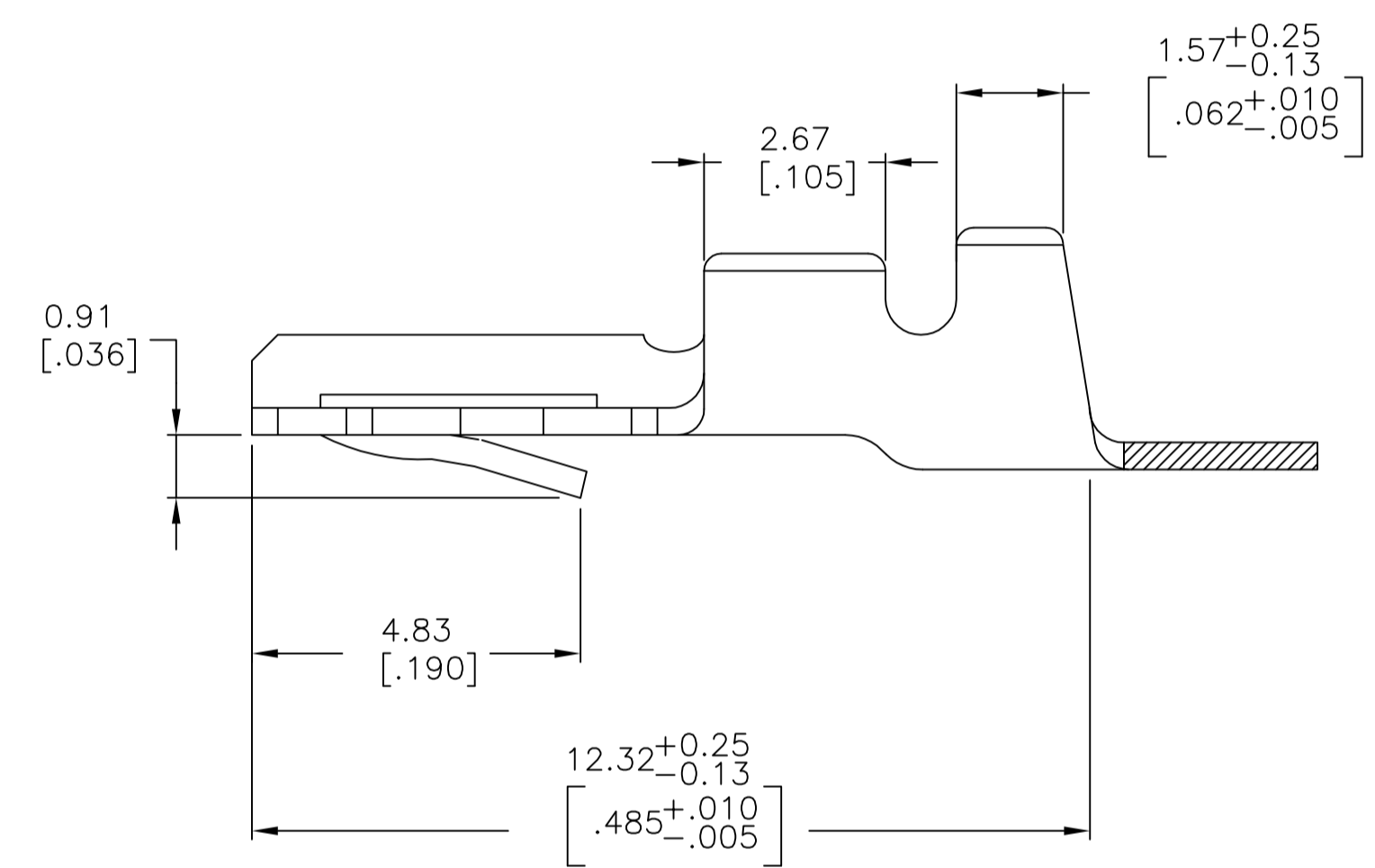
SECTION H-H



SECTION K-K



DETAIL X  
SCALE 8:1



- 1 REFER TO CUSTOMER DRAWINGS 530509, 530853, 582370, & 582380 FOR HOUSING AND PC BOARD REQUIREMENTS.
- 2 0.76µm[.000030] MIN GOLD OVER 1.27µm[.000050] MIN NICKEL IN CONTACT AREA, 1.27µm[.000050] MIN NICKEL ON REMAINDER OF CONTACT.
- 3 0.38µm[.000030] MIN GOLD OVER 1.27µm[.000050] MIN NICKEL IN CONTACT AREA, 1.27µm[.000050] MIN NICKEL ON REMAINDER OF CONTACT.
- 4 3.81µm[.000150] MIN TIN-LEAD OVER 0.76µm[.000030] MIN NICKEL ALL OVER.
- 5 FOR USE WITH STANDARD APPLICATOR.
- 6 FOR USE WITH MINATURE APPLICATOR.
- 7 3.81µm[.000150] MIN MATTE TIN PLATE OVER 0.76µm[.000030] MIN NICKEL ALL OVER.
- 8 OBSOLETE PARTS: OBSOLETE CIS STREAMLINING PER D.RENAUD/D.SINISI

△8	OBSOLETE	0.89-1.40 [.035-.055]	26-22	2.16 [.085]	2.54 [.100]	1.90 [.075]	1.90-2.41 [.075-.095]	PER DETAIL-X	-	△4	5-66150-2
△8	OBSOLETE	1.52-2.29 [.060-.090]	22-18	3.56 [.140]	3.05 [.120]	2.67 [.105]	2.67-3.30 [.105-.130]	PER DETAIL-X	-	△4	5-66088-2
		0.89-1.40 [.035-.055]	26-22	2.16 [.085]	2.54 [.100]	1.90 [.075]	1.90-2.41 [.075-.095]	-	△6	△4	5-66362-1
		1.52-2.29 [.060-.090]	22-18	3.56 [.140]	3.05 [.120]	2.67 [.105]	2.67-3.30 [.105-.130]	-	△6	△4	5-66335-2
△8	OBSOLETE	1.52-2.29 [.060-.090]	22-18	3.56 [.140]	3.05 [.120]	2.67 [.105]	2.67-3.30 [.105-.130]	-	△6	△4	5-60215-4
	OBSOLETE	0.89-1.40 [.035-.055]	26-22	2.16 [.085]	2.54 [.100]	1.90 [.075]	1.90-2.41 [.075-.095]	PER DETAIL-X	-	△4	66150-2
		1.52-2.29 [.060-.090]	22-18	3.56 [.140]	3.05 [.120]	2.67 [.105]	2.67-3.30 [.105-.130]	PER DETAIL-X	-	△4	66088-2
	OBSOLETE	0.89-1.40 [.035-.055]	26-22	2.16 [.085]	2.54 [.100]	1.90 [.075]	1.90-2.41 [.075-.095]	-	△6	△2	66362-2
		0.89-1.40 [.035-.055]	26-22	2.16 [.085]	2.54 [.100]	1.90 [.075]	1.90-2.41 [.075-.095]	-	△6	△4	66362-1
△8	OBSOLETE	1.52-2.29 [.060-.090]	22-18	3.56 [.140]	3.05 [.120]	2.67 [.105]	2.67-3.30 [.105-.130]	-	△6	△2	66335-3
		1.52-2.29 [.060-.090]	22-18	3.56 [.140]	3.05 [.120]	2.67 [.105]	2.67-3.30 [.105-.130]	-	△6	△4	66335-2
		1.52-2.29 [.060-.090]	22-18	3.56 [.140]	3.05 [.120]	2.67 [.105]	2.67-3.30 [.105-.130]	-	△5	△4	60215-5
		1.52-2.29 [.060-.090]	22-18	3.56 [.140]	3.05 [.120]	2.67 [.105]	2.67-3.30 [.105-.130]	-	△5	△4	60215-4
		INSULATION DIA RANGE	WIRE GAGE RANGE	E	D	B	A	LOOSE PIECE	REELING	FINISH	PART NUMBER

THIS DRAWING IS A CONTROLLED DOCUMENT. DIM M. BINNER 09 JUL 97  
CHK R. STONE 11 NOV 97  
APP'D D. WIKE 09 APR 98 NAME

**STE** TE Connectivity

PRODUCT SPEC 108-9016  
APPLICATION SPEC 114-9002

SIZE CAGE CODE DRAWING NO RESTRICTED TO  
A1 00779 60215

CUSTOMER DRAWING SCALE 10:1 SHEET 1 OF 1 REV AL

单击下面可查看定价，库存，交付和生命周期等信息

[>>TE Connectivity\(泰科\)](#)