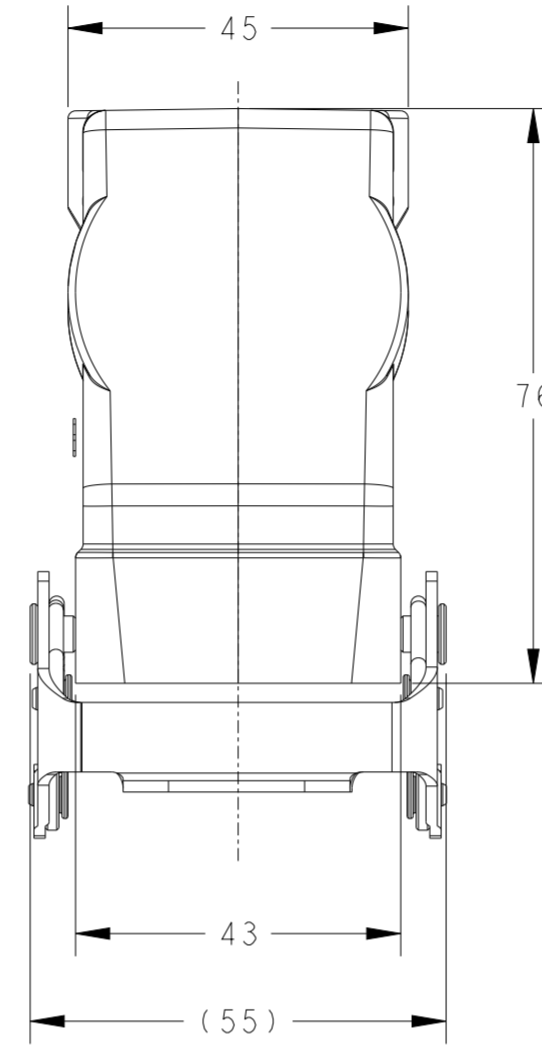
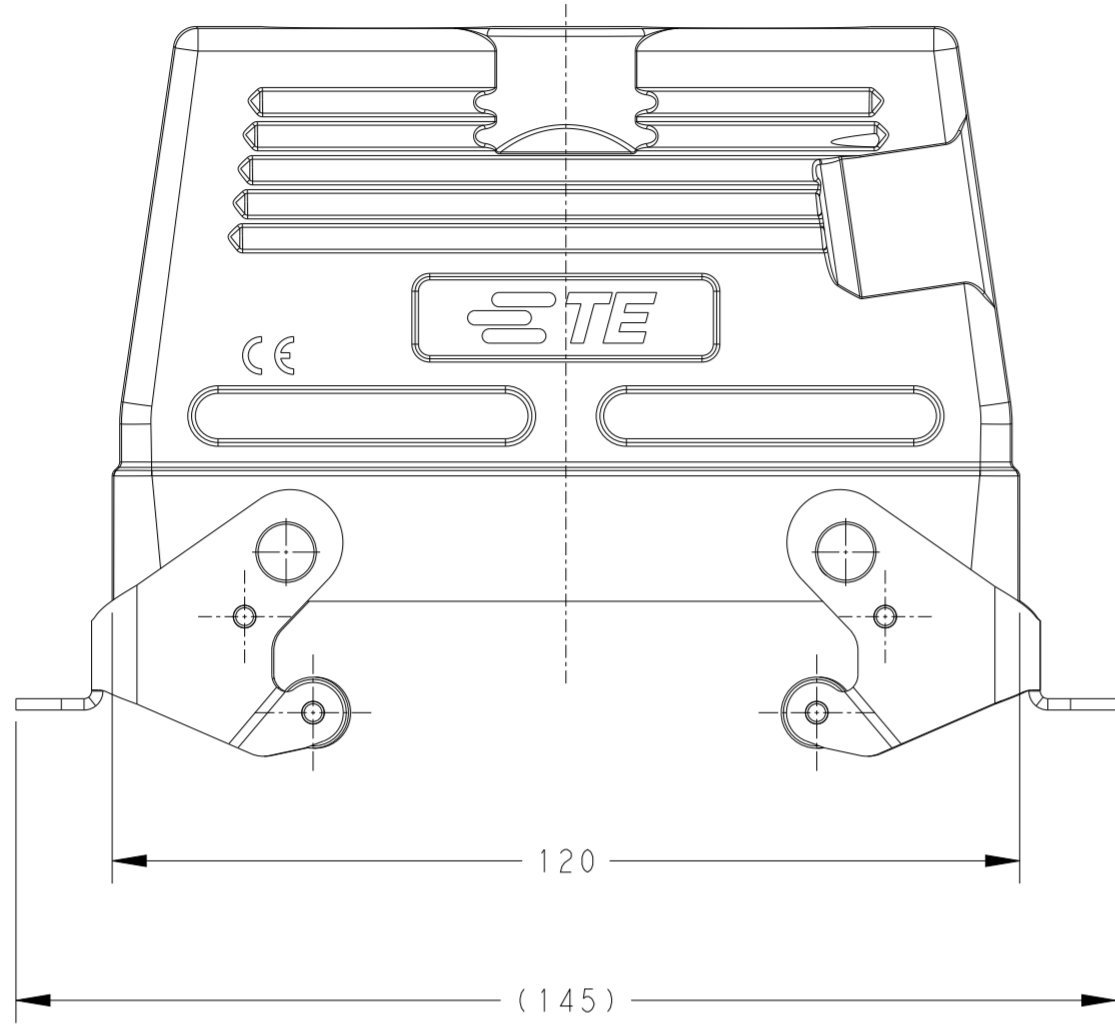


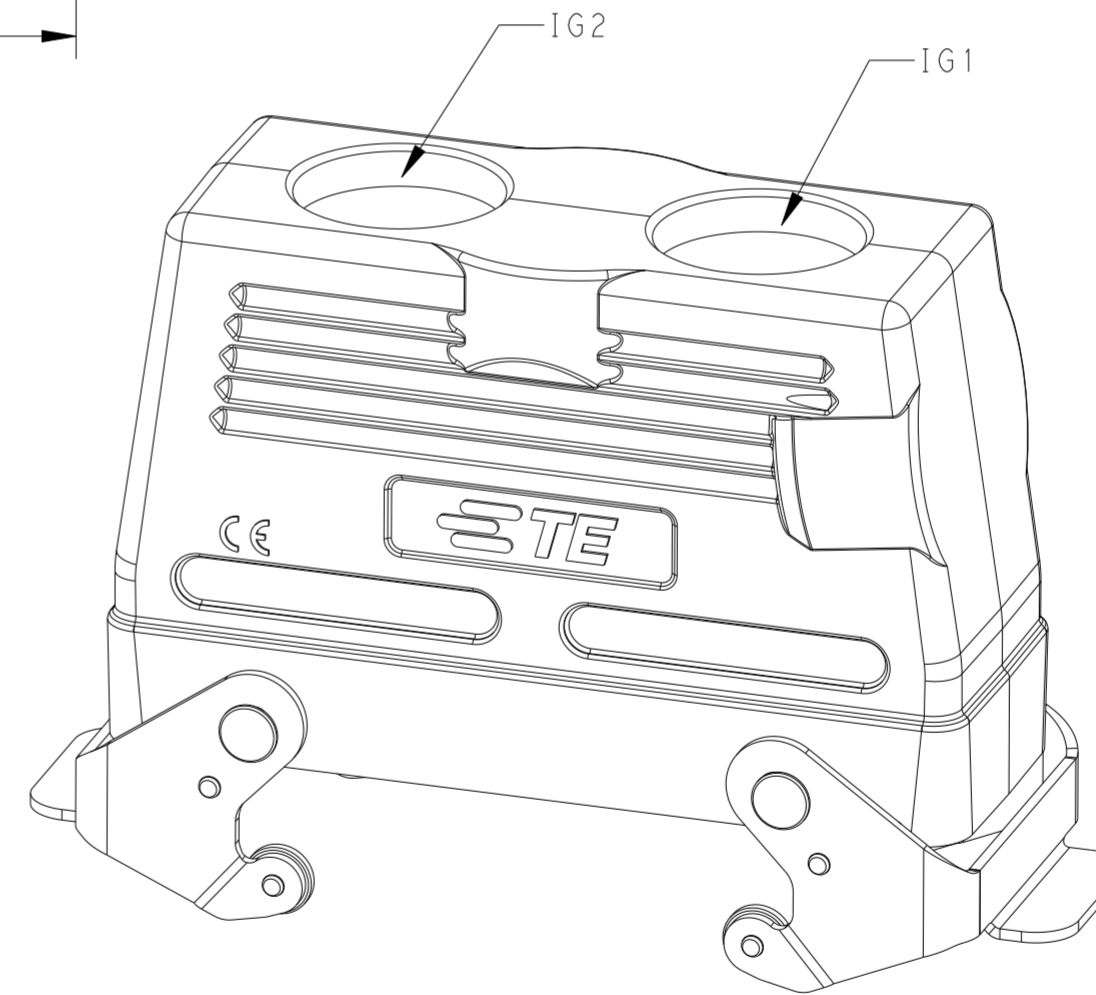
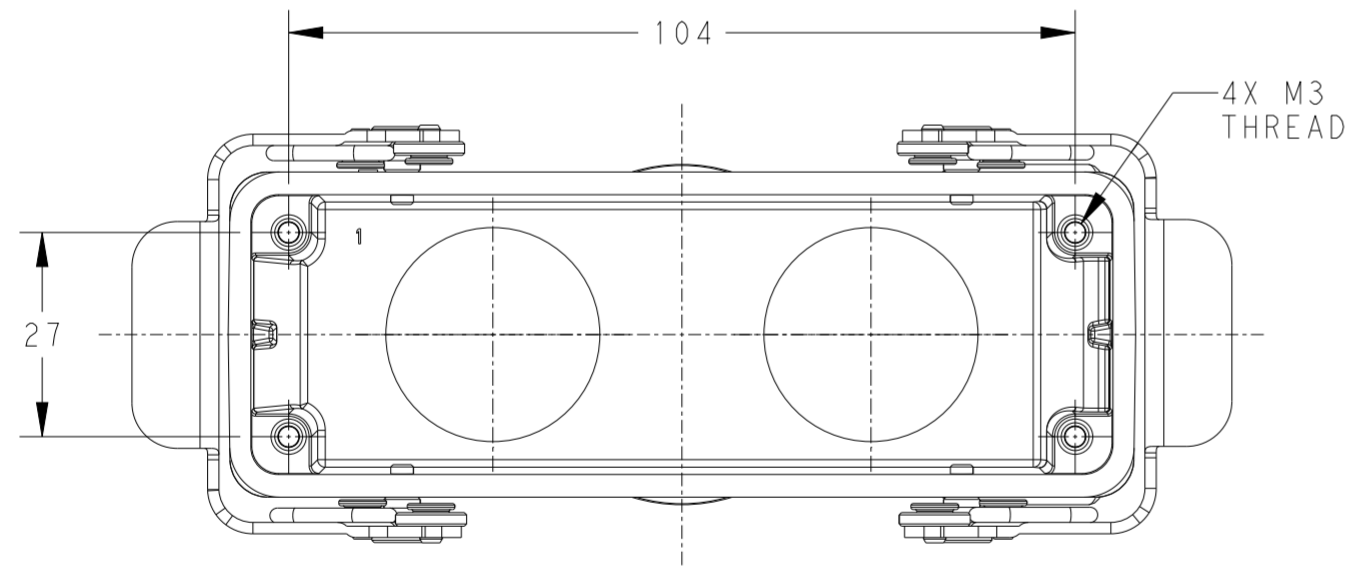
THIS DRAWING IS UNPUBLISHED. RELEASED FOR PUBLICATION 20
 © COPYRIGHT 20 BY - ALL RIGHTS RESERVED.

| REVISIONS | | | | | |
|-----------|-----|---------------|-----------|-----|------|
| P | LTR | DESCRIPTION | DATE | DWN | APVD |
| A | | INITIAL | 09JUN2015 | DW | CW |
| B | | ECR-20-014876 | 18NOV2020 | WOR | CW |
| | | | | | |
| | | | | | |



NOTES:
 1. TECHNICAL CHARACTERISTICS:
 HOOD MATERIAL: DIE CAST ALUMINIUM ALLOY
 SURFACE: POWDER COATED, GREY
 DEGREE OF PROTECTION: IP65 (MATED)

注释:
 1. 技术参数:
 上壳材料: 铝合金
 表面处理: 粉末涂层, 灰色
 防护等级: IP65(配合)



| | | | | |
|-----------------|------------------|-------------------|------|------|
| T1280243221-000 | H24B-TGBHS-2PG21 | HIGH CONSTRUCTION | PG21 | PG21 |
| PART NUMBER | DESCRIPTION | TYPE | IG1 | IG2 |

| | | | | |
|--|--|-----------------------------|---|--|
| THIS DRAWING IS A CONTROLLED DOCUMENT. | | DWN 09JUN2015 David Wang | STE TE Connectivity | |
| | | CHK 09JUN2015 Chris Wang | | |
| DIMENSIONS: mm | | APVD 09JUN2015 Xiang Xu | NAME H24B-TGBHS-2PG21 | |
| TOLERANCES UNLESS OTHERWISE SPECIFIED: | | PRODUCT SPEC 108-137013 | SIZE CAGE CODE DRAWING NO RESTRICTED TO | |
| 0 PLC ± | | APPLICATION SPEC 114-137013 | A200779 C-T1280243221000 | |
| 1 PLC ± | | WEIGHT - | SCALE 1:1 SHEET 1 OF 1 REV B | |
| 2 PLC ± | | Customer Drawing | | |
| 3 PLC ± | | | | |
| 4 PLC ± | | | | |
| ANGLES ± | | | | |
| FINISH - | | | | |
| - | | | | |

单击下面可查看定价，库存，交付和生命周期等信息

[>>TE Connectivity\(泰科\)](#)