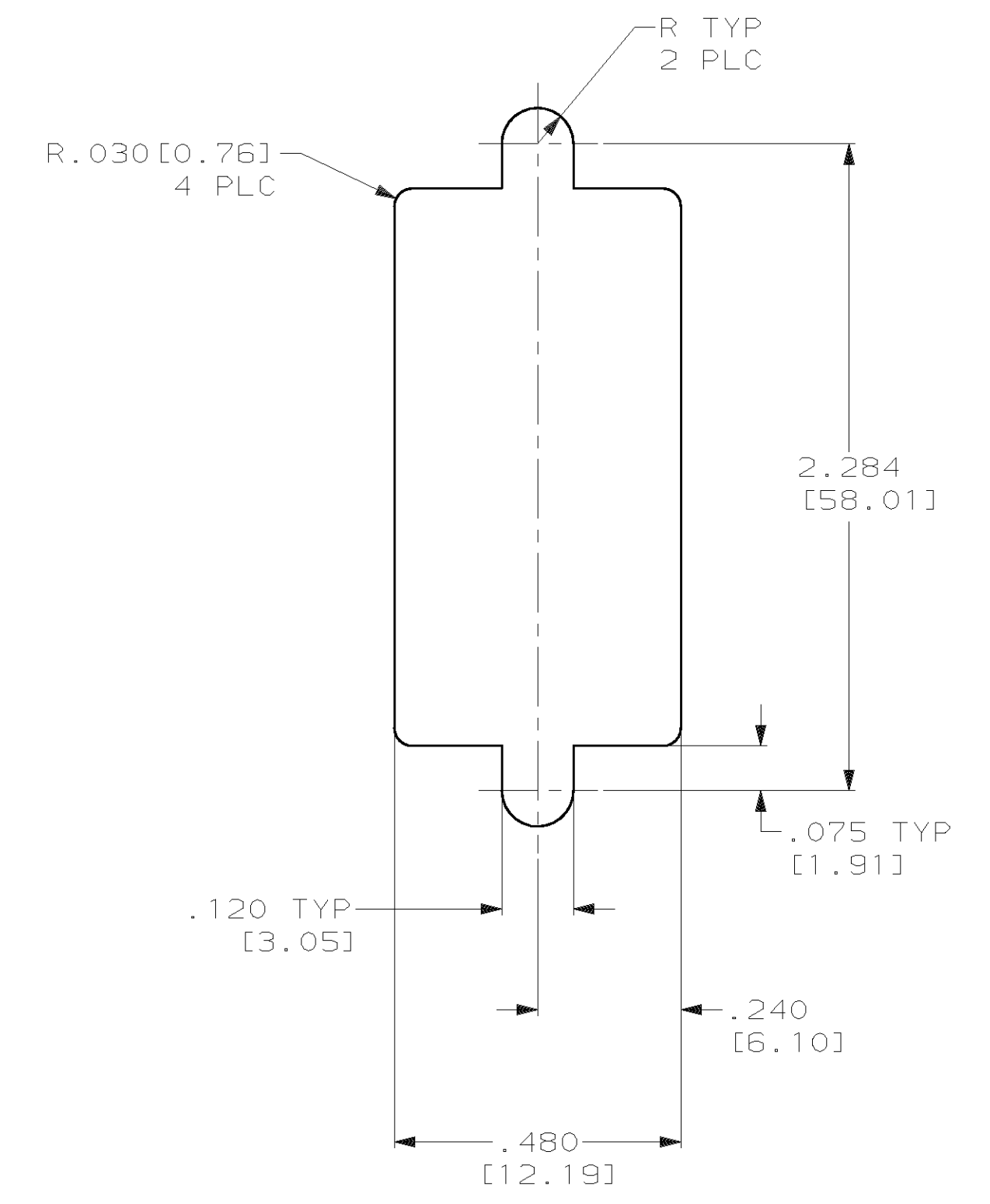
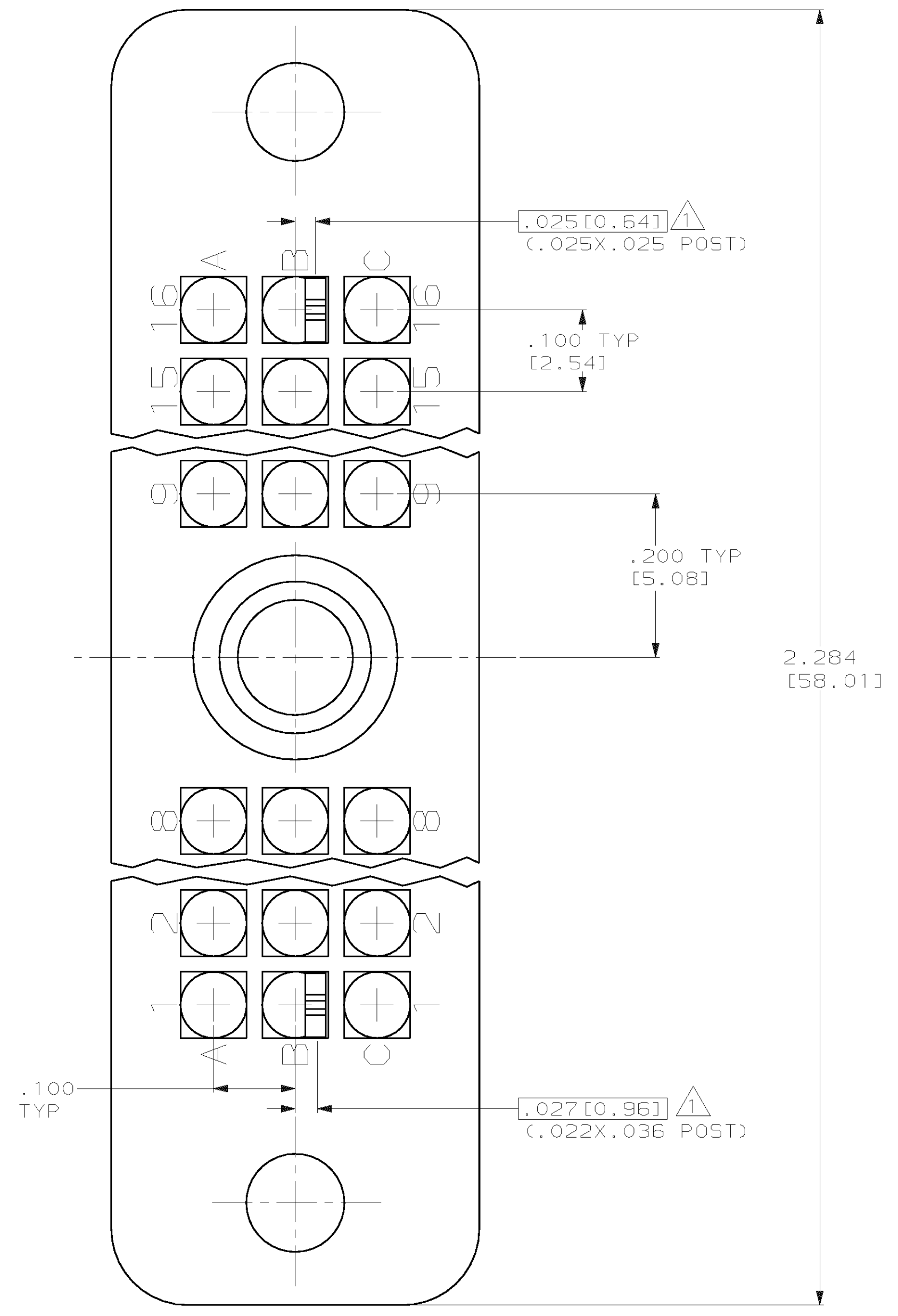
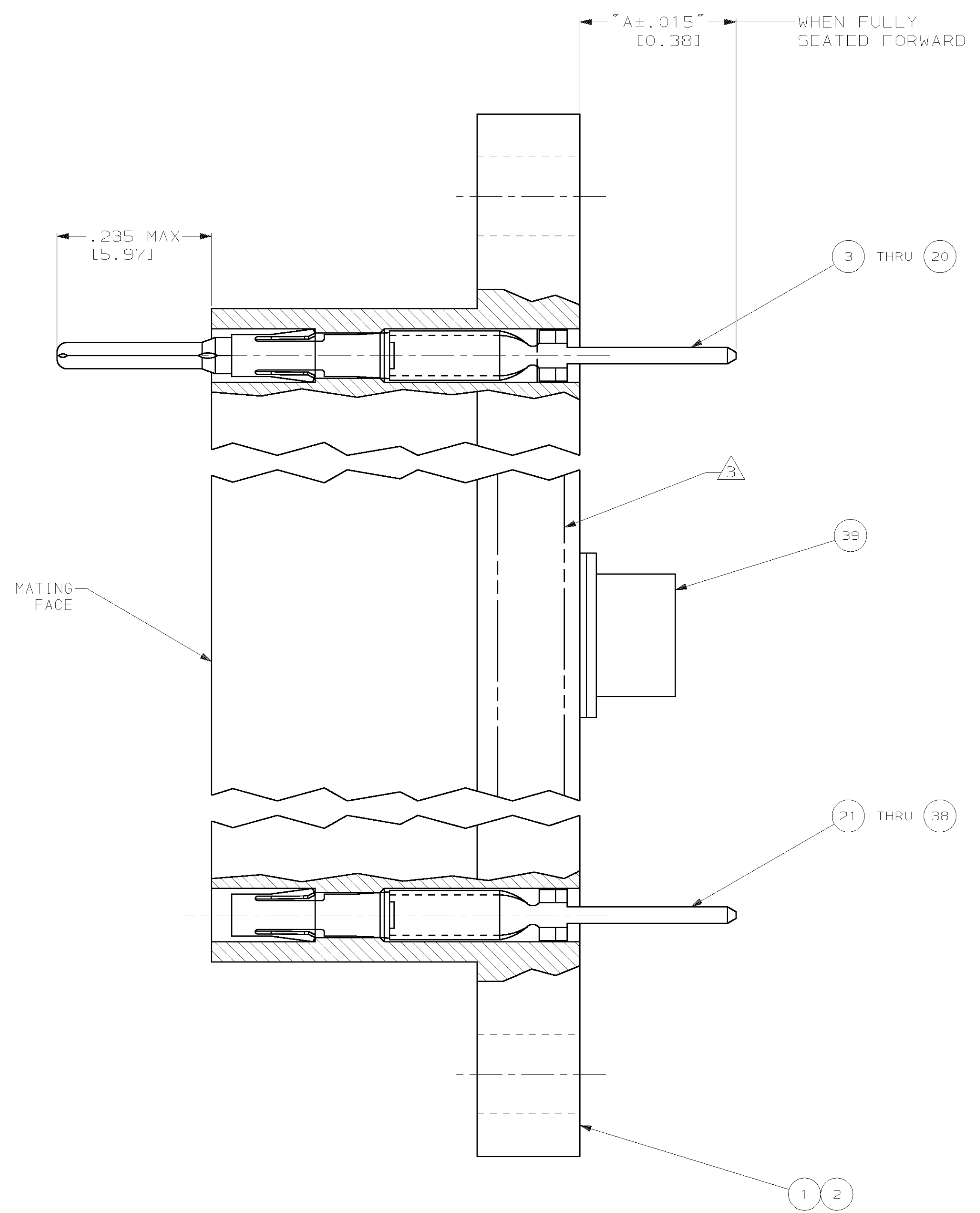


REVOLUTIONS		DATE	OWN	APPV
DF	CO			
H	REV PER	063D-0276-01	7-02	CT JM

- 1 THE TIP OF THE CONTACT POSTS WILL FALL WITHIN .025 DIAMETER TRUE POSITION OF EACH OTHER.
- 2 PARTS TO BE ASSEMBLED BY AMP INC.
- 3 AMP, PART NUMBER AND DATE CODE MARKED ON EITHER SIDE.



SUGGESTED PANEL CUTOUT  
SCALE 4:1

TERMINATION	NUMBER OF TERMINATIONS	TYPE OF POST
.520 [13.21]	3	.022X.036 POST
.370 [9.40]	2	
.220 [5.59]	1	.025X.025 POST
.670 [17.02]	3	
.456 [11.58]	2	
.242 [6.15]	1	

AMP Incorporated  
Harrisburg, PA 17105-3608

48 POSITION, HDR, PLUG /w JACKSCREW

SIZE: A1 CAGE CODE: 00779 DRAWING NO: C=204687

SCALE: 8:1 SHEET: 13 REV: H

QTY	UNIT	DESCRIPTION	TERMINATIONS	REMARKS	PART NO
1		1-205172-2	3	GOLD/NICKEL	204299-1
-		1-205172-1	2	GOLD/NICKEL	204299-1
-		1-205172-0	1	GOLD/NICKEL	204299-1
-		205172-9	3	SELECTIVE GOLD	204299-1
-		205172-8	2	SELECTIVE GOLD	204299-1
-		205172-7	1	SELECTIVE GOLD	204299-1
-		205172-3	3	TIN	204299-1
-		205172-2	2	TIN	204299-1
-		205172-1	1	TIN	204299-1
48		204292-9	3	SELECTIVE GOLD	204299-1
-		204292-8	2	SELECTIVE GOLD	204299-1
-		204292-7	1	SELECTIVE GOLD	204299-1
-		204292-6	3	NICKEL	204299-1
-		204292-5	2	NICKEL	204299-1
-		204292-4	1	NICKEL	204299-1
-		204292-3	3	GOLD/NICKEL	204299-1
-		204292-2	2	GOLD/NICKEL	204299-1
-		204292-1	1	GOLD/NICKEL	204299-1
-		204285-9	1	SELECTIVE GOLD	204299-1
-		204285-8	2	SELECTIVE GOLD	204299-1
-		204285-7	3	SELECTIVE GOLD	204299-1
-		204285-6	1	TIN	204299-1
-		204285-5	2	TIN	204299-1
-		204285-4	3	TIN	204299-1
-		204285-3	1	GOLD/NICKEL	204299-1
-		204285-2	2	GOLD/NICKEL	204299-1
-		204285-1	3	GOLD/NICKEL	204299-1
-		1-205171-2	3	GOLD/NICKEL	204299-1
-		1-205171-1	2	GOLD/NICKEL	204299-1
-		1-205171-0	1	GOLD/NICKEL	204299-1
-		205171-9	3	SELECTIVE GOLD	204299-1
-		205171-8	2	SELECTIVE GOLD	204299-1
-		205171-7	1	SELECTIVE GOLD	204299-1
-		205171-3	3	TIN	204299-1
-		205171-2	2	TIN	204299-1
-		205171-1	1	TIN	204299-1
1		2-204281-8	-	DIALYL PHTHALATE-BLUE	204299-1
-		204281-8	-	PHENOLIC-BLACK	204299-1

		DIMENSIONS: IN (mm)	TOLERANCES UNLESS OTHERWISE SPECIFIED: 0 RLC +-. 1 RLC +-. 2 RLC +-. 3 RLC +-. 4 RLC +-. 5 RLC +-. 6 RLC +-. 7 RLC +-. 8 RLC +-. 9 RLC +-. 10 RLC +-. 11 RLC +-. 12 RLC +-. 13 RLC +-. 14 RLC +-. 15 RLC +-. 16 RLC +-. 17 RLC +-. 18 RLC +-. 19 RLC +-. 20 RLC +-. 21 RLC +-. 22 RLC +-. 23 RLC +-. 24 RLC +-. 25 RLC +-. 26 RLC +-. 27 RLC +-. 28 RLC +-. 29 RLC +-. 30 RLC +-. 31 RLC +-. 32 RLC +-. 33 RLC +-. 34 RLC +-. 35 RLC +-. 36 RLC +-. 37 RLC +-. 38 RLC +-. 39 RLC +-. 40 RLC +-. 41 RLC +-. 42 RLC +-. 43 RLC +-. 44 RLC +-. 45 RLC +-. 46 RLC +-. 47 RLC +-. 48 RLC +-.	MATERIAL: - FINISH: -	DWG SIZE: -
THE DRAWING IS A CONTROLLED DOCUMENT AND IS UNPUBLISHED. IT IS SUBJECT TO CHANGE AND THE CONTROLLING ENGINEERING DEPARTMENT SHALL BE CONTACTED FOR THE LATEST REVISION.		DIMENSIONS: IN (mm)	TOLERANCES UNLESS OTHERWISE SPECIFIED: 0 RLC +-. 1 RLC +-. 2 RLC +-. 3 RLC +-. 4 RLC +-. 5 RLC +-. 6 RLC +-. 7 RLC +-. 8 RLC +-. 9 RLC +-. 10 RLC +-. 11 RLC +-. 12 RLC +-. 13 RLC +-. 14 RLC +-. 15 RLC +-. 16 RLC +-. 17 RLC +-. 18 RLC +-. 19 RLC +-. 20 RLC +-. 21 RLC +-. 22 RLC +-. 23 RLC +-. 24 RLC +-. 25 RLC +-. 26 RLC +-. 27 RLC +-. 28 RLC +-. 29 RLC +-. 30 RLC +-. 31 RLC +-. 32 RLC +-. 33 RLC +-. 34 RLC +-. 35 RLC +-. 36 RLC +-. 37 RLC +-. 38 RLC +-. 39 RLC +-. 40 RLC +-. 41 RLC +-. 42 RLC +-. 43 RLC +-. 44 RLC +-. 45 RLC +-. 46 RLC +-. 47 RLC +-. 48 RLC +-.	MATERIAL: - FINISH: -	DWG SIZE: -
DWG NO: T. THOMPSON 09-08-95 CHK: D. MUMMEY 09-08-95 PROD: D. MUMMEY 09-08-95	AMP Incorporated Harrisburg, PA 17105-3608	DIMENSIONS: IN (mm)	TOLERANCES UNLESS OTHERWISE SPECIFIED: 0 RLC +-. 1 RLC +-. 2 RLC +-. 3 RLC +-. 4 RLC +-. 5 RLC +-. 6 RLC +-. 7 RLC +-. 8 RLC +-. 9 RLC +-. 10 RLC +-. 11 RLC +-. 12 RLC +-. 13 RLC +-. 14 RLC +-. 15 RLC +-. 16 RLC +-. 17 RLC +-. 18 RLC +-. 19 RLC +-. 20 RLC +-. 21 RLC +-. 22 RLC +-. 23 RLC +-. 24 RLC +-. 25 RLC +-. 26 RLC +-. 27 RLC +-. 28 RLC +-. 29 RLC +-. 30 RLC +-. 31 RLC +-. 32 RLC +-. 33 RLC +-. 34 RLC +-. 35 RLC +-. 36 RLC +-. 37 RLC +-. 38 RLC +-. 39 RLC +-. 40 RLC +-. 41 RLC +-. 42 RLC +-. 43 RLC +-. 44 RLC +-. 45 RLC +-. 46 RLC +-. 47 RLC +-. 48 RLC +-.	MATERIAL: - FINISH: -	DWG SIZE: -

LOC		DIST		REVISIONS			
DF	CO	TR	LYR	DESCRIPTION	DATE	OWN	APPRO
-	-	-	-	SEE SHT 1	-	-	-

1	1	1	1	1	1	1	1	1	1	1	1	1	1	1	1	1	A	204299-1	FEMALE	-	JACKSCREW ASSY KIT	39
-	-	-	-	-	-	48	-	-	-	-	-	-	-	-	48	-	C	1-205172-2	GOLD/NICKEL	3	SOCKET ASSY .025 X .025 POST	38
-	-	-	-	-	-	48	-	-	-	-	-	-	-	-	48	-	C	1-205172-1	GOLD/NICKEL	2	SOCKET ASSY .025 X .025 POST	37
-	-	-	-	-	-	-	-	-	-	-	-	-	-	-	-	-	C	1-205172-0	GOLD/NICKEL	1	SOCKET ASSY .025 X .025 POST	36
48	-	-	-	-	-	-	-	-	-	48	-	-	-	-	-	-	C	205172-9	SELECTIVE GOLD	3	SOCKET ASSY .025 X .025 POST	35
-	48	-	-	-	-	-	-	-	-	-	-	-	-	-	-	-	C	205172-8	SELECTIVE GOLD	2	SOCKET ASSY .025 X .025 POST	34
-	-	48	-	-	-	-	-	-	-	-	-	-	-	-	-	-	C	205172-7	SELECTIVE GOLD	1	SOCKET ASSY .025 X .025 POST	33
-	-	-	48	-	-	-	-	-	-	-	-	-	-	-	-	-	C	205172-3	TIN	3	SOCKET ASSY .025 X .025 POST	32
-	-	-	-	48	-	-	-	-	-	-	-	-	-	-	-	-	C	205172-2	TIN	2	SOCKET ASSY .025 X .025 POST	31
-	-	-	-	-	48	-	-	-	-	-	-	-	-	-	-	-	C	205172-1	TIN	1	SOCKET ASSY .025 X .025 POST	30
-	-	-	-	-	-	-	-	-	-	-	-	-	-	-	-	-	C	204292-9	SELECTIVE GOLD	3	SOCKET ASSY .022 X .036 POST	29
-	-	-	-	-	-	-	-	-	-	-	-	-	-	-	-	-	C	204292-8	SELECTIVE GOLD	2	SOCKET ASSY .022 X .036 POST	28
-	-	-	-	-	-	-	-	-	-	-	-	-	-	-	-	-	C	204292-7	SELECTIVE GOLD	1	SOCKET ASSY .022 X .036 POST	27
-	-	-	-	-	-	-	-	-	-	-	-	-	-	-	-	-	C	204292-6	NICKEL	3	SOCKET ASSY .022 X .036 POST	26
-	-	-	-	-	-	-	-	-	-	-	-	-	-	-	-	-	C	204292-5	NICKEL	2	SOCKET ASSY .022 X .036 POST	25
-	-	-	-	-	-	-	-	-	-	-	-	-	-	-	-	-	C	204292-4	NICKEL	1	SOCKET ASSY .022 X .036 POST	24
-	-	-	-	-	-	-	-	-	-	-	-	-	-	-	-	-	C	204292-3	GOLD/NICKEL	3	SOCKET ASSY .022 X .036 POST	23
-	-	-	-	-	-	-	-	-	-	-	-	-	-	-	-	-	C	204292-2	GOLD/NICKEL	2	SOCKET ASSY .022 X .036 POST	22
-	-	-	-	-	-	-	-	-	-	-	-	-	-	-	-	-	C	204292-1	GOLD/NICKEL	1	SOCKET ASSY .022 X .036 POST	21
-	-	-	-	-	-	-	-	-	-	-	-	-	-	-	-	-	C	204285-9	SELECTIVE GOLD	1	PIN ASSY .022 X .036 POST	20
-	-	-	-	-	-	-	-	-	-	-	-	-	-	-	-	-	C	204285-8	SELECTIVE GOLD	2	PIN ASSY .022 X .036 POST	19
-	-	-	-	-	-	-	-	-	-	-	-	-	-	-	-	-	C	204285-7	SELECTIVE GOLD	3	PIN ASSY .022 X .036 POST	18
-	-	-	-	-	-	-	-	-	-	-	-	-	-	-	-	-	C	204285-6	TIN	1	PIN ASSY .022 X .036 POST	17
-	-	-	-	-	-	-	-	-	-	-	-	-	-	-	-	-	C	204285-5	TIN	2	PIN ASSY .022 X .036 POST	16
-	-	-	-	-	-	-	-	-	-	-	-	-	-	-	-	-	C	204285-4	TIN	3	PIN ASSY .022 X .036 POST	15
-	-	-	-	-	-	-	-	-	-	-	-	-	-	-	-	-	C	204285-3	GOLD/NICKEL	1	PIN ASSY .022 X .036 POST	14
-	-	-	-	-	-	-	-	-	-	-	-	-	-	-	-	-	C	204285-2	GOLD/NICKEL	2	PIN ASSY .022 X .036 POST	13
-	-	-	-	-	-	-	-	-	-	-	-	-	-	-	-	-	C	204285-1	GOLD/NICKEL	3	PIN ASSY .022 X .036 POST	12
-	-	-	-	-	-	-	-	-	-	-	-	-	-	-	-	-	C	1-205171-2	GOLD/NICKEL	3	PIN ASSY .025 X .025 POST	11
-	-	-	-	-	-	-	-	-	-	-	-	-	-	-	-	-	C	1-205171-1	GOLD/NICKEL	2	PIN ASSY .025 X .025 POST	10
-	-	-	-	-	-	-	-	-	-	-	-	-	-	-	-	-	C	1-205171-0	GOLD/NICKEL	1	PIN ASSY .025 X .025 POST	9
-	-	-	-	-	-	-	-	-	-	-	-	-	-	-	-	-	C	205171-9	SELECTIVE GOLD	3	PIN ASSY .025 X .025 POST	8
-	-	-	-	-	-	-	-	-	-	-	-	-	-	-	-	-	C	205171-8	SELECTIVE GOLD	2	PIN ASSY .025 X .025 POST	7
-	-	-	-	-	-	-	-	-	-	-	-	-	-	-	-	-	C	205171-7	SELECTIVE GOLD	1	PIN ASSY .025 X .025 POST	6
-	-	-	-	-	-	-	-	-	-	-	-	-	-	-	-	-	C	205171-3	TIN	3	PIN ASSY .025 X .025 POST	5
-	-	-	-	-	-	-	-	-	-	-	-	-	-	-	-	-	C	205171-2	TIN	2	PIN ASSY .025 X .025 POST	4
-	-	-	-	-	-	-	-	-	-	-	-	-	-	-	-	-	C	205171-1	TIN	1	PIN ASSY .025 X .025 POST	3
1	1	1	1	1	1	1	1	1	1	1	1	1	1	1	1	1	D	2-204281-8	DIALYL PHTHALATE-BLUE	-	BLOCK	2
-	-	-	-	-	-	-	-	-	-	-	-	-	-	-	-	-	D	204281-8	PHENOLIC-BLACK	-	BLOCK	1

7-27-17-06-96-86-76-66-56-46-36-26-16-05-95-85-75-65-5	DWG SIZE	PART NO	REMARKS	TERMINATIONS	DESCRIPTION	ITEM NO
OBS						
OBS						
OBS						
OBS						
OBS						
OBS						

THIS DRAWING IS UNPUBLISHED. IT IS SUBJECT TO CHANGE AND THE CONTROLLING ENGINEERING INFORMATION SHALL BE CONSULTED FOR THE LATEST REVISION.


**TOLERANCES UNLESS OTHERWISE SPECIFIED:**

Ø	PLC	±.005
1	PLC	±.005
2	PLC	±.005
3	PLC	±.005
4	PLC	±.005
5	PLC	±.005

**ANGLES:** ±.005

**FINISH:** ±.005

OWN	T. THOMPSON	09-08-95
CHK	D. MUMMEY	09-08-95
APP'D	D. MUMMEY	09-08-95
PRODUCT SPEC		
APPLICATION SPEC		
HEIGHT		
CUSTOMER DRAWING		



**AMP** Incorporated  
Harrisburg, PA 17105-3608

48 POSITION, HDR, PLUG, W/ JACKSCREW

SIZE	CAGE CODE	DRAWING NO
A1	00779	C=204687
SCALE	8:1	SHEET 3 OF 3

单击下面可查看定价，库存，交付和生命周期等信息

[>>TE Connectivity\(泰科\)](#)