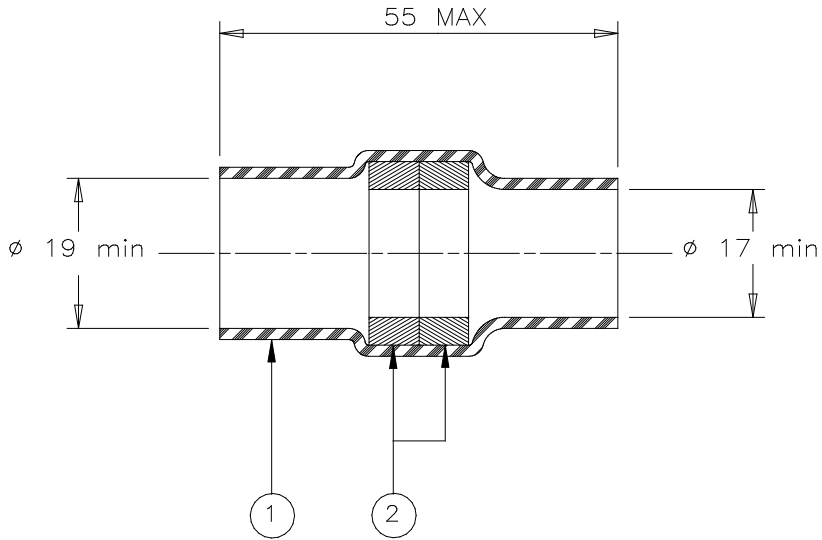


# CUSTOMER DRAWING



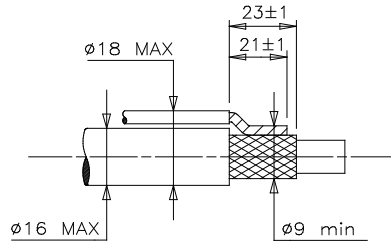
## MATERIALS

1. INSULATION SLEEVE: Heat-shrinkable, transparent clear, radiation cross-linked modified polyolefin.
2. SOLDER PREFORM WITH FLUX:
  - SOLDER: TYPE Cd18 per ANSI-J-STD-006.
  - FLUX: TYPE ROM1 per ANSI-J-STD-004.


## APPLICATION

1. These controlled soldering devices will terminate a ground wire to the tin-plated or bare copper shield of an electrical cable whose insulation is rated at 105°C or higher.
2. Temperature range: -55°C to +125°C. For application tooling, consult your local Raychem technical service.

For best results, prepare the cable as shown:



TE Connectivity, TE connectivity (logo), Raychem, Thermofit, and SolderSleeve are trademarks

		<b>Raychem</b> THERMOFIT DEVICES		TITLE: <b>SOLDERSLEEVE DEVICE, SHIELD                  TERMINATION - LOW TEMPERATURE</b>		
		UNLESS OTHERWISE SPECIFIED DIMENSIONS ARE IN MILLIMETERS.			DOCUMENT NO. <b>B-051-00-04</b>	
TOLERANCES: 0.00 N/A 0.0 N/A 0 N/A	ANGLES: N/A  ROUGHNESS IN MICRON	TE Connectivity reserves the right to amend this drawing at any time. Users should evaluate the suitability of the product for their application.		Revision: <b>C</b>		Issue Date: April 2020
DRAWN BY: M. FORONDA	DATE: 06/15/98	ECO: ECO-20-004959		SCALE: None	SIZE: A	SHEET: 1 of 1

Print Date: 21-Apr-20 If this document is printed it becomes uncontrolled. Check for the latest revision.

单击下面可查看定价，库存，交付和生命周期等信息

[>>TE Connectivity\(泰科\)](#)