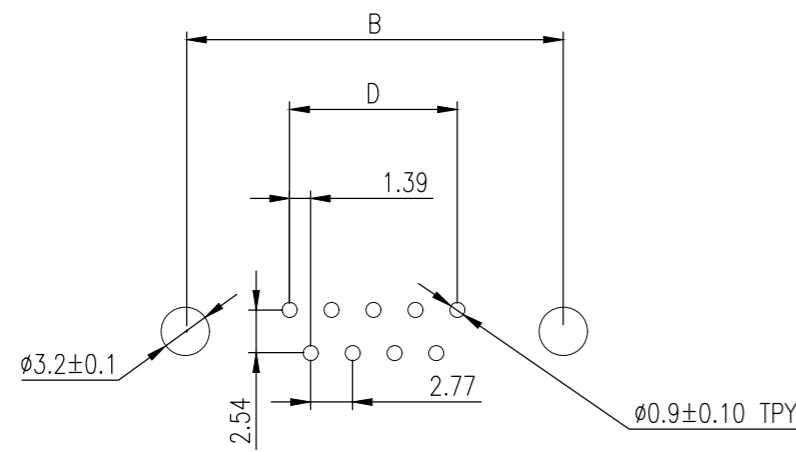
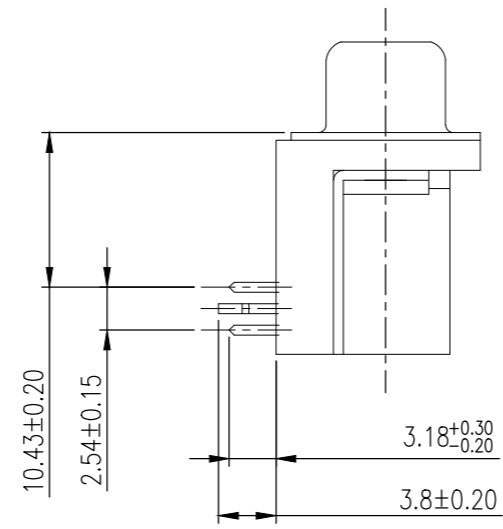
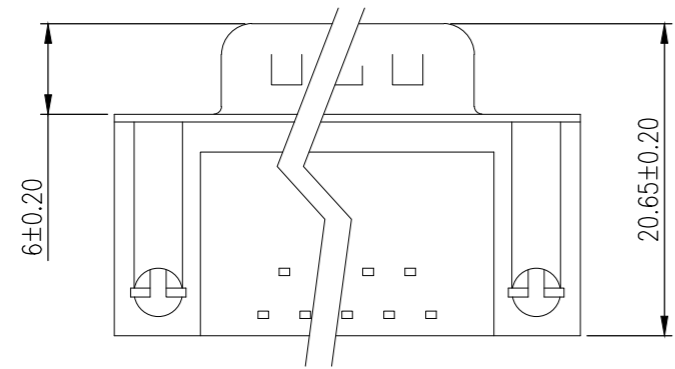
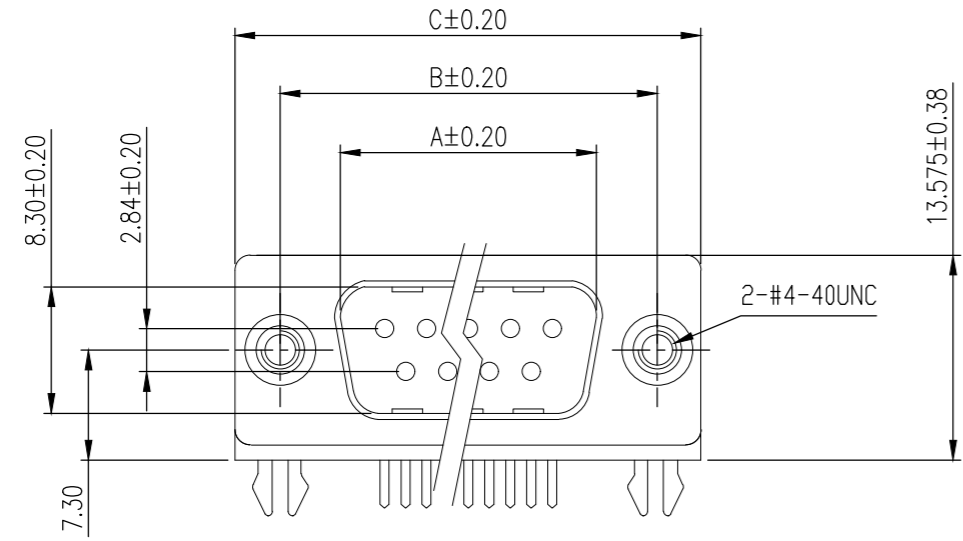


THIS DRAWING IS UNPUBLISHED. RELEASED FOR PUBLICATION  
 © COPYRIGHT - By - ALL RIGHTS RESERVED.

REVISIONS					
P	LTR	DESCRIPTION	DATE	DWN	APVD
H		REVISED PER ECO-18-009360	14JUN2018	AP	DG

PART NUMBER	No. of Contact	A ±0.20	B ±0.20	C ±0.20	D
2301843-1	09	16.90	24.99	30.81	11.08



P.C.B LAYOUT

NOTE:

- MATERIAL:  
 HOUSING: PBT WITH 20% GF UL 94 V-0, BLACK COLOR  
 CONTACTS: BRASS  
 SHELL: STEEL  
 GROUNDING BRACKET: BRASS  
 RIVETED INSERT : BRASS  
 SCREWLOCK: BRASS
- FINISH:  
 CONTACTS: 0.36 μm [15 μ"] GOLD IN CONTACT AREA.  
 2.54 μm [100μ"] MATTE TIN ON SOLDER TAILS  
 1.27 μm [50 μ"] NICKEL UNDERPLATE OVERALL  
 SHELL: 2.54 μm [100μ"] NICKEL  
 RIVET: 1.27 μm [50 μ"] NICKEL  
 SCREWLOCK: 1.27 μm [50 μ"] NICKEL  
 BOARDLOCK: 1.27 μm [50 μ"] MIN NICKEL UNDERPLATE.  
 2.54 μm [100 μ"] MIN MATTE TIN PLATE
- WAVE SOLDER CAPABLE TO 265°C PER TE TEST SPEC. 109-202, CONDITION B.

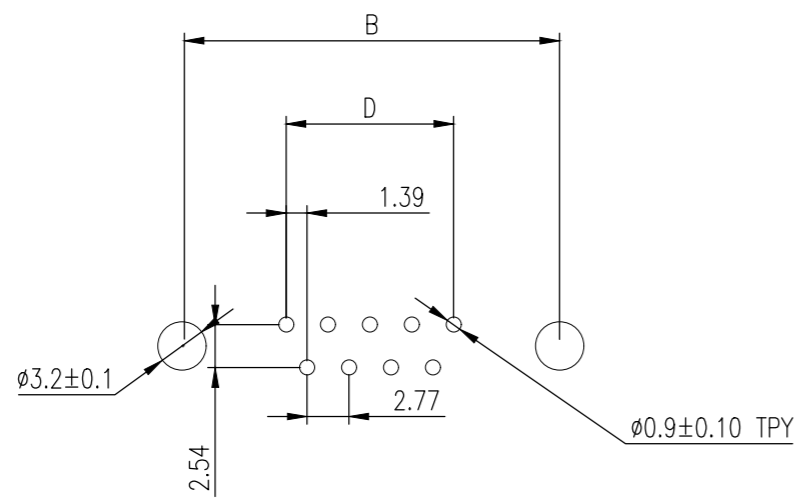
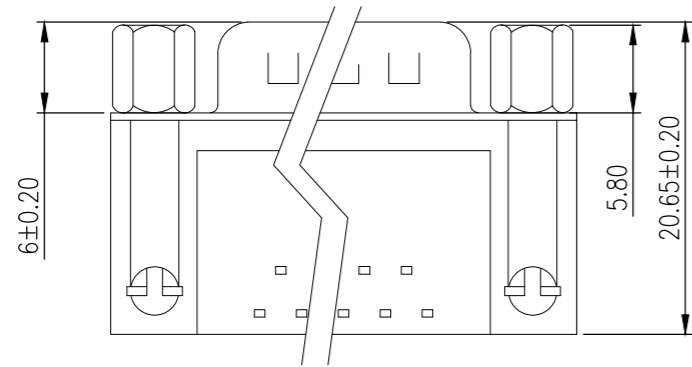
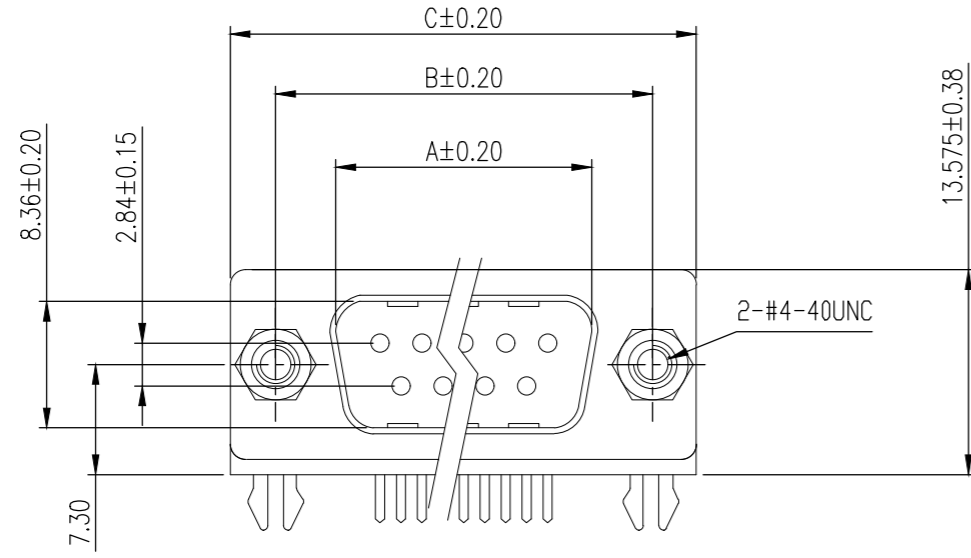
2301843

THIS DRAWING IS A CONTROLLED DOCUMENT.		DWN	AJITH PAI	07FEB2017	9W D PLG W B/L & 4-40 INSERTS 15U" GOLD		2301843-1
DIMENSIONS: mm		CHK	DAN GORENC	07FEB2017	DESCRIPTION		TE PART NO
TOLERANCES UNLESS OTHERWISE SPECIFIED:		APVD		07FEB2017			
0 PLC ± - 1 PLC ± 0.38 2 PLC ± 0.25 3 PLC ± 0.10 4 PLC ± - ANGLES ± 2°		PRODUCT SPEC	108-130013	NAME			
MATERIAL		APPLICATION SPEC			SIZE	CAGE CODE	DRAWING NO
FINISH		WEIGHT	0		A2	00779	C=2301843
		CUSTOMER DRAWING		SCALE	2:1	SHEET	1 of 4
				REV	H		

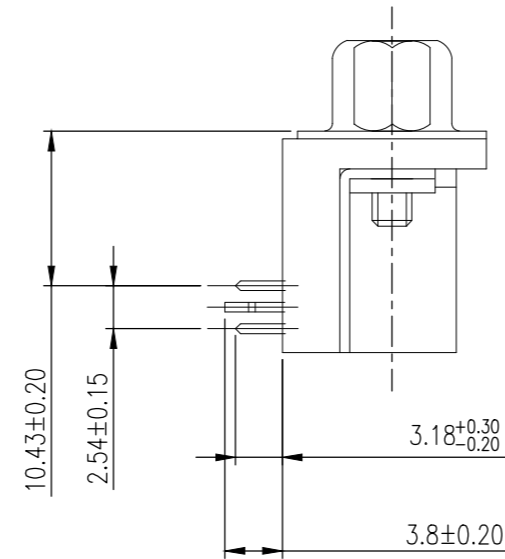
THIS DRAWING IS UNPUBLISHED. RELEASED FOR PUBLICATION  
 © COPYRIGHT - By - ALL RIGHTS RESERVED.

REVISIONS					
P	LTR	DESCRIPTION	DATE	DWN	APVD
-	-	SEE SHEET 1	-	-	-

PART NUMBER	No. of Contact	A ±0.20	B ±0.20	C ±0.20	D
2301843-2	09	16.90	24.99	30.81	11.08



P.C.B LAYOUT

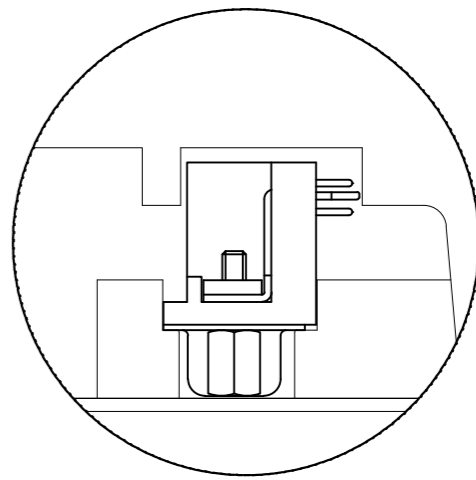
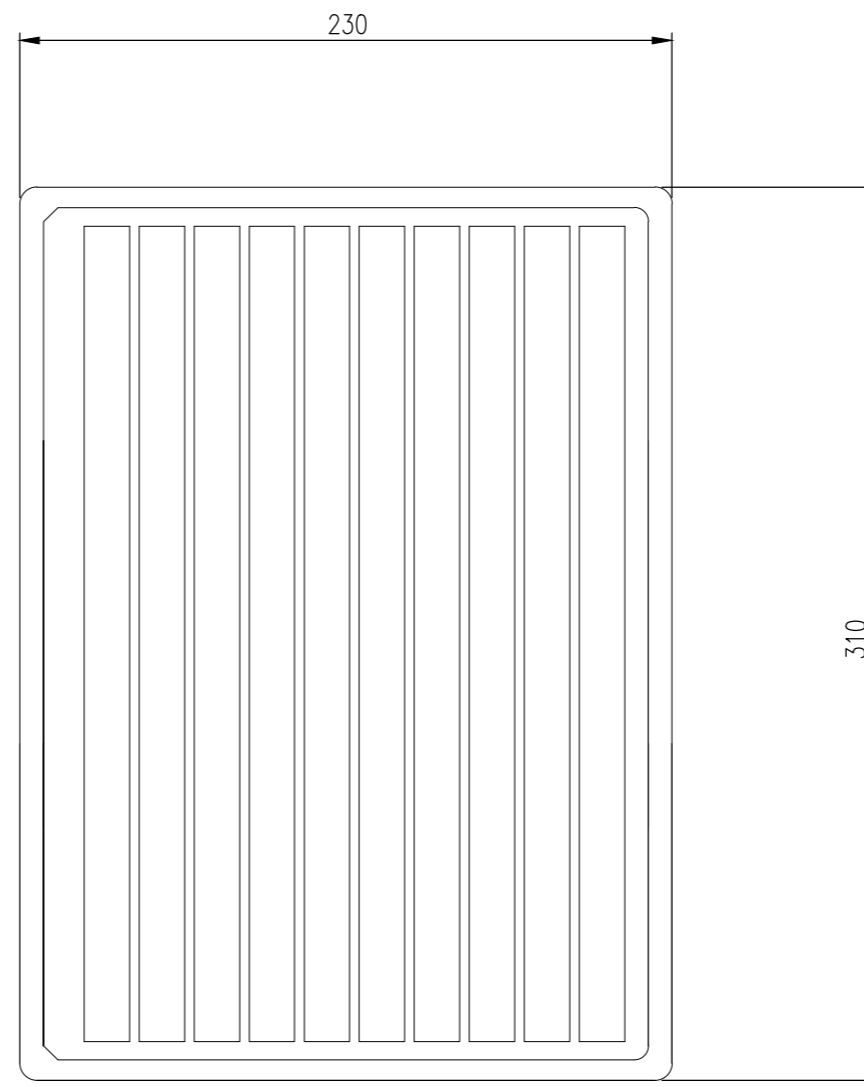
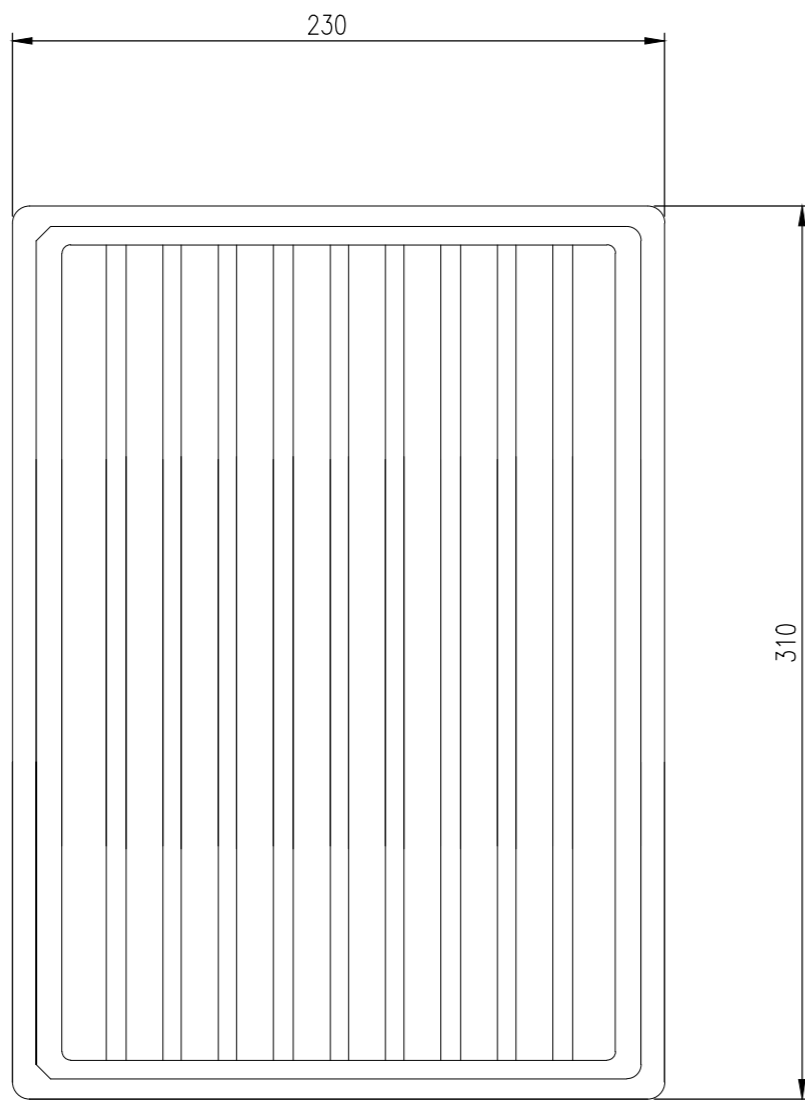
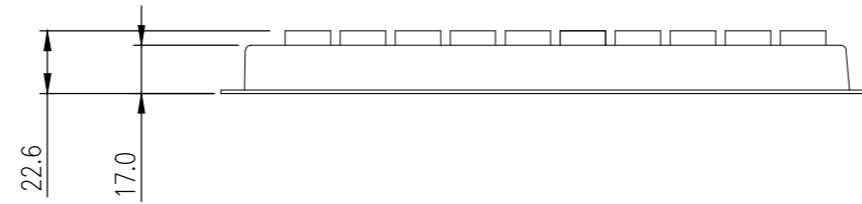
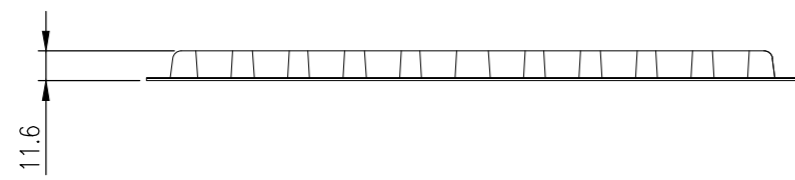


THIS DRAWING IS A CONTROLLED DOCUMENT.		DWN	AJITH PAI	07FEB2017
DIMENSIONS: mm		CHK	DAN GORENC	07FEB2017
TOLERANCES UNLESS OTHERWISE SPECIFIED:		APVD	-	07FEB2017
0 PLC ± - 1 PLC ± 0.38 2 PLC ± 0.25 3 PLC ± 0.10 4 PLC ± - ANGLES ± -		PRODUCT SPEC	108-130013	
MATERIAL -		FINISH	-	
		WEIGHT	0	
		CUSTOMER DRAWING		

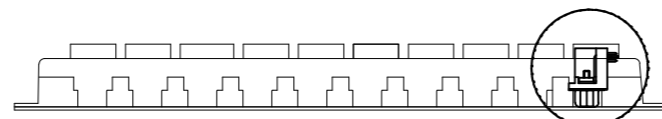
9W D PLG W B/L & 4-40 S/LOCK 15U" GOLD			2301843-2
DESCRIPTION			TE PART NO
<b>TE</b> TE Connectivity			
9 WAY D-SUB PLUG WITH BOARD LOCK			
SIZE	CAGE CODE	DRAWING NO	RESTRICTED TO
A2	00779	C=2301843	-
SCALE	SHEET	OF	REV
2:1	2	4	H

THIS DRAWING IS UNPUBLISHED. RELEASED FOR PUBLICATION  
 © COPYRIGHT - By - ALL RIGHTS RESERVED.

REVISIONS					
P	LTR	DESCRIPTION	DATE	DWN	APVD
-	-	SEE SHEET 1	-	-	-



DETAIL A



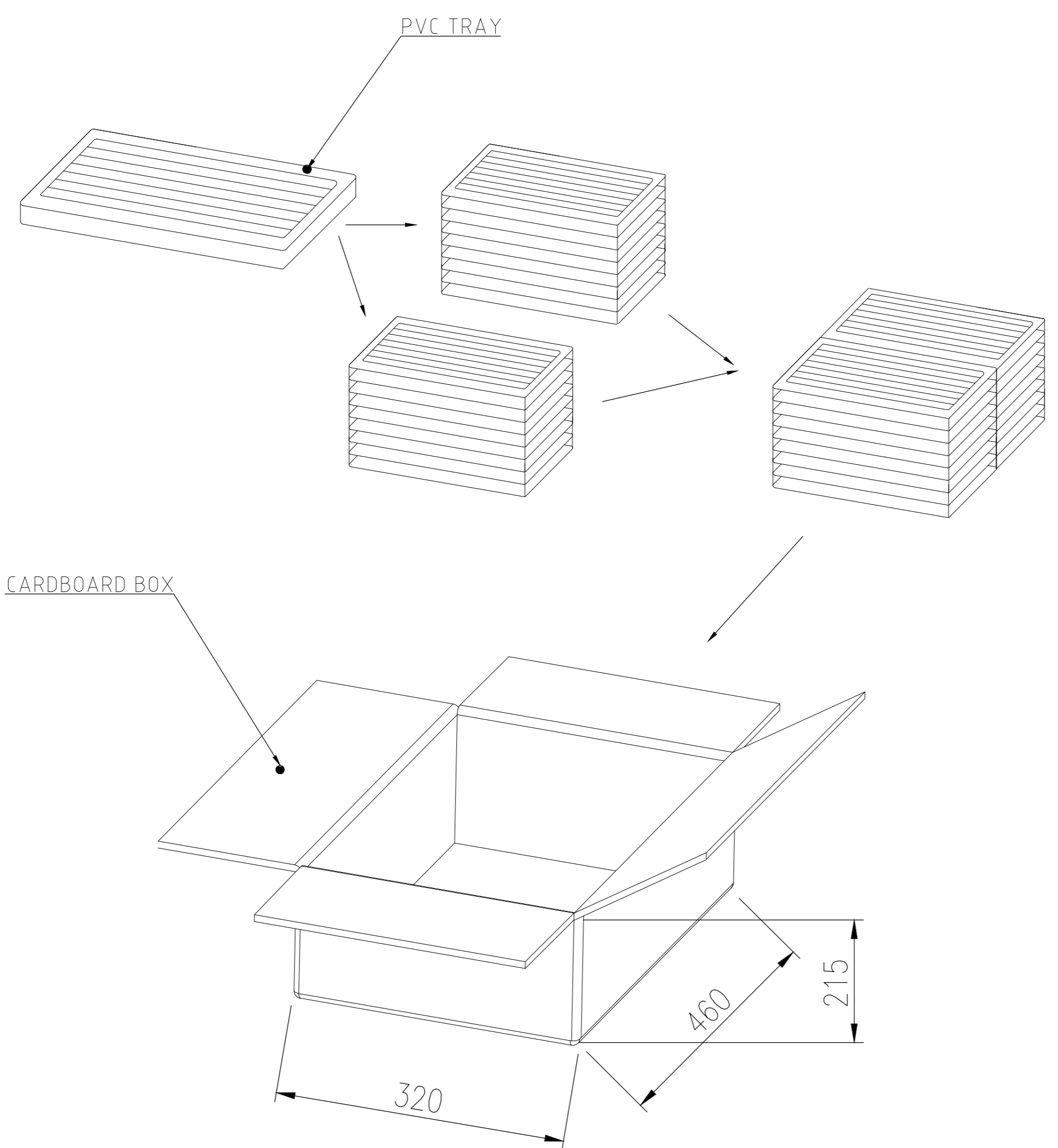
DETAIL A

THIS DRAWING IS A CONTROLLED DOCUMENT.		DWN AJITH PAI 07FEB2017			
		CHK DAN GORENC 07FEB2017			
		APVD - 07FEB2017	NAME		
DIMENSIONS: mm		PRODUCT SPEC 108-130013		9 WAY D-SUB PLUG WITH BOARD LOCK	
		TOLERANCES UNLESS OTHERWISE SPECIFIED:		RESTRICTED TO	
		0 PLC ± - 1 PLC ± 0.38 2 PLC ± 0.25 3 PLC ± 0.10 4 PLC ± - ANGLES ± -		-	
MATERIAL		FINISH		SIZE A2	CAGE CODE 00779
-		-		DRAWING NO C=2301843	SCALE 3:1
		WEIGHT 0		SHEET 3 of 4	REV H
		CUSTOMER DRAWING			

2301843

THIS DRAWING IS UNPUBLISHED. RELEASED FOR PUBLICATION  
 © COPYRIGHT - By - ALL RIGHTS RESERVED.

REVISIONS					
P	LTR	DESCRIPTION	DATE	DWN	APVD
-	-	SEE SHEET 1	-	-	-



15.326	13.306	90	16	1440	2301843-2
12.734	10.714	90	16	1440	2301843-1
GROSS WEIGHT (Kg)	NET WEIGHT (Kg)	PCS/TRAY	TRAYS /CARTON	QUANTITY PCS	PART NUMBER

THIS DRAWING IS A CONTROLLED DOCUMENT.		DWN AJITH PAI 07FEB2017			
DIMENSIONS: mm		CHK DAN GORENC 07FEB2017			
TOLERANCES UNLESS OTHERWISE SPECIFIED:		APVD - 07FEB2017	NAME 9 WAY D-SUB PLUG WITH BOARD LOCK		
0 PLC ± -		PRODUCT SPEC 108-130013	SIZE A2	CAGE CODE 00779	DRAWING NO C=2301843
1 PLC ± 0.38		APPLICATION SPEC -	RESTRICTED TO -		
2 PLC ± 0.25		WEIGHT 0	SCALE 1:1		
3 PLC ± 0.10		CUSTOMER DRAWING	SHEET 4 of 4		
4 PLC ± -		REV H			
ANGLES ± -					
FINISH -					

2301843

单击下面可查看定价，库存，交付和生命周期等信息

[>>TE Connectivity\(泰科\)](#)