

THIS DRAWING IS UNPUBLISHED.

RELEASED FOR PUBLICATION

20

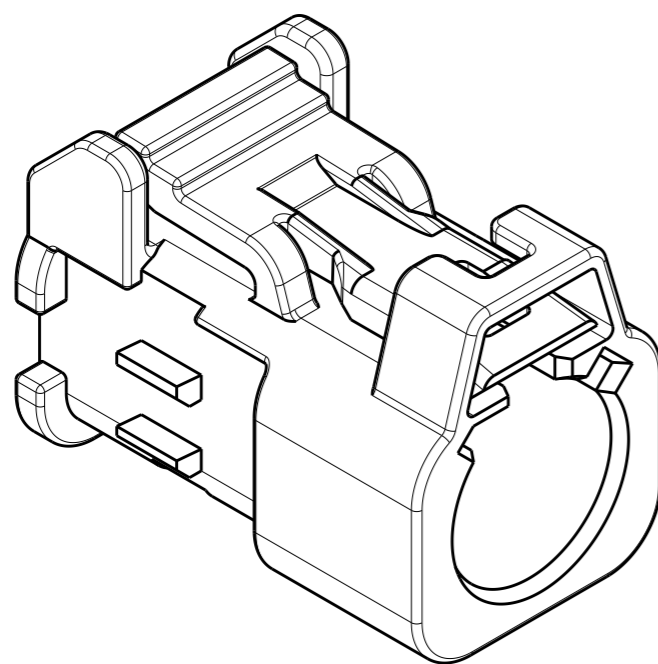
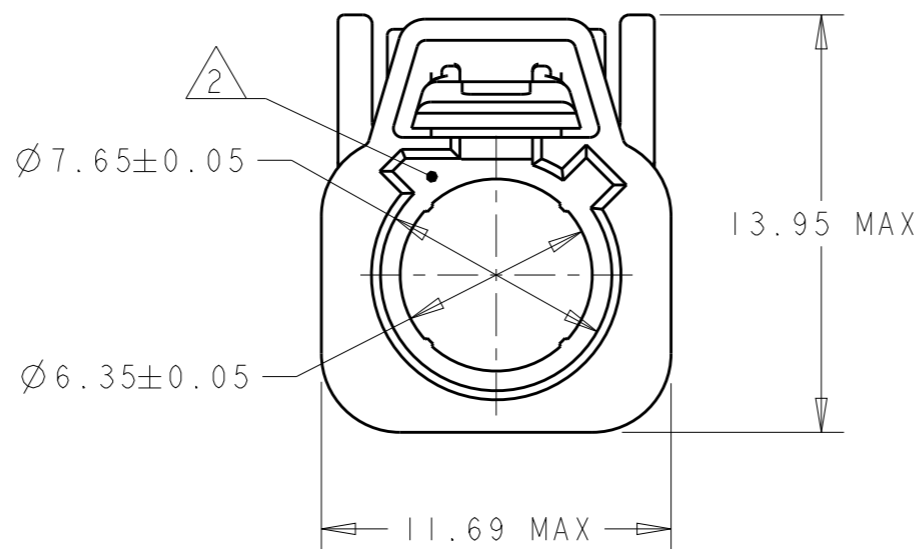
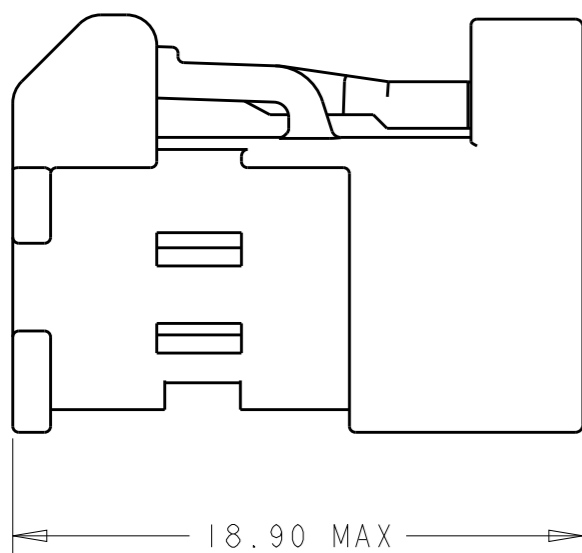
© COPYRIGHT 20 BY -

ALL RIGHTS RESERVED.

REVISIONS

P	LTR	DESCRIPTION	DATE	DWN	APVD
	A1	REVISED PER ECO-15-018523	29DEC2015	DD	LV
	A2	REVISED PER ECO-16-005357	06APR2016	DD	LV

- 1 POLYESTER PBT, COLOR: SEE TABLE.
- 2 PLUG HOUSING ACCEPTS JACK HOUSINGS MEETING DIN 72594-1, ROAD VEHICLES - RADIO FREQUENCY INTERFACE - DIMENSIONS AND ELECTRICAL REQUIREMENTS.
- 3. SEE INSTRUCTION SHEET 408-10028.



ISOMETRIC VIEW

PER DETAIL B	B	SIGNAL WHITE	2138710-2
PER DETAIL A	A	JET BLACK	2138710-1
KEYING	CODING REF	HOUSING COLOR	PART NUMBER.

THIS DRAWING IS A CONTROLLED DOCUMENT.		DWN K. PETERSON 28SEP2011				
DIMENSIONS: mm		CHK L. VARSIK 28SEP2011				
		APVD L. VARSIK 28SEP2011				
TOLERANCES UNLESS OTHERWISE SPECIFIED:		PRODUCT SPEC	NAME PLUG HOUSING, 1 POSITION, FAKRA, SMB			
0 PLC ±- 1 PLC ±- 2 PLC ±- 3 PLC ±- 4 PLC ±- ANGLES ±-		APPLICATION SPEC 114-13157	SIZE A3	CAGE CODE 00779	DRAWING NO C-2138710	RESTRICTED TO -
MATERIAL - 1		WEIGHT -	SCALE 4:1		SHEET 1 OF 2	REV A2
		CUSTOMER DRAWING				

THIS DRAWING IS UNPUBLISHED.

RELEASED FOR PUBLICATION

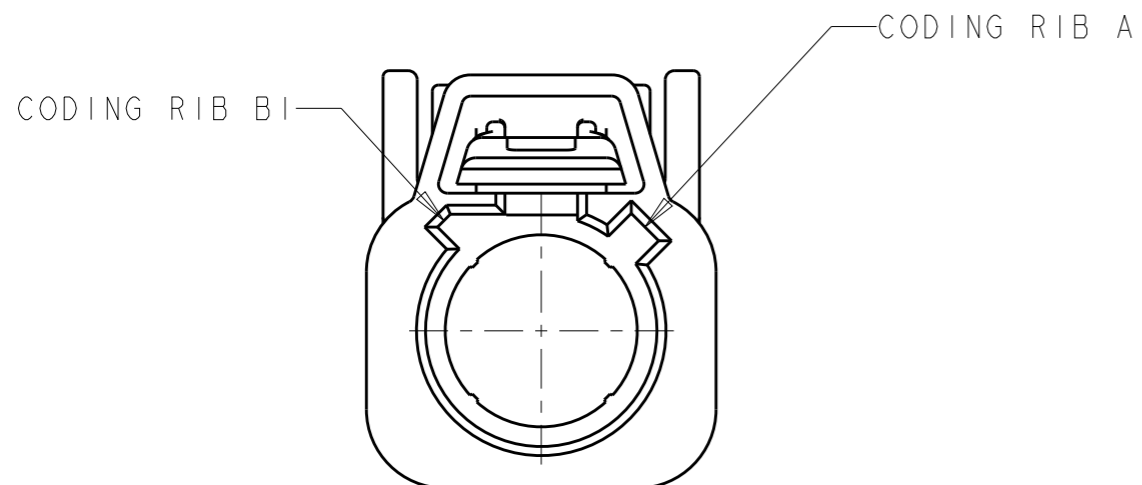
20

© COPYRIGHT 20 BY -

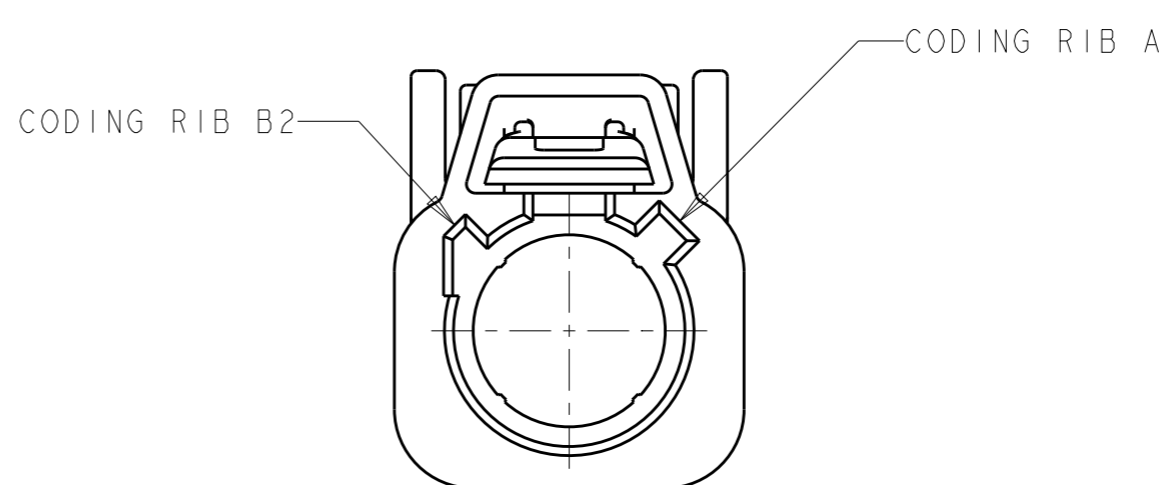
ALL RIGHTS RESERVED.

REVISIONS


P	LTR	DESCRIPTION	DATE	DWN	APVD
-		SEE SHEET 1	-	-	-



DETAIL A



DETAIL B

THIS DRAWING IS A CONTROLLED DOCUMENT.		DWN K. PETERSON 28SEP2011	 TE Connectivity		
DIMENSIONS: mm		CHK L. VARSIK 28SEP2011			
TOLERANCES UNLESS OTHERWISE SPECIFIED:		APVD L. VARSIK 28SEP2011	NAME PLUG HOUSING, 1 POSITION, FAKRA, SMB		
0 PLC ±- 1 PLC ±- 2 PLC ±- 3 PLC ±- 4 PLC ±- ANGLES ±-		PRODUCT SPEC -	RESTRICTED TO -		
MATERIAL -		APPLICATION SPEC 114-13157	SIZE A3	CAGE CODE 00779	DRAWING NO C-2138710
FINISH -		WEIGHT -	SCALE 4:1		
		CUSTOMER DRAWING		SHEET 2 OF 2	
				REV A2	

单击下面可查看定价，库存，交付和生命周期等信息

[>>TE Connectivity\(泰科\)](#)