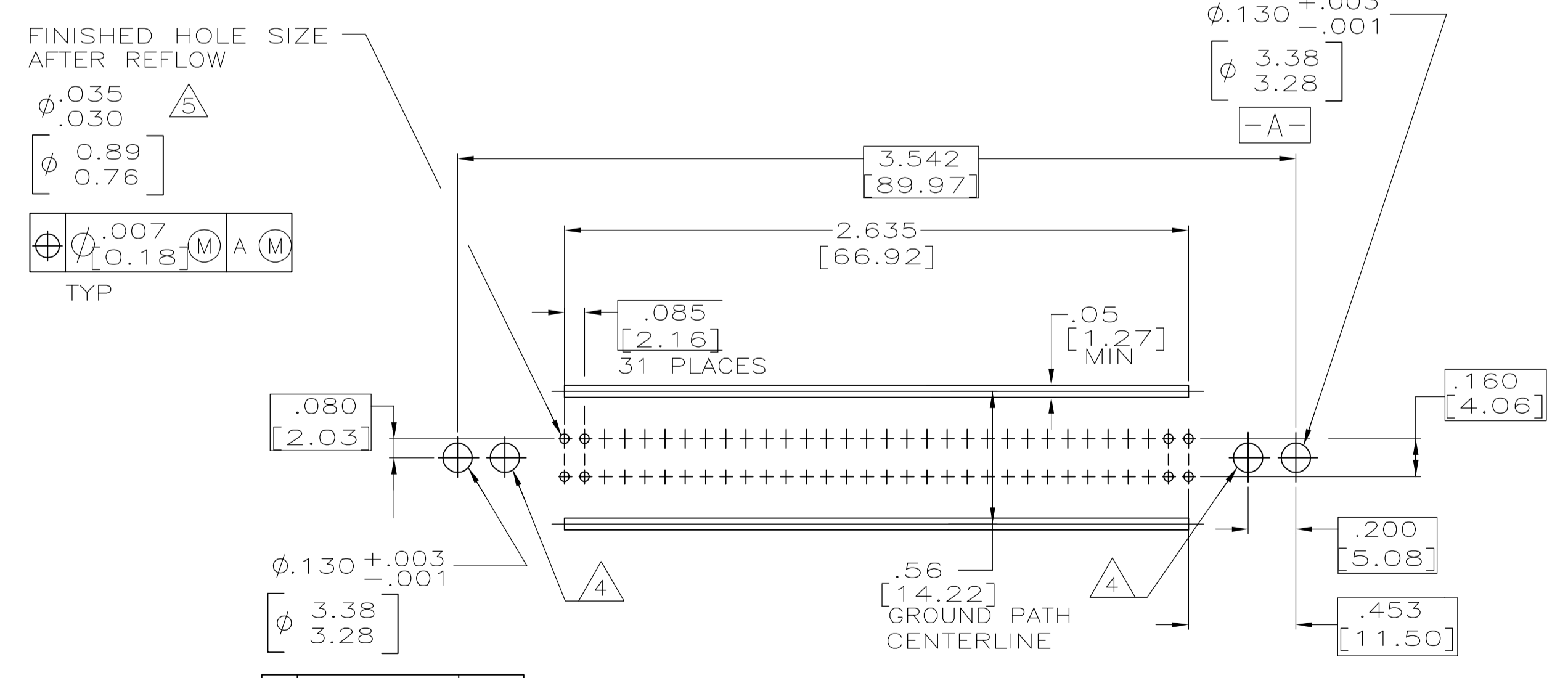
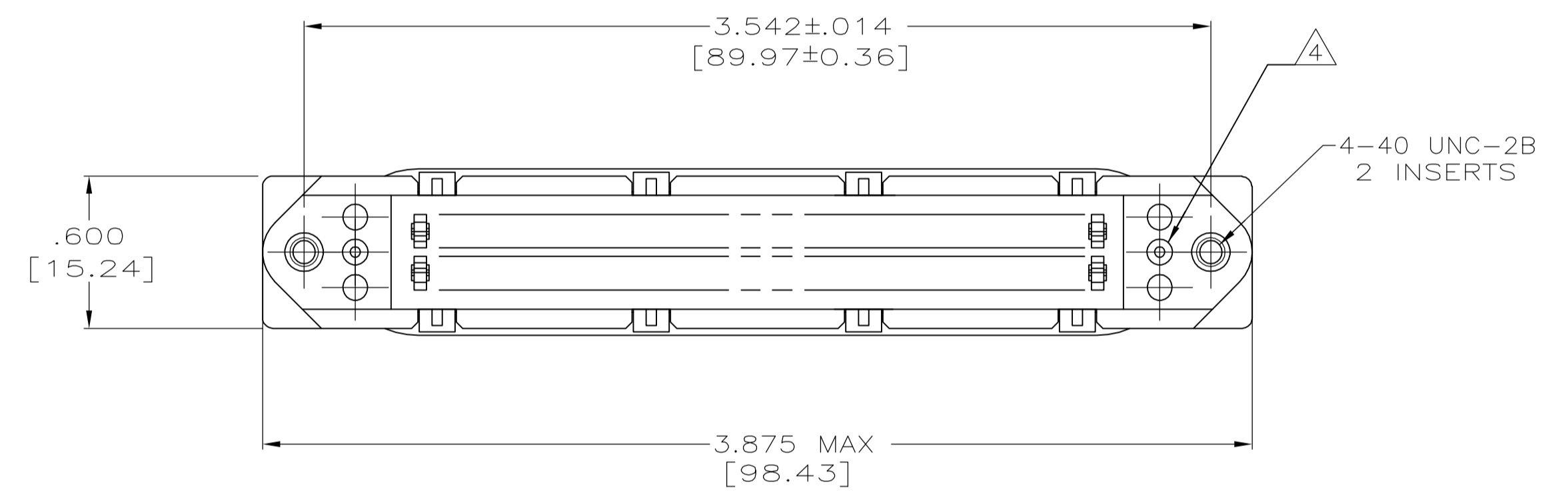
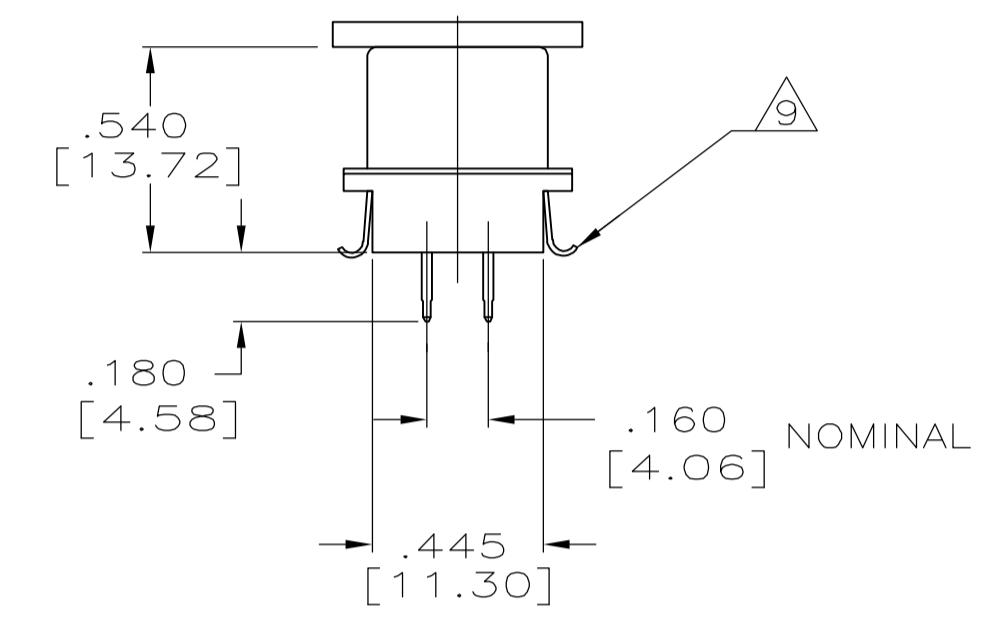
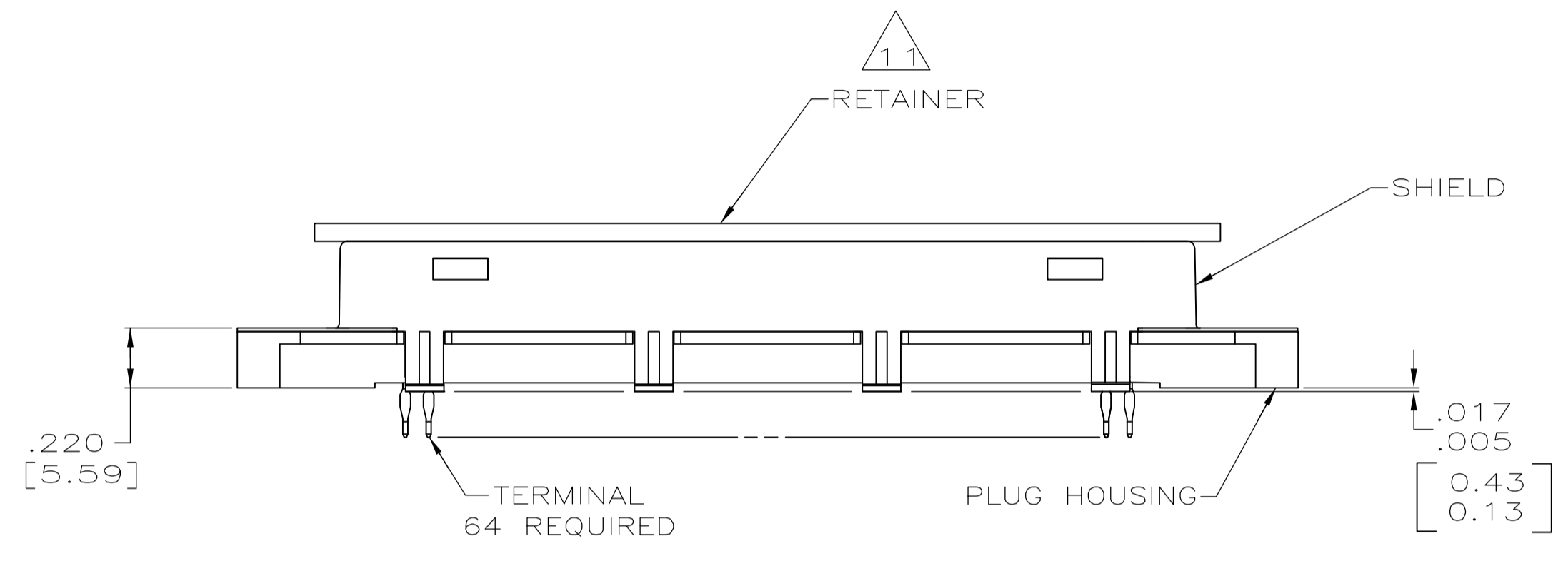
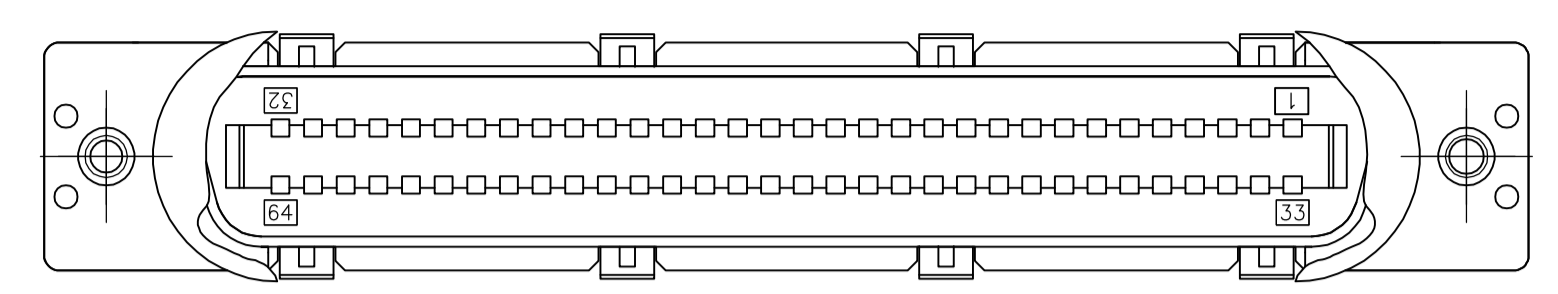


LOC		DIST		REVISIONS			
GP	00	P	L/R	DESCRIPTION	DATE	OWN	APVD
		J		REVISED PER ECO-06-025935	12/FEB/07	ZMR	WLM



PRINTED CIRCUIT BOARD MOUNTING DIMENSIONS

- 1. ALL DIMENSIONS SHOWN ARE MAXIMUM UNLESS OTHERWISE SPECIFIED.
- 2. MATERIAL: HOUSING - POLYPHENYLENE OXIDE, BLACK.  
SHIELD - CARBON STEEL PLATED WITH .000200 [5.08µm] MINIMUM NICKEL.  
TERMINALS - PHOSPHOR BRONZE PLATED WITH .000030 [0.76µm] MINIMUM GOLD PLATE IN LOCALIZED PLATE AREA OVER .000050 [1.27µm] MINIMUM ELECTROLESS NICKEL.  
RETAINER - POLYETHYLENE, NATURAL  
INSERTS - BRASS, PLATED WITH .000100[2.54µm] MINIMUM BRIGHT ZINC.  
556622-2 PLATED WITH MATTE TIN-LEAD 93-7% .000100-.000180[2.54µm-4.57µm] THICK ON ACTION PIN AREA.
- 3. THE CONTACT SURFACES OF THE TERMINALS ARE COATED WITH LUBRICANT.
- 4. OPTIONAL MOUNTING HOLE FOR SELF-TAPPING SCREW.
- 5. ALL PLATED-THRU HOLES SHALL BE PER AMP SPEC 115-6072.
- 6. FOR NON-PANEL MOUNT APPLICATIONS USE BAIL LOCK HARDWARE KIT NO. 556614-1.
- 7. CENTER-TO-CENTER SPACING OF TERMINALS IS .085 NOMINAL.
- 8. DIMENSIONS IN [ ] ARE MILLIMETERS.
- 9. GROUND TABS (8) PLACES.
- 10. 50 LBS MINIMUM FORCE REQUIRED TO UNSEAT CONNECTOR FROM PRINTED CIRCUIT BOARD WITHOUT USE OF HARDWARE.
- 11. RETAINER MUST REMAIN INSTALLED UNTIL AFTER CONNECTOR HAS BEEN INSERTED INTO PCB HOLES.
- 12. OBSOLETE

Sn-Pb	556622-2
Au	556622-1
PIN PLATING	PART NUMBER

THIS DRAWING IS A CONTROLLED DOCUMENT.		DIN R NELSON 10-17-89	Tyco Electronics Corporation Harrisburg, PA 17105-3608
DIMENSIONS: INCHES[mm]		CHK B FOX 12-19-89	
TOLERANCES UNLESS OTHERWISE SPECIFIED:		APVD R NELSON 12-19-89	NAME RECEPTACLE ASSEMBLY, 64 POSITION, SHIELDED, ACTION PIN, WITH 4-40 HOLES
0 PLC ± -		PRODUCT SPEC 108-6019	
1 PLC ± -		APPLICATION SPEC 114-6027	RESTRICTED TO
2 PLC ± -		SIZE A1	
3 PLC ± -		WEIGHT -	SCALE 2:1 SHEET 1 OF 1 REV J
4 PLC ± -		CUSTOMER DRAWING	
ANGLES ± -			
FINISH			

单击下面可查看定价，库存，交付和生命周期等信息

[>>TE Connectivity\(泰科\)](#)