

THIS DRAWING IS UNPUBLISHED.

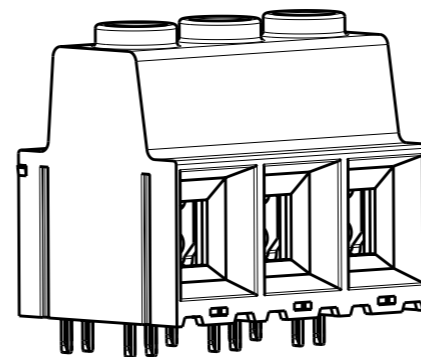
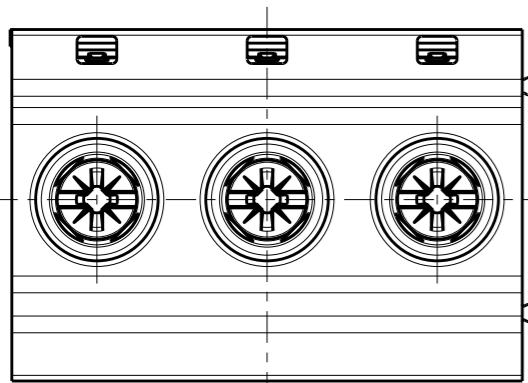
RELEASED FOR PUBLICATION

2011

© COPYRIGHT 2011

ALL RIGHTS RESERVED.

| LOC | DIST | REVISIONS   |                           |           |        |
|-----|------|-------------|---------------------------|-----------|--------|
| P   | LTR  | DESCRIPTION | DATE                      | DWN       | APVD   |
| AI  | -    | B           | REVISED PER ECO-12-005569 | 22MAR2012 | HRY MS |

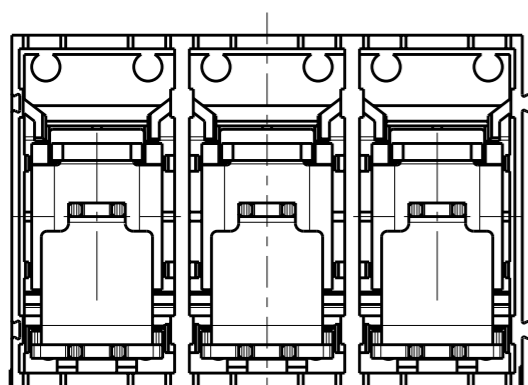
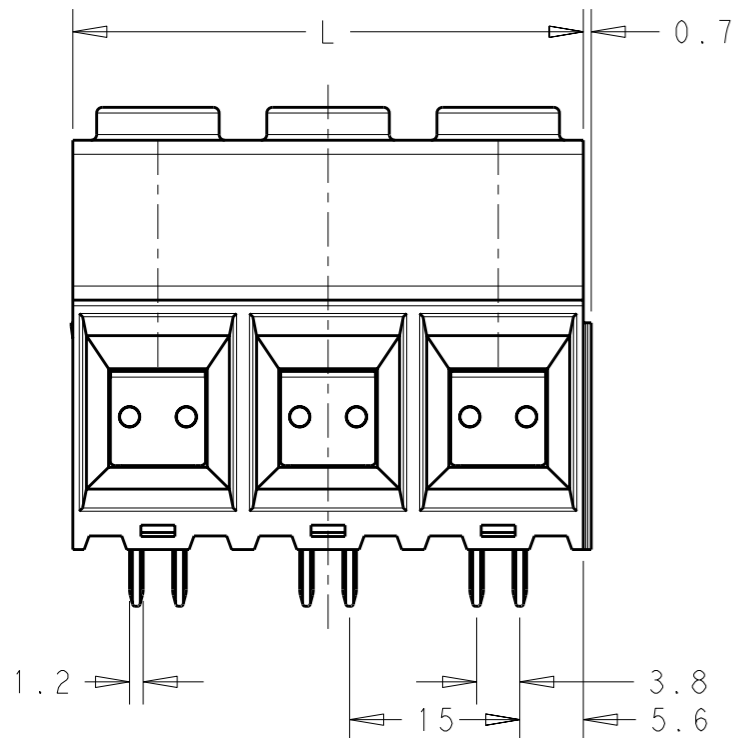
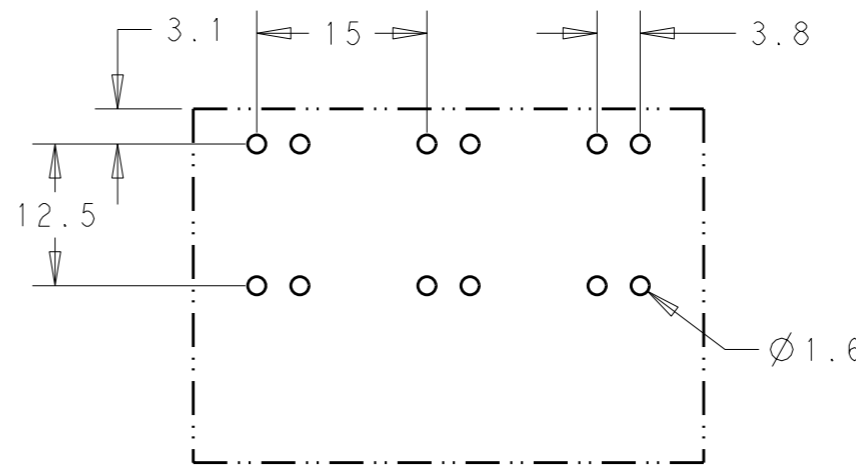
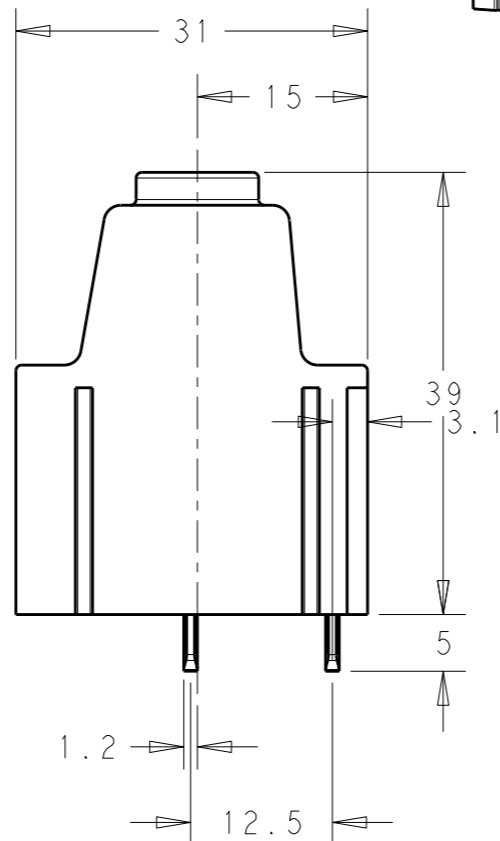


MATERIALS:  
 HOUSING-POLYAMIDE, COLOR-GREEN  
 SCREW- M5,NICKEL PLATED STEEL.  
 CLAMP- TIN PLATED STEEL.  
 PIN-TIN OVER NICKEL PLATED COPPER ALLOY.

MECHANICAL:  
 PCB THICKNESS-2.40 MAX  
 PCB HOLE DIAMETER-1.60 MIN  
 STRIP LENGTH-18 MM  
 OPERATING TEMPERATURE--40°C TO +110°C  
 TORQUE-2.1~2.5 Nm

ELECTRICAL:  
 WIRE RANGE- 20 TO 1 AWG  
 VOLTAGE RATING- 600 VOLTS  
 CURRENT RATING-130 AMP FIELD WIRING; 135 AMP FACTORY WIRING  
 CONTACT RESISTANCE-15 MILLOHM MAX  
 INSULATION RESISTANCE-10<sup>9</sup> OHMS MIN (500V DC)

SCALE 1:1  
 -3 AS SHOWN



|        |      |             |
|--------|------|-------------|
| 180.00 | 12   | 1-1986713-2 |
| 165.00 | 11   | 1-1986713-1 |
| 150.00 | 10   | 1-1986713-0 |
| 135.00 | 9    | 1986713-9   |
| 120.00 | 8    | 1986713-8   |
| 105.00 | 7    | 1986713-7   |
| 90.00  | 6    | 1986713-6   |
| 75.00  | 5    | 1986713-5   |
| 60.00  | 4    | 1986713-4   |
| 45.00  | 3    | 1986713-3   |
| 30.00  | 2    | 1986713-2   |
| DIM L  | POLE | PART NUMBER |

|  |  |                                  |  |  |
|--|--|----------------------------------|--|--|
| THIS DRAWING IS A CONTROLLED DOCUMENT.                                       |  | DWN 12SEP2011<br>RAGHAVENDRA     | TE Connectivity  |  |
| DIMENSIONS:<br>mm  |  | CHK 12SEP2011<br>SARVER MICHAEL  |  |  |
| TOLERANCES UNLESS OTHERWISE SPECIFIED:                                       |  | APVD 12SEP2011<br>SARVER MICHAEL | NAME<br>POWER TERMINAL BLOCK, SOLDERABLE<br>UP TO 275DEG C DOUBLE PIN MODULAR<br>02 - 12 POLES PITCH 15.00mm |  |
| 0 PLC ±-<br>1 PLC ±0.50<br>2 PLC ±0.25<br>3 PLC ±-<br>4 PLC ±-<br>ANGLES ±1° |  | PRODUCT SPEC                     | SIZE CAGE CODE DRAWING NO RESTRICTED TO  |  |
| MATERIAL - FINISH -  |  | APPLICATION SPEC                 | A300779 C-1986713  |  |
|  |  | WEIGHT -                         | SCALE 1:1 SHEET 1 OF 1 REV B   |  |
|  |  | CUSTOMER DRAWING                 |  |  |

单击下面可查看定价，库存，交付和生命周期等信息

[>>TE Connectivity\(泰科\)](#)