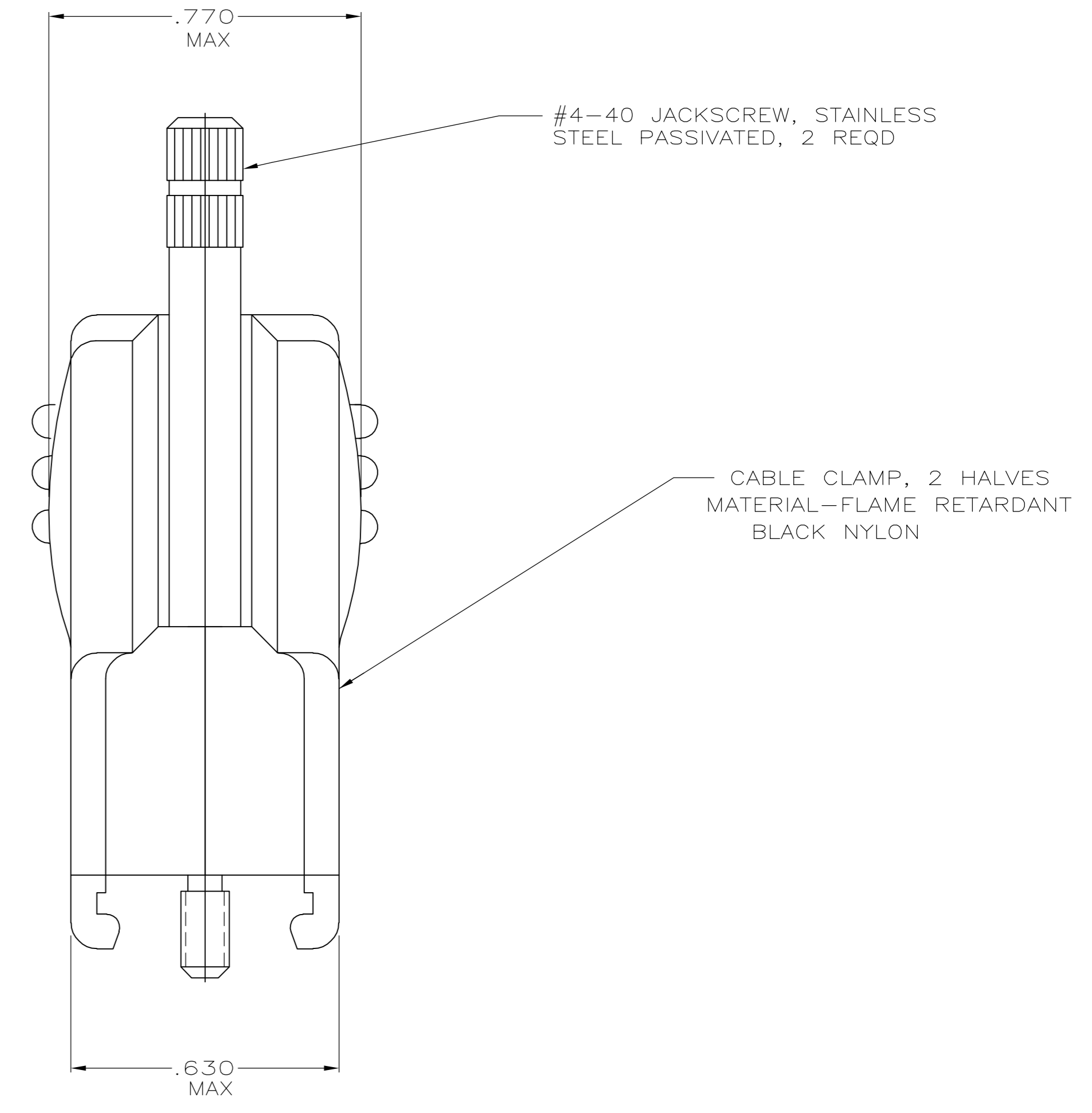
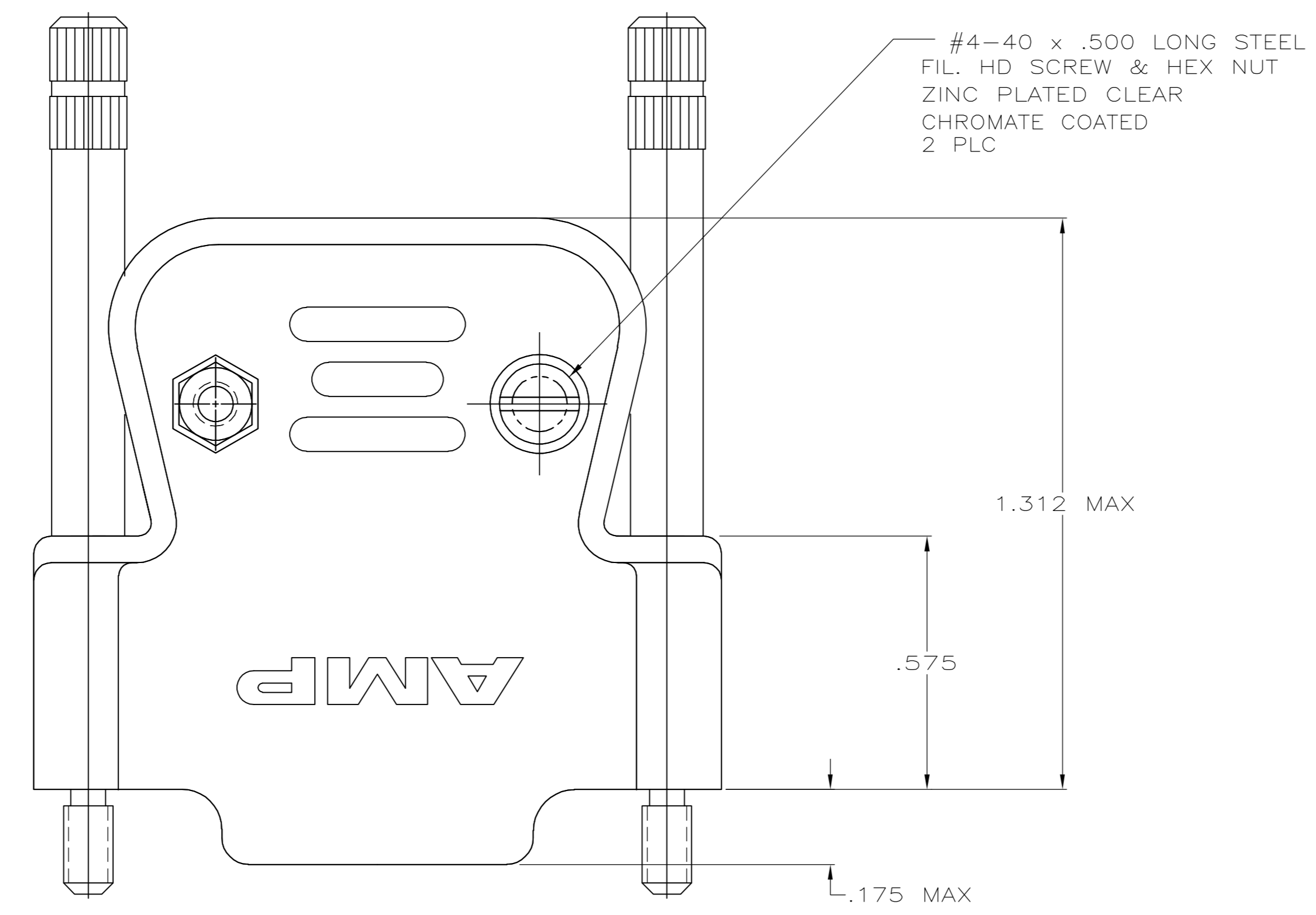
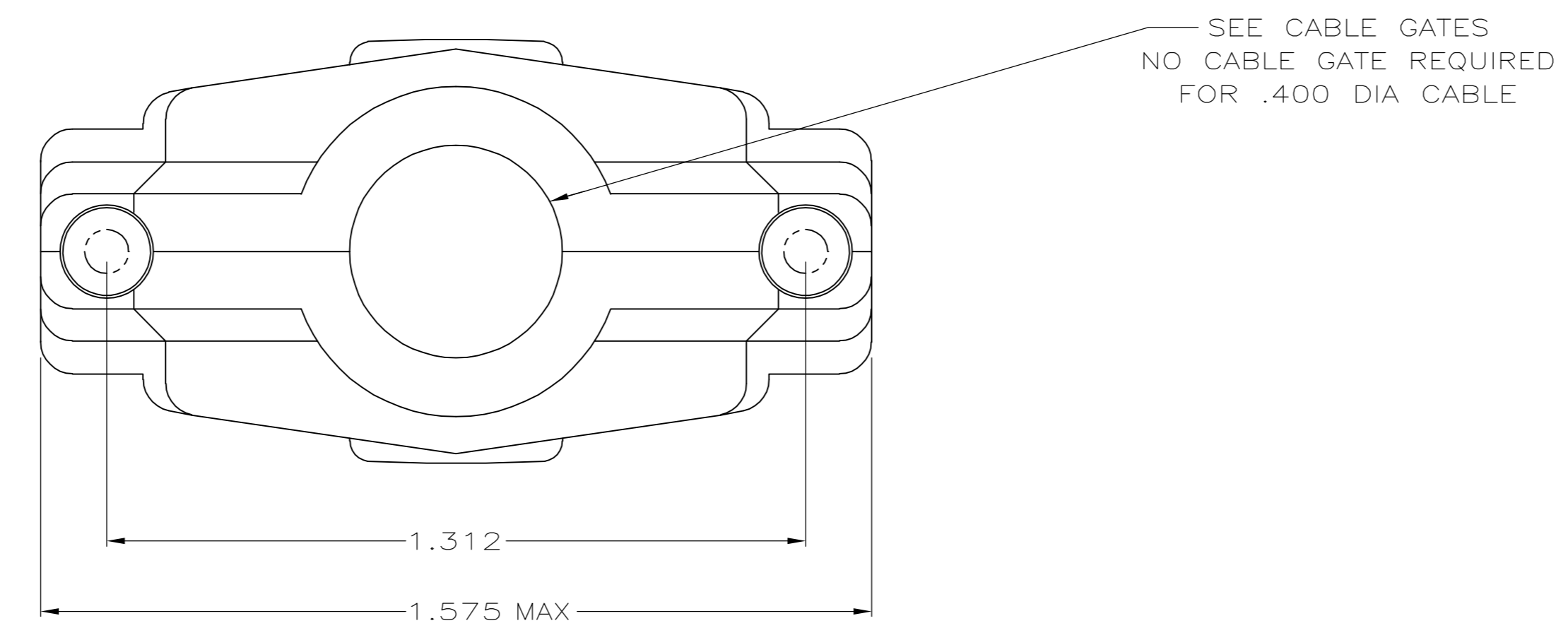


CABLE GATES



1. PARTS PACKAGED UNASSEMBLED.

5745122-2  
 PART NO

THIS DRAWING IS A CONTROLLED DOCUMENT.		DWN: R. RICHARDSON 14SEP05		Tyco Electronics Corporation Harrisburg, PA 17105-3608
DIMENSIONS: INCHES		CHK: C. ROHDE 14SEP05		APVD: M. WALMSLEY 14SEP05
TOLERANCES UNLESS OTHERWISE SPECIFIED:		PRODUCT SPEC		APPLICATION SPEC
0 PLC ± - 1 PLC ± - 2 PLC ± - 3 PLC ± - 4 PLC ± - ANGLES ± ±		MATERIAL: SEE CALLOUTS		FINISH: SEE CALLOUTS
MATERIAL: SEE CALLOUTS		WEIGHT: -		RESTRICTED TO: -
CUSTOMER DRAWING		SIZE: A1	CAGE CODE: 00779	DRAWING NO: 5745122
SCALE: 4:1		SHEET 1 OF 1		REV: 0

单击下面可查看定价，库存，交付和生命周期等信息

[>>TE Connectivity\(泰科\)](#)