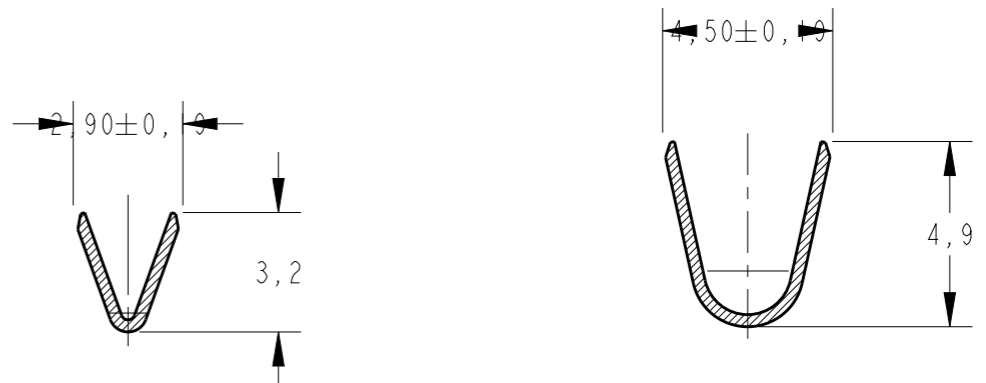
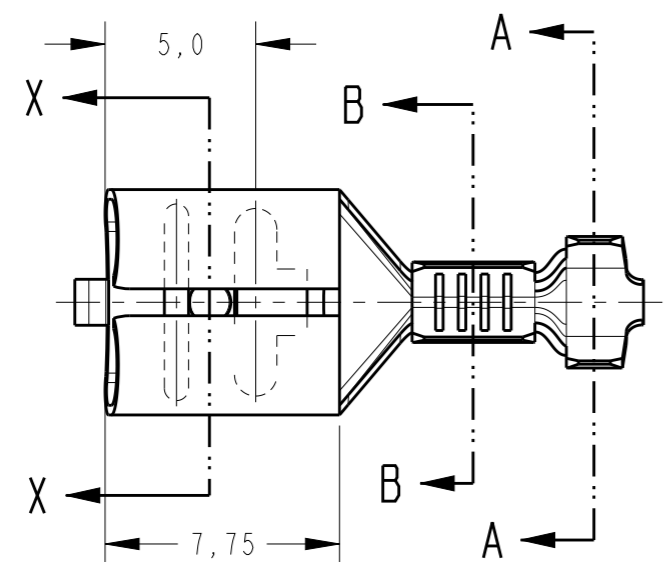


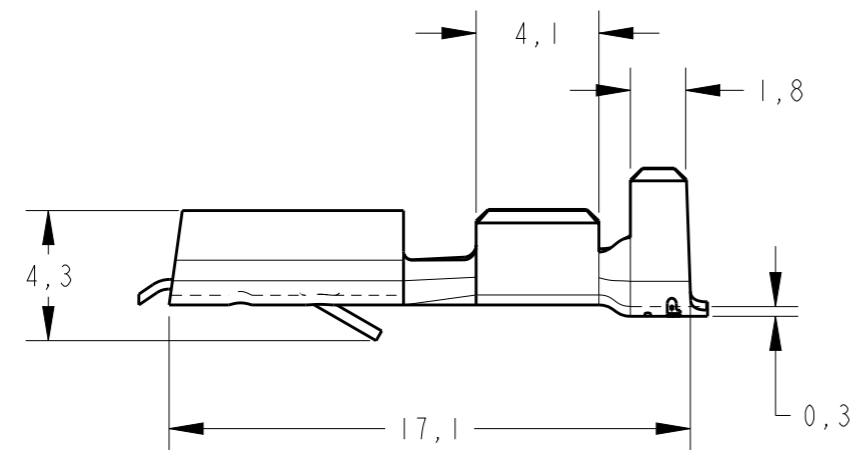
THIS DRAWING IS UNPUBLISHED. RELEASED FOR PUBLICATION 2012  
 © COPYRIGHT 2012 BY TE CONNECTIVITY ALL RIGHTS RESERVED.

LOC	DIST	REVISIONS			
P	LTR	DESCRIPTION	DATE	DWN	APVD
AP	-				
	J2	REDRAW BY CAD ECO-12-014149	27AUG2012	NCL	DAO
	J3	REVISED BY ECO 16-003725	23JUN2016	HC	WLS



SECTION B-B  
SCALE 5:1

SECTION A-A  
SCALE 5:1

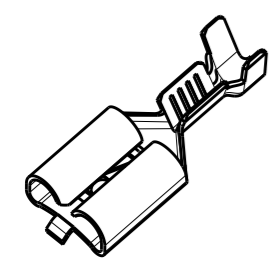


<b>OBSOLETE</b>		BRONZE FOSFOROSO	626094 -6
<b>OBSOLETE</b>	PRATEADO	LATÃO / BRASS	626094 -5
<b>OBSOLETE</b>	ESTANHADO / TIN PLATED	LATÃO / BRASS	626094 -4
<b>OBSOLETE</b>		BRONZE FOSFOROSO	626094 -3
	ESTANHADO / TIN PLATED	LATÃO / BRASS	626094 -2
		LATÃO / BRASS	626094 -1
	FINISH	MATERIAL	PART NUMBER

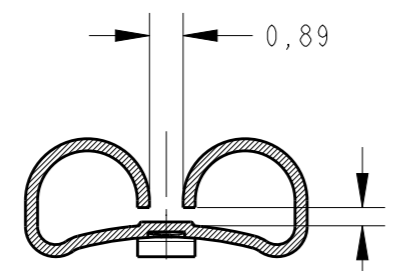
INS. RANGE	WIRE RANGE
Ø2,28-3,30mm	>0,50-1,00mm <sup>2</sup>

THIS DRAWING IS A CONTROLLED DOCUMENT.

DWN	NCLAPRESA	12 JUL 2012	 TE Connectivity
CHK	JRGOLDSCHMIDT	12 JUL 2012	
APVD	DAOLIVEIRA	12 JUL 2012	
PRODUCT SPEC	-	-	
APPLICATION SPEC	-	-	NAME
WEIGHT	-	-	- <b>TERMINAL FASTIN-FASTON.250 RECEPT</b> -
MATERIAL	SEE TABLE	FINISH	SEE TABLE
SIZE	A3	CAGE CODE	00779
DRAWING NO	C-626094		RESTRICTED TO
Customer Drawing			SCALE - SHEET 1 OF 1 REV J3



PERSPECTIVE VIEW  
SCALE 2:1



SECTION X-X  
SCALE 5:1

PARA LINGUETA  
DE 0,8mm ESPESSURA

单击下面可查看定价，库存，交付和生命周期等信息

[>>TE Connectivity\(泰科\)](#)