

THIS DRAWING IS UNPUBLISHED.

RELEASED FOR PUBLICATION

20

© COPYRIGHT 20 BY -

ALL RIGHTS RESERVED.

REVISIONS

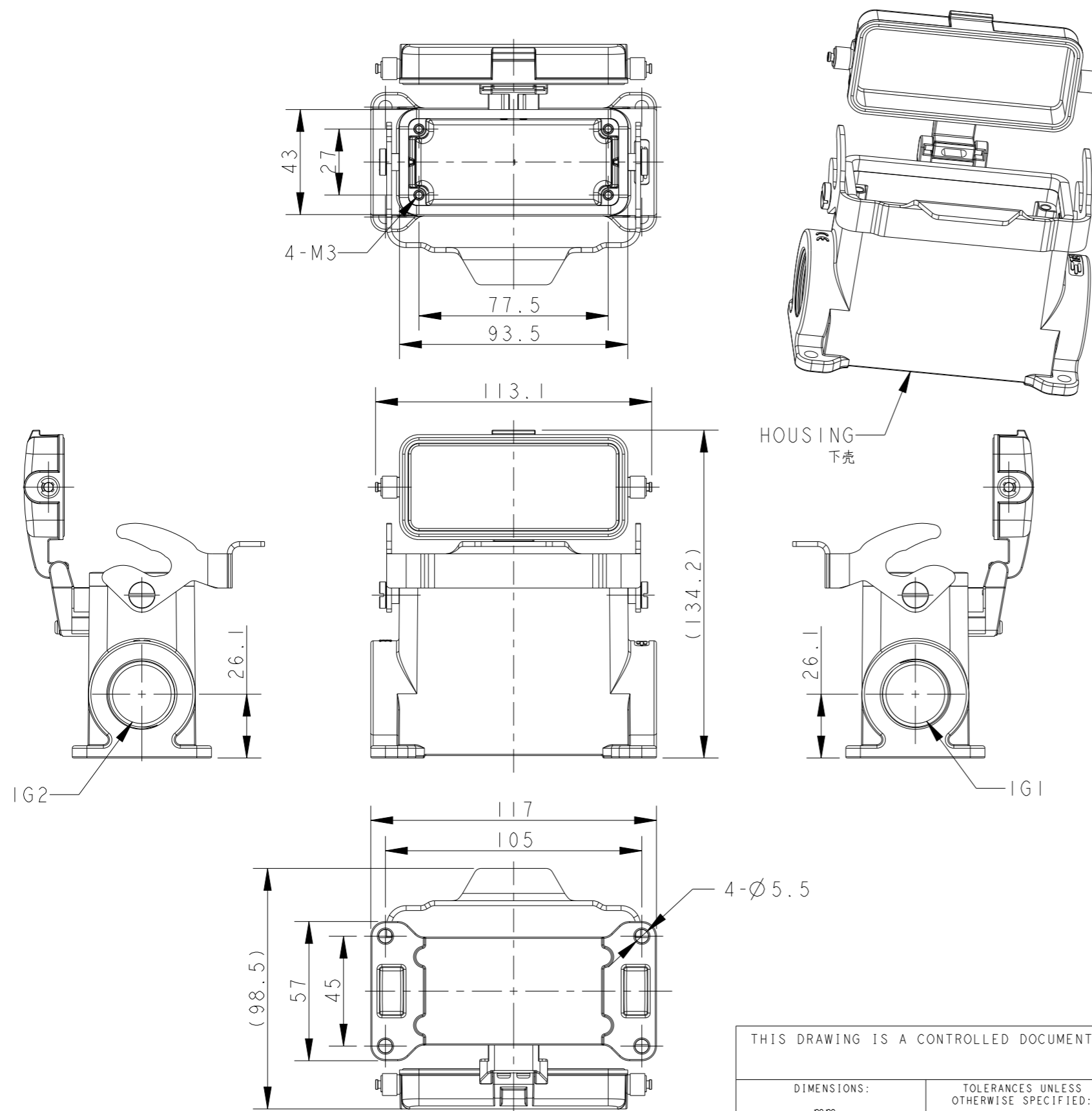
P	LTR	DESCRIPTION	DATE	DWN	APVD
	A	INITIAL RELEASE	23JUN2015	DL	CW
	A1	ECR-17-001721	14FEB2017	YC	CW
	B	ECR-20-008190	10OCT2020	WQR	CW

NOTES:

- 1. TECHNICAL CHARACTERISTICS:  
HOUSING MATERIAL: DIE CAST ALUMINIUM ALLOY  
SURFACE TREATMENT: POWDER COATED, GREY  
DEGREE OF PROTECTION: IP65 (MATED)

注释:

- 1. 技术参数:  
下壳材料: 铝合金  
表面处理: 粉末喷涂, 灰色  
防护等级: IP65 (配合)



TYPE 1: TI660163XXX-100 HI6B-SDRHM-LB-PG/M  
 类型 1: TI660163XXX-100 HI6BT壳, 表面安装, 彩锌单扣, PG/M, 高结构, 带金属保护盖, 灰色粉末喷涂

THIS DRAWING IS A CONTROLLED DOCUMENT.		DWN	23JUN2015	<b>STE</b> TE Connectivity	NAME HI6B-SDRHM-LB-PG/M												
DIMENSIONS: mm		DAVID LI	23JUN2015														
TOLERANCES UNLESS OTHERWISE SPECIFIED:		CHK	CHRIS WANG														
<table border="0"> <tr><td>0 PLC</td><td>±-</td></tr> <tr><td>1 PLC</td><td>±-</td></tr> <tr><td>2 PLC</td><td>±-</td></tr> <tr><td>3 PLC</td><td>±-</td></tr> <tr><td>4 PLC</td><td>±-</td></tr> <tr><td>ANGLES</td><td>±-</td></tr> <tr><td>FINISH</td><td>±-</td></tr> </table>		0 PLC	±-			1 PLC	±-	2 PLC	±-	3 PLC	±-	4 PLC	±-	ANGLES	±-	FINISH	±-
0 PLC	±-																
1 PLC	±-																
2 PLC	±-																
3 PLC	±-																
4 PLC	±-																
ANGLES	±-																
FINISH	±-																
MATERIAL		PRODUCT SPEC 108-137013		SIZE	A3												
		APPLICATION SPEC 114-137013		CAGE CODE	-												
		WEIGHT		DRAWING NO	©-TI66016XXXXX00												
		Customer Drawing		RESTRICTED TO	-												
		SCALE		1:2													
		SHEET		1 OF 3													
		REV		B													

THIS DRAWING IS UNPUBLISHED.

RELEASED FOR PUBLICATION

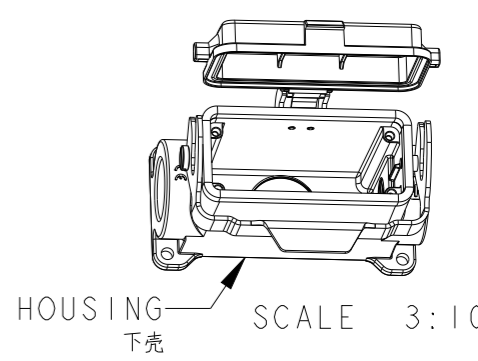
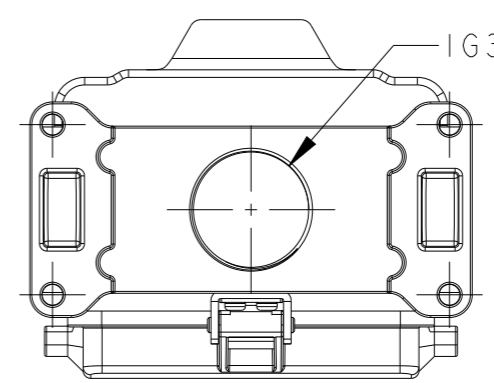
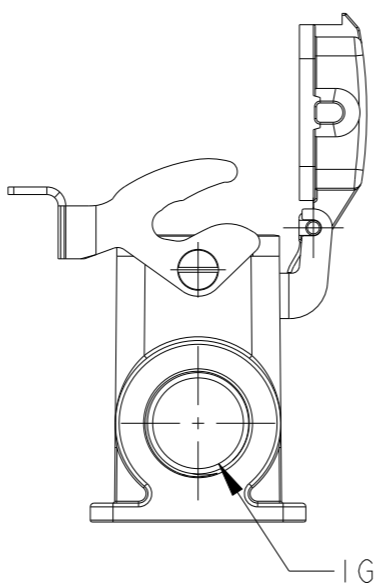
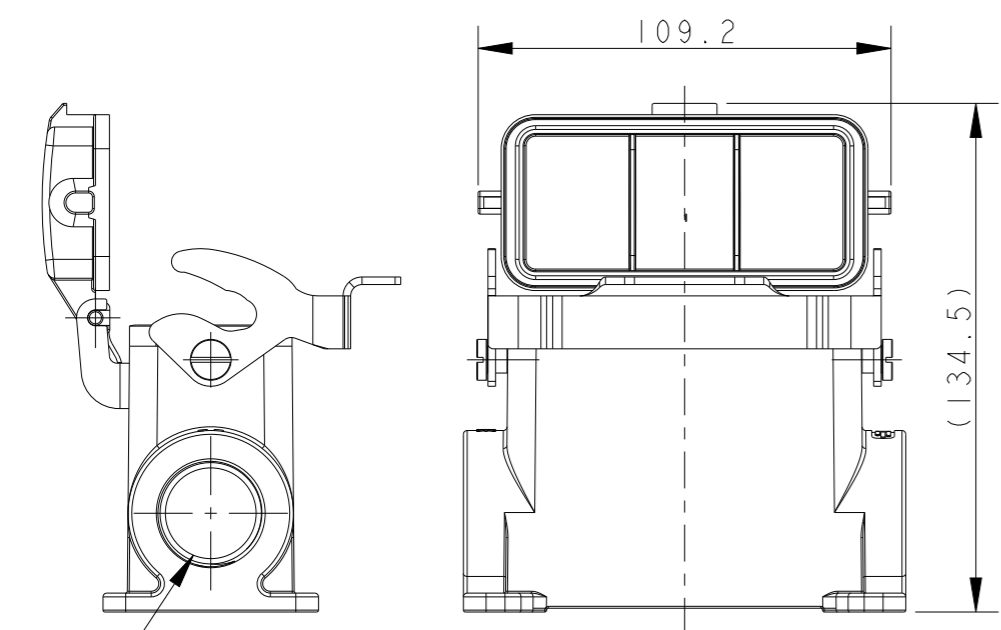
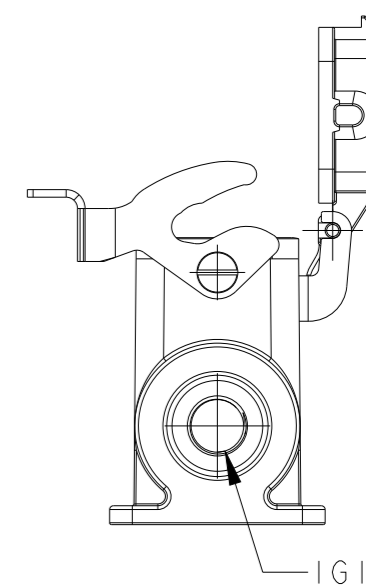
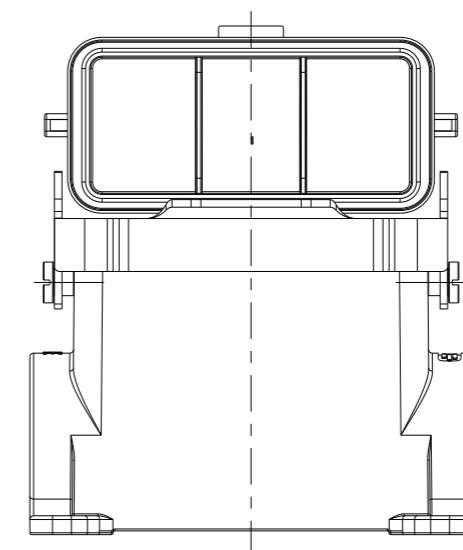
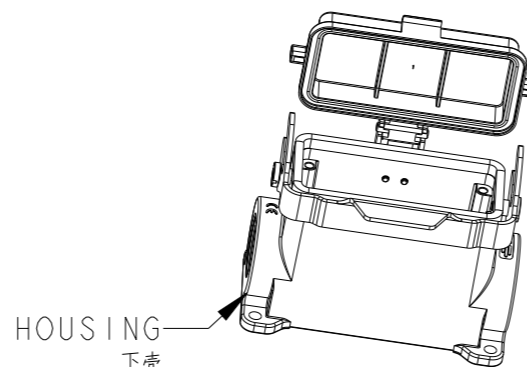
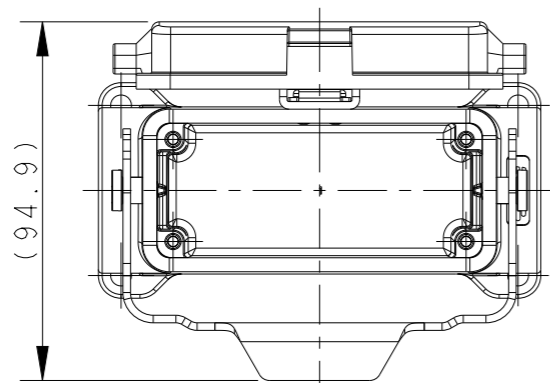
20

© COPYRIGHT 20 BY -

ALL RIGHTS RESERVED.

REVISIONS

P	LTR	DESCRIPTION	DATE	DWN	APVD
-	-	SEE SHEET 1	-	-	-



TYPE 2: T1660163XXX-000 HI6B-SDRH-LB-PG/M  
 OTHER SPEC REFER TO TYPE 1  
 类型 2: T1660163XXX-000HI6B下壳, 表面安装, 彩锌单扣, PG/M,  
 高结构, 带塑料保护盖, 灰色粉末喷涂, 其余规范参照类型 1

TYPE 3: T1660160932-000 HI6B-SDRH-LB-M32/PG9  
 OTHER SPEC REFER TO TYPE 2  
 类型 3: T1660160932-000 HI6B下壳, 表面安装, 彩锌单扣, 侧出PG9,  
 底出M32, 高结构, 带塑料保护盖, 灰色粉末喷涂, 其余规范参照类型 2

THIS DRAWING IS A CONTROLLED DOCUMENT.

DIMENSIONS:	TOLERANCES UNLESS OTHERWISE SPECIFIED:
mm	
	0 PLC ±-
	1 PLC ±-
	2 PLC ±-
	3 PLC ±-
	4 PLC ±-
	ANGLES ±-
MATERIAL	FINISH
-	-
-	-

DWN	23JUN2015
DAVID LI	
CHK	23JUN2015
CHRIS WANG	
APVD	23JUN2015
XIANG XU	
PRODUCT SPEC	108-137013
APPLICATION SPEC	114-137013
WEIGHT	-
Customer Drawing	

TE Connectivity		NAME		RESTRICTED TO
		HI6B-SDRHM-LB-PG/M		
SIZE	CAGE CODE	DRAWING NO		
A3	-	©-T166016XXXXX00		
SCALE		SHEET	OF	REV
1:2		2	3	B

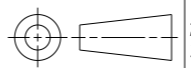
THIS DRAWING IS UNPUBLISHED. RELEASED FOR PUBLICATION 20  
 © COPYRIGHT 20 BY - ALL RIGHTS RESERVED.

REVISIONS					
P	LTR	DESCRIPTION	DATE	DWN	APVD
	-	SEE SHEET 1	-	-	-

NOTES:  
 SEE SHEET 1  
 注释:  
 参照 SHEET 1

PART NUMBER 料号	PART DESCRIPTION 描述	IG1	IG2	IG3	TYPE 类型
TI660163121-100	H16B HOUSING, SURFACE MOUNTED, METAL SINGLE LOCKING, PG21, HIGH CONSTRUCTION, METAL PROTECTION COVER, POWDER COATED, GREY H16B下壳, 表面安装, 彩锌单扣, PG21, 高结构, 带金属保护盖, 灰色粉末喷涂	PG21	-	-	TYPE 1 类型1
TI660163129-100	H16B HOUSING, SURFACE MOUNTED, METAL SINGLE LOCKING, PG29, HIGH CONSTRUCTION, METAL PROTECTION COVER, POWDER COATED, GREY H16B下壳, 表面安装, 彩锌单扣, PG29, 高结构, 带金属保护盖, 灰色粉末喷涂	PG29	-	-	
TI660163132-100	H16B HOUSING, SURFACE MOUNTED, METAL SINGLE LOCKING, M32, HIGH CONSTRUCTION, METAL PROTECTION COVER, POWDER COATED, GREY H16B下壳, 表面安装, 彩锌单扣, M32, 高结构, 带金属保护盖, 灰色粉末喷涂	M32	-	-	
TI660163221-100	H16B HOUSING, SURFACE MOUNTED, METAL SINGLE LOCKING, 2PG21, HIGH CONSTRUCTION, METAL PROTECTION COVER, POWDER COATED, GREY H16B下壳, 表面安装, 彩锌单扣, 2PG21, 高结构, 带金属保护盖, 灰色粉末喷涂	PG21	PG21	-	
TI660163229-100	H16B HOUSING, SURFACE MOUNTED, METAL SINGLE LOCKING, 2PG29, HIGH CONSTRUCTION, METAL PROTECTION COVER, POWDER COATED, GREY H16B下壳, 表面安装, 彩锌单扣, 2PG29, 高结构, 带金属保护盖, 灰色粉末喷涂	PG29	PG29	-	
TI660163232-100	H16B HOUSING, SURFACE MOUNTED, METAL SINGLE LOCKING, 2M32, HIGH CONSTRUCTION, METAL PROTECTION COVER, POWDER COATED, GREY H16B下壳, 表面安装, 彩锌单扣, 2M32, 高结构, 带金属保护盖, 灰色粉末喷涂	M32	M32	-	TYPE 2 类型2
TI660163121-000	H16B HOUSING, SURFACE MOUNTED, METAL SINGLE LOCKING, PG21, HIGH CONSTRUCTION, PLASTIC PROTECTION COVER, POWDER COATED, GREY H16B下壳, 表面安装, 彩锌单扣, PG21, 高结构, 带塑料保护盖, 灰色粉末喷涂	PG21	-	-	
TI660163129-000	H16B HOUSING, SURFACE MOUNTED, METAL SINGLE LOCKING, PG29, HIGH CONSTRUCTION, PLASTIC PROTECTION COVER, POWDER COATED, GREY H16B下壳, 表面安装, 彩锌单扣, PG29, 高结构, 带塑料保护盖, 灰色粉末喷涂	PG29	-	-	
TI660163125-000	H16B HOUSING, SURFACE MOUNTED, METAL SINGLE LOCKING, M25, HIGH CONSTRUCTION, PLASTIC PROTECTION COVER, POWDER COATED, GREY H16B下壳, 表面安装, 彩锌单扣, M25, 高结构, 带塑料保护盖, 灰色粉末喷涂	M25	-	-	
TI660163132-000	H16B HOUSING, SURFACE MOUNTED, METAL SINGLE LOCKING, M32, HIGH CONSTRUCTION, PLASTIC PROTECTION COVER, POWDER COATED, GREY H16B下壳, 表面安装, 彩锌单扣, M32, 高结构, 带塑料保护盖, 灰色粉末喷涂	M32	-	-	
TI660163221-000	H16B HOUSING, SURFACE MOUNTED, METAL SINGLE LOCKING, 2PG21, HIGH CONSTRUCTION, PLASTIC PROTECTION COVER, POWDER COATED, GREY H16B下壳, 表面安装, 彩锌单扣, 2PG21, 高结构, 带塑料保护盖, 灰色粉末喷涂	PG21	PG21	-	
TI660163229-000	H16B HOUSING, SURFACE MOUNTED, METAL SINGLE LOCKING, 2PG29, HIGH CONSTRUCTION, PLASTIC PROTECTION COVER, POWDER COATED, GREY H16B下壳, 表面安装, 彩锌单扣, 2PG29, 高结构, 带塑料保护盖, 灰色粉末喷涂	PG29	PG29	-	
TI660163232-000	H16B HOUSING, SURFACE MOUNTED, METAL SINGLE LOCKING, 2M32, HIGH CONSTRUCTION, PLASTIC PROTECTION COVER, POWDER COATED, GREY H16B下壳, 表面安装, 彩锌单扣, 2M32, 高结构, 带塑料保护盖, 灰色粉末喷涂	M32	M32	-	
TI660160932-000	H16B HOUSING, SURFACE MOUNTED, METAL SINGLE LOCKING, SIDE ENTRY PG9, BOTTOM ENTRY M32, HIGH CONSTRUCTION, PLASTIC PROTECTION COVER, POWDER COATED, GREY / H16B下壳, 表面安装, 彩锌单扣, 侧出PG9, 底出M32, 高结构, 带塑料保护盖, 灰色粉末喷涂	PG9	-	M32	

THIS DRAWING IS A CONTROLLED DOCUMENT.

DIMENSIONS: mm	TOLERANCES UNLESS OTHERWISE SPECIFIED:
	0 PLC ±-
	1 PLC ±-
	2 PLC ±-
	3 PLC ±-
	4 PLC ±-
	ANGLES ±-
MATERIAL	FINISH
-	-
-	-

DWN	23JUN2015
DAVID LI	
CHK	23JUN2015
CHRIS WANG	
APVD	23JUN2015
XIANG XU	
PRODUCT SPEC	108-137013
APPLICATION SPEC	114-137013
WEIGHT	-
CUSTOMER DRAWING	

**STE** TE Connectivity

NAME: H16B-SDRHM-LB-PG/M

SIZE	CAGE CODE	DRAWING NO	RESTRICTED TO
A3	-	©-TI66016XXXXX00	-

SCALE: 1:2 SHEET 3 OF 3 REV B

单击下面可查看定价，库存，交付和生命周期等信息

[>>TE Connectivity\(泰科\)](#)