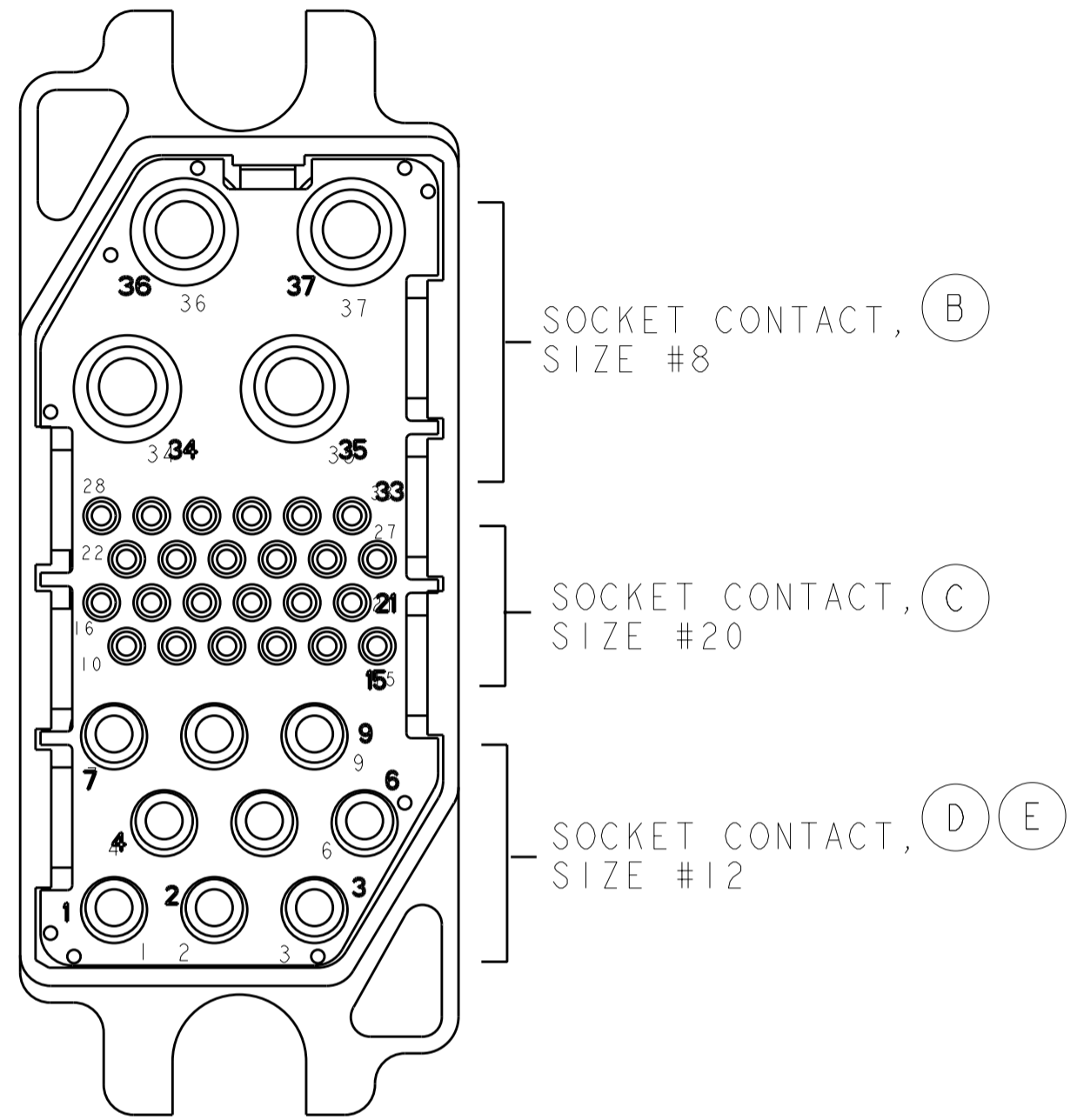
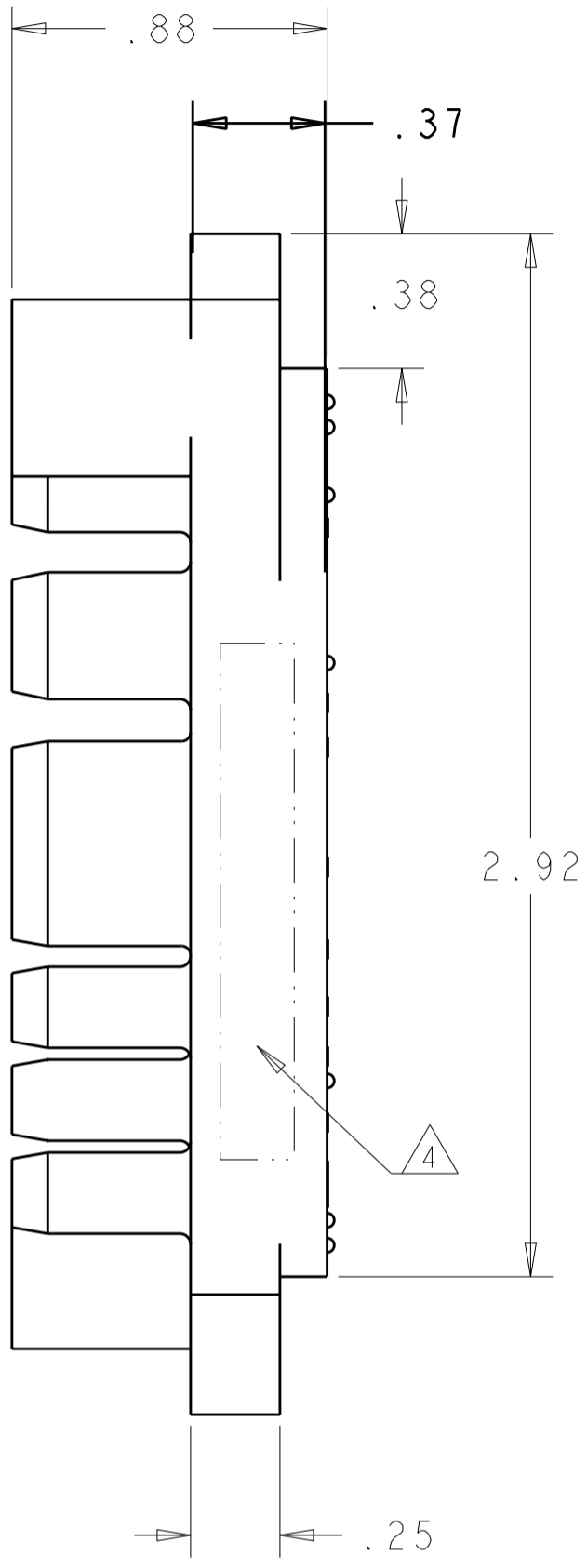
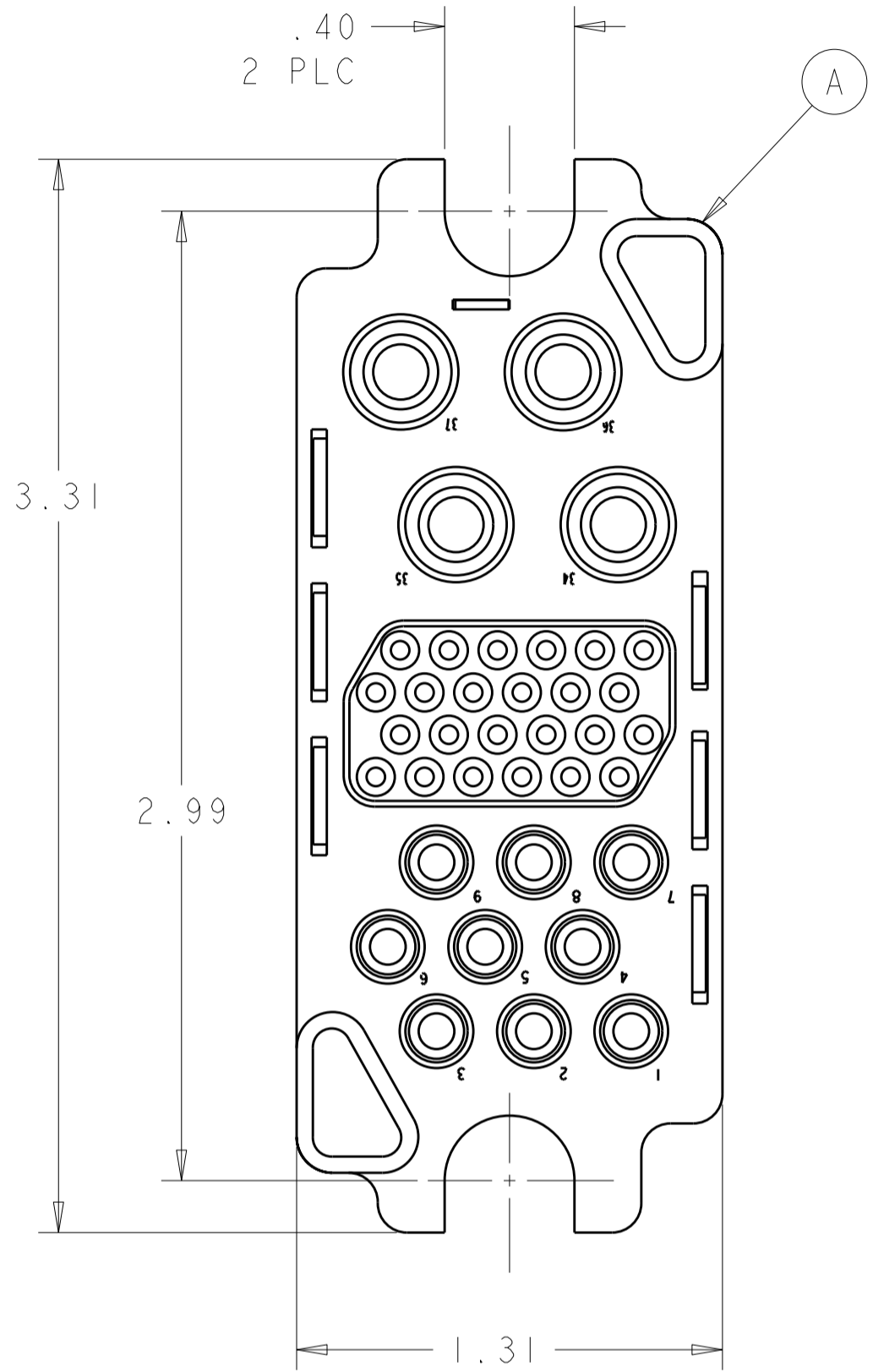


THIS DRAWING IS UNPUBLISHED. RELEASED FOR PUBLICATION 20
 © COPYRIGHT 20 BY TYCO ELECTRONICS CORPORATION. ALL RIGHTS RESERVED.

LOC	DIST	REVISIONS					
GP	00	P	LTR	DESCRIPTION	DATE	DWN	APVD
		A		RELEASED	05APR06	RG	MP
		B		REV PER ECO-08-024926	09OCT2008	CR	DO



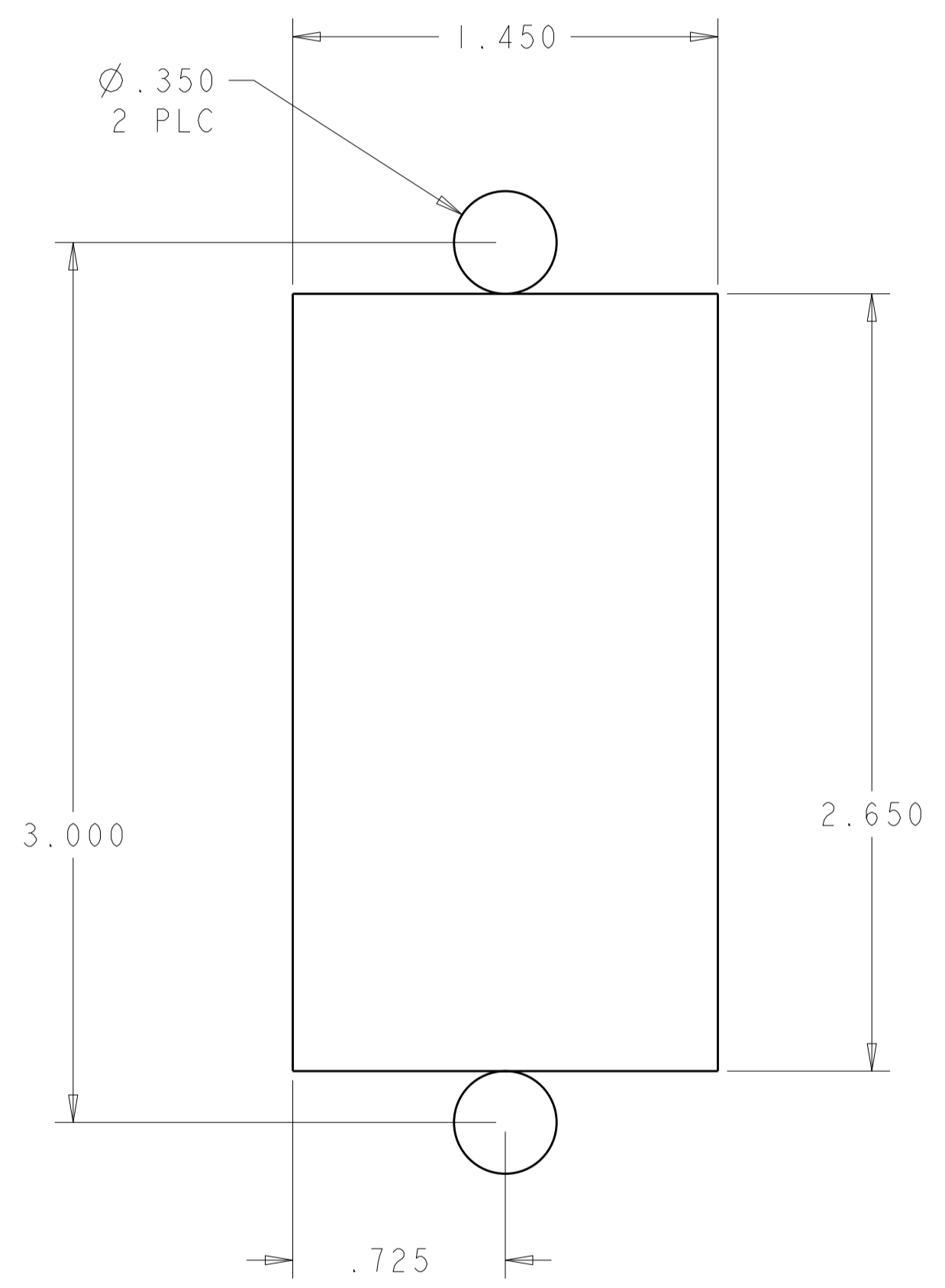
△5	F	2	1650402-1	SCREW, #8-32 THD.
△5	E	8	6648318-1	CONTACT, SOCKET, SIZE #12, CRIMP
△5	D	1	1648384-1	CONTACT, SOCKET, SIZE #12, CRIMP, HOT PLUG
△5	C	24	1648325-1	CONTACT, SOCKET, SIZE #20, CRIMP
△5	B	4	6648317-1	CONTACT, SOCKET, SIZE #8, CRIMP
	A	1	1648168-2	HOUSING, SOCKET, FLOAT MOUNT
	ITEM	-1	PART NUMBER	DESCRIPTION

ELCON DRAWER

<small>THIS DRAWING IS A CONTROLLED DOCUMENT FOR TYCO ELECTRONICS CORPORATION. IT IS SUBJECT TO CHANGE AND THE CONTROLLING ENGINEERING ORGANIZATION SHOULD BE CONTACTED FOR THE LATEST REVISION.</small>		DWN R.GRZYBOWSKI 05APR06 CHK S.FLICKINGER 05APR06 APVD S.FLICKINGER 05APR06	tyco Tyco Electronics Harrisburg, PA 17105-3608
DIMENSIONS: INCHES 	TOLERANCES UNLESS OTHERWISE SPECIFIED: 0 PLC ± 1 PLC ± 2 PLC ±.02 3 PLC ±.010 4 PLC ±0.0005 ANGLES ±.5 FINISH	PRODUCT SPEC APPLICATION SPEC WEIGHT	NAME CONNECTOR, SOCKET 75 AMP MIDDLE DRAWER
MATERIAL		CUSTOMER DRAWING	SIZE A2 CAGE CODE 00779 DRAWING NO. C-1926126 RESTRICTED TO
		SCALE 4:1	SHEET 1 OF 2 REV B

THIS DRAWING IS UNPUBLISHED. RELEASED FOR PUBLICATION 20
 © COPYRIGHT 20 BY TYCO ELECTRONICS CORPORATION. ALL RIGHTS RESERVED.

LOC	DIST	REVISIONS					
GP	00	P	LTR	DESCRIPTION	DATE	DWN	APVD
		-		SEE SHEET 1			



SUGGESTED PANEL CUTOUT
 VIEWED FROM CONNECTOR MOUNTING SIDE

- PART NUMBER CHANGES AND OR DESIGN CHANGES AFFECTING THE INTERCHANGEABILITY REQUIRE PRIOR TYCO ELECTRONICS APPROVAL AND AUTHORIZATION BY REVISION TO THIS DRAWING.
- MATERIAL:
 INSULATOR: THERMOPLASTIC, GLASS REINFORCED, FLAMMABILITY RATED, COLOR: BLACK
 CONTACT: COPPER ALLOY
 CROWN BAND: BERYLLIUM COPPER
 RETENTION CLIP: BERYLLIUM COPPER
- FINISH:
 CONTACTS SIZE #8 : SILVER .000200 MIN. THK. OVER NICKEL .000040 MIN THK.
 CONTACTS SIZE #12, HP : GOLD .000010 MIN. THK. OVER NICKEL .000040 MIN THK.
 CONTACTS SIZE #12 : SILVER .000200 MIN. THK. OVER NICKEL .000040 MIN THK.
 CONTACTS SIZE #20 : GOLD .000030 MIN. THK. OVER NICKEL .000040 MIN THK.
 CROWN BAND: GOLD .000030 MIN. THK. OVER NICKEL .000040 MIN THK.

4. ITEMS PROVIDED TO THIS SPECIFICATION TO BE PERMANENTLY IDENTIFIED PER THE FOLLOWING IDENTIFIER:
- YEAR WEEK
- TYCO ELECTRONICS PART NUMBER DATE CODE (e.g. 0216)
- XXXXXXX-X XXXX
5. CRIMP CONTACTS AND SCREWS (ITEMS B THRU F) SHALL BE PACKAGED SEPARATELY AND PLACED IN THE BOX WITH THE CONNECTOR ASSY.

ELCON **DRAWER**

<small>THIS DRAWING IS A CONTROLLED DOCUMENT FOR TYCO ELECTRONICS CORPORATION. IT IS SUBJECT TO CHANGE AND THE CONTROLLING ENGINEERING ORGANIZATION SHOULD BE CONTACTED FOR THE LATEST REVISION.</small>		DWN R.GRZYBOWSKI 05APR06 CHK S.FLICKINGER 05APR06 APVD S.FLICKINGER 05APR06	tyco Tyco Electronics Harrisburg, PA 17105-3608
DIMENSIONS: INCHES	TOLERANCES UNLESS OTHERWISE SPECIFIED: 0 PLC ± 1 PLC ± 2 PLC ±.02 3 PLC ±.010 4 PLC ±0.0005 ANGLES ±.5	PRODUCT SPEC APPLICATION SPEC	NAME CONNECTOR, SOCKET 75 AMP MIDDLE DRAWER
MATERIAL	FINISH	WEIGHT	SIZE CAGE CODE DRAWING NO RESTRICTED TO A200779 C-1926126 -
CUSTOMER DRAWING		SCALE 4:1	SHEET 2 OF 2 REV B

单击下面可查看定价，库存，交付和生命周期等信息

[>>TE Connectivity\(泰科\)](#)