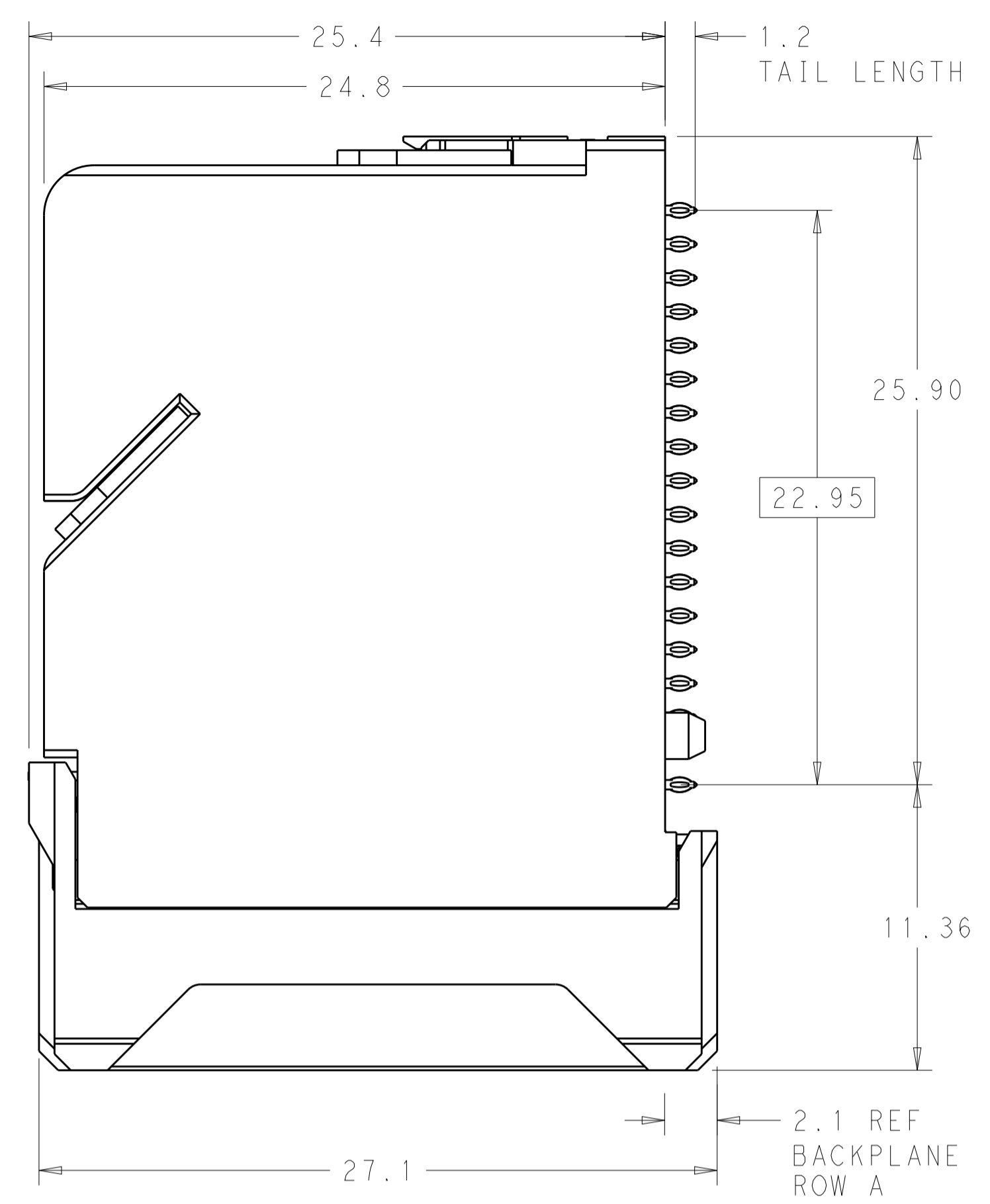
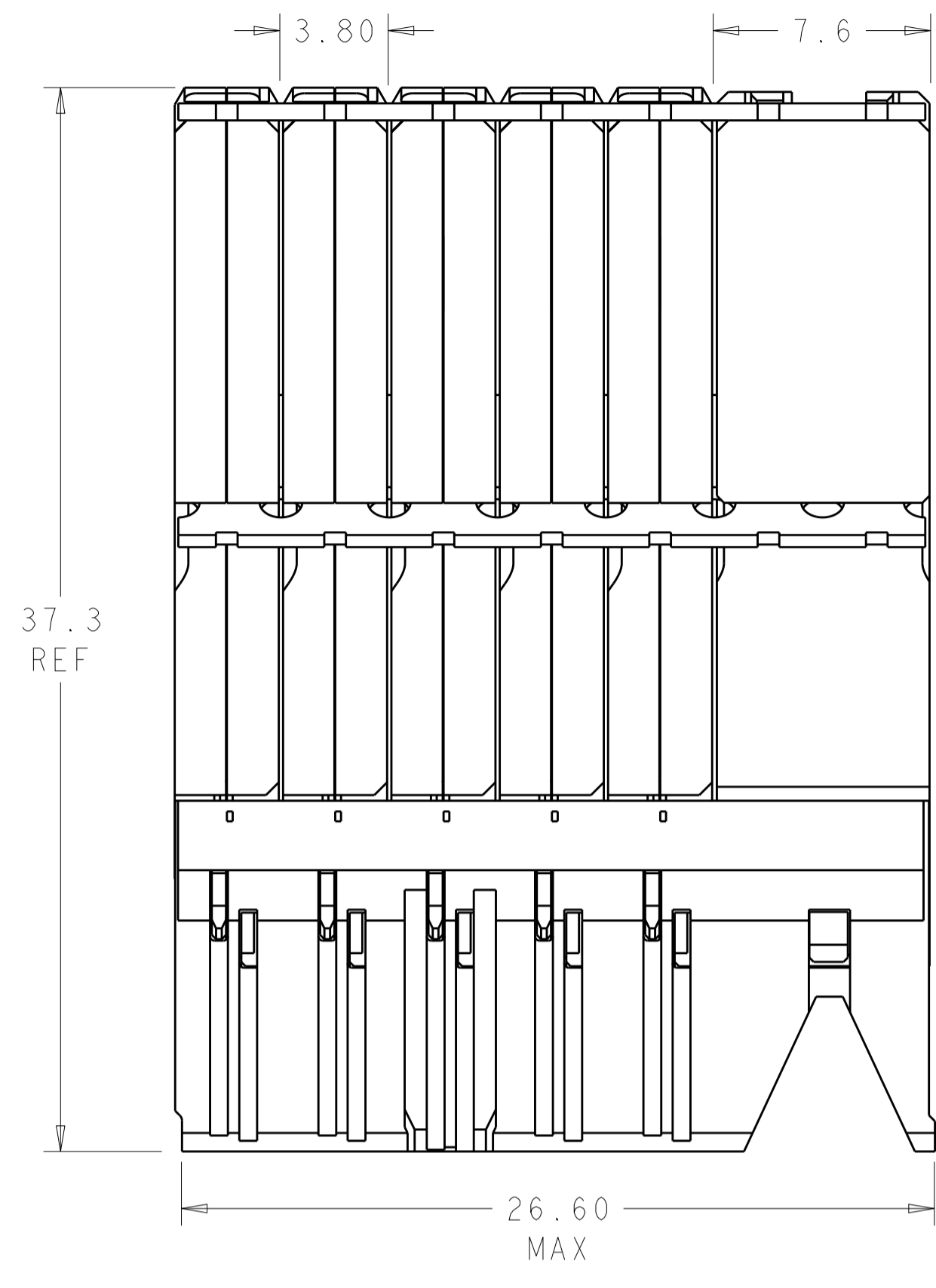
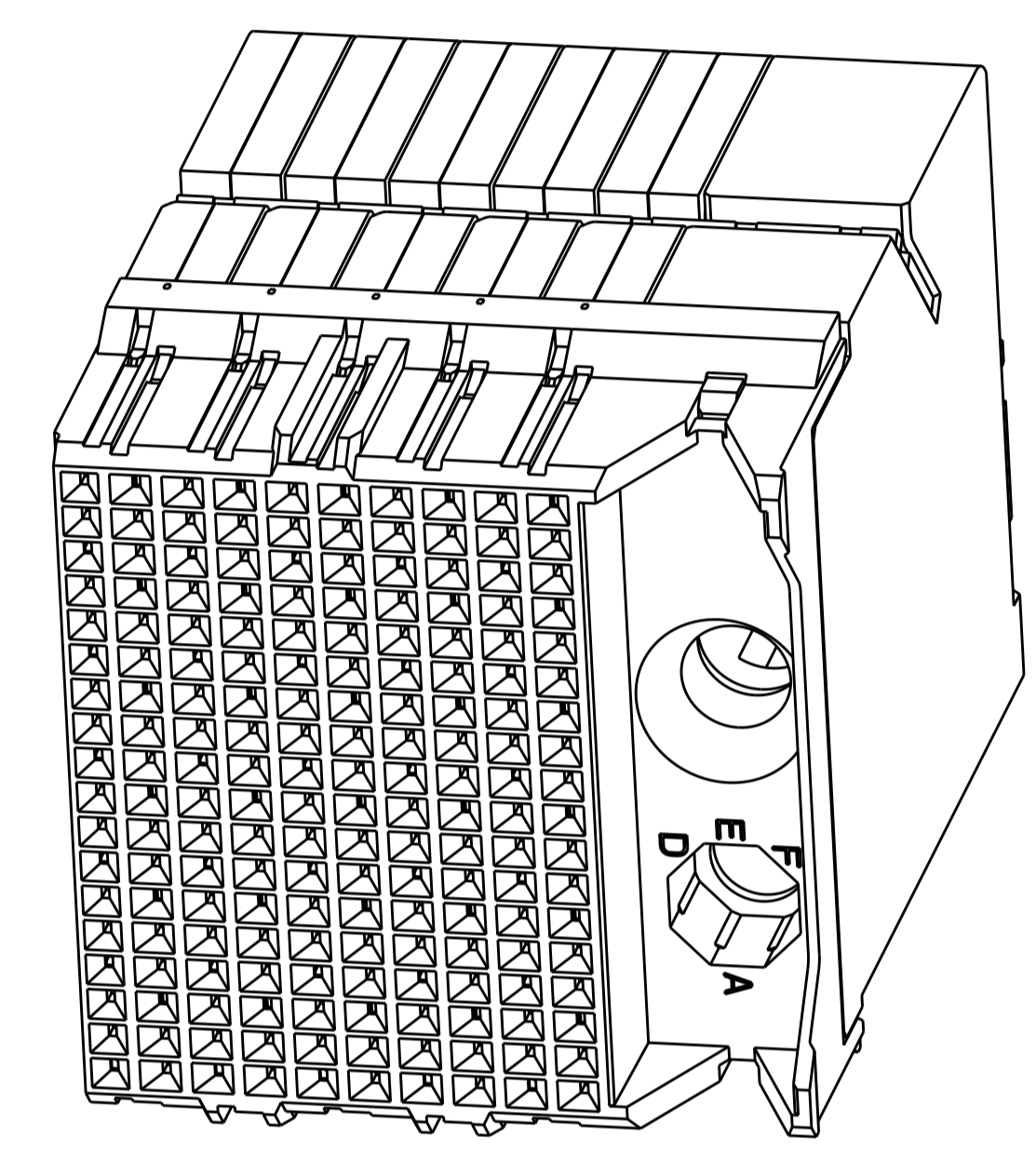


REVISIONS				
P.	LTN	DESCRIPTION	DATE	OWN APVD
E		REVISED PER ECO-15-012351	25SEP2015	AP SY

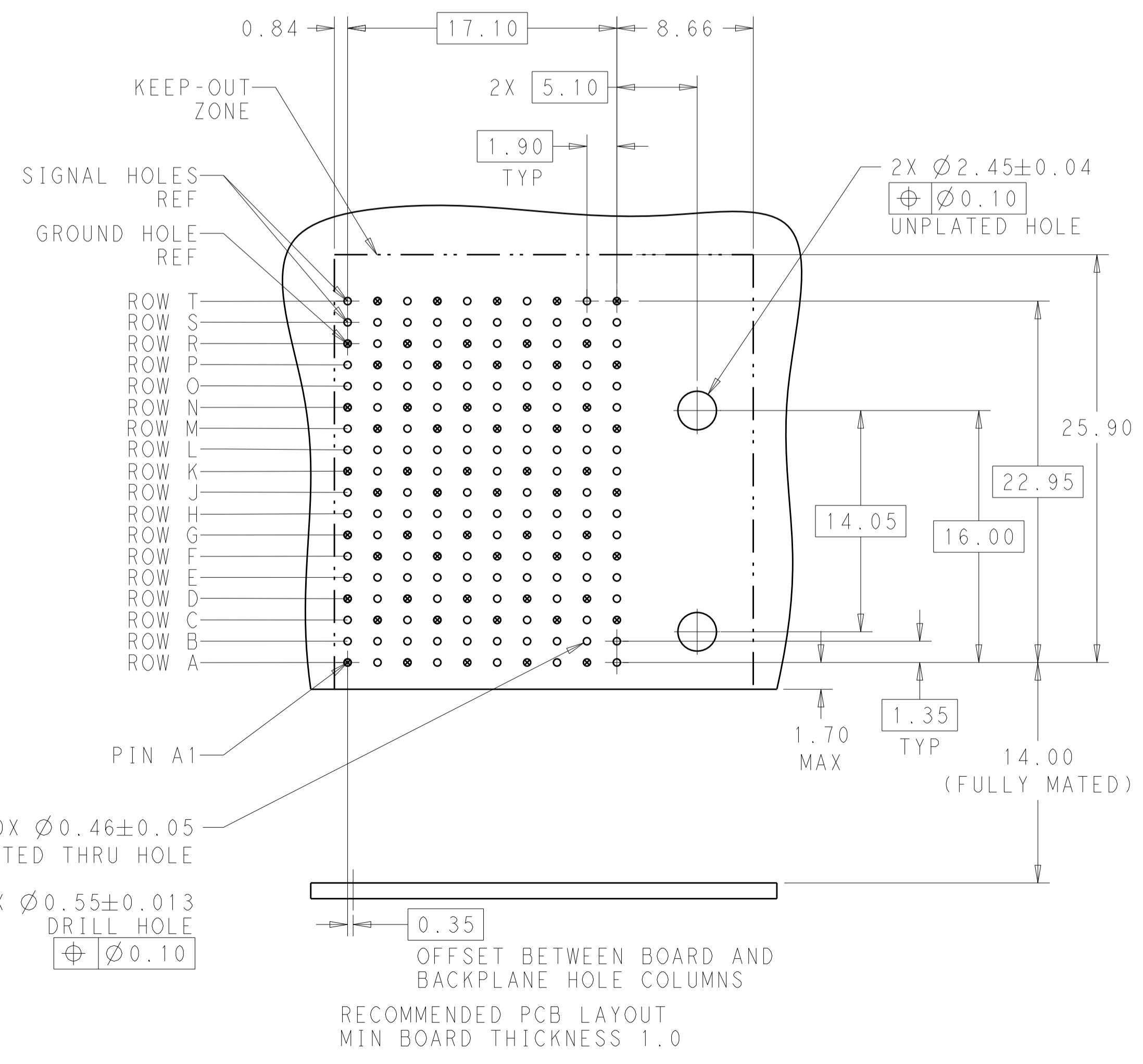
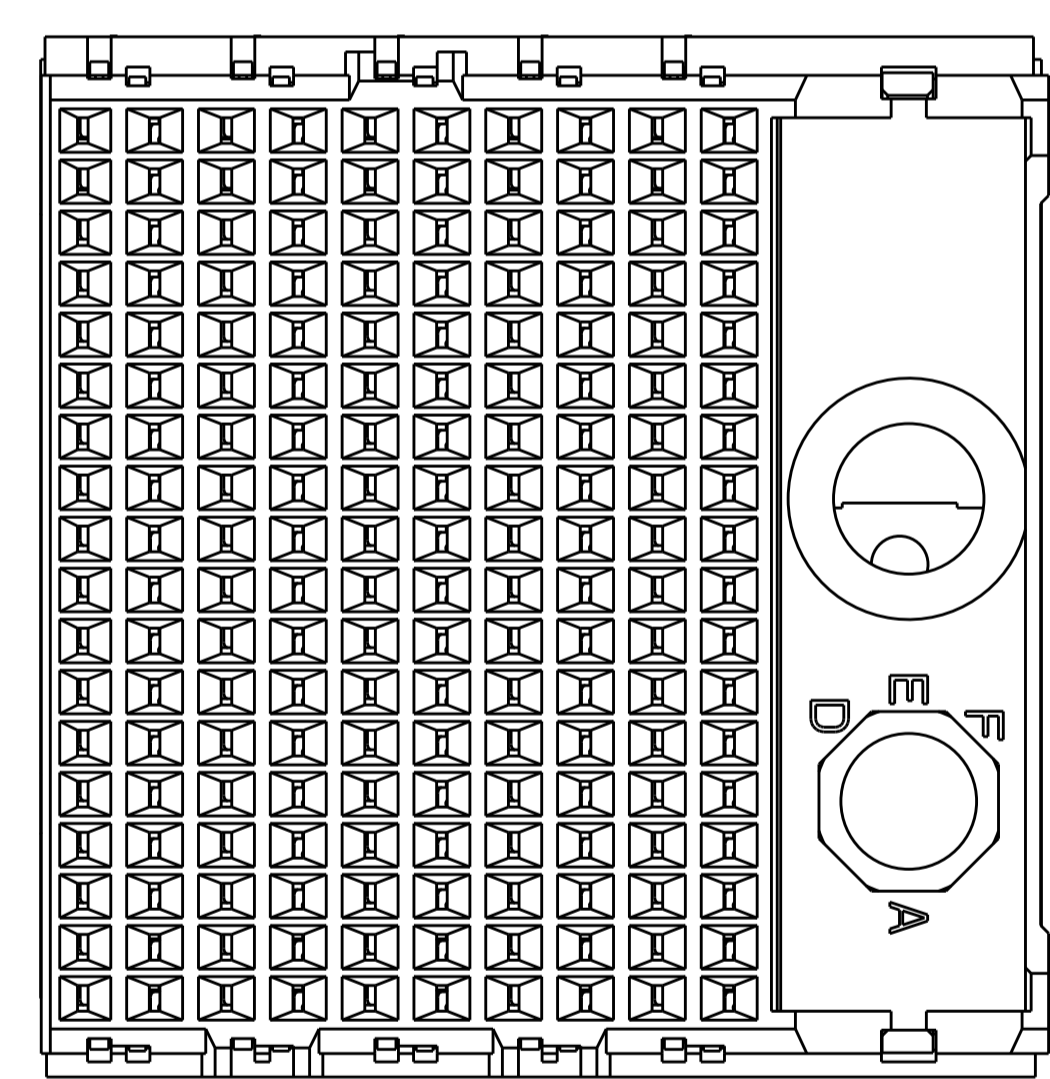


- ⚠ MATERIAL:
HOUSING: LCP, GLASS FILLED, UL94V-0.
TERMINALS: HIGH PERFORMANCE COPPER ALLOY.
- ⚠ FINISH:
30µ" SELECTIVE GOLD IN CONTACT AREA. SELECTIVE TIN ON PCB TAILS, NICKEL OVERALL.
- 3. CONNECTORS SUPPLIED WITH MOUNTING SCREWS.



SCALE 4:1

REFER TO WWW.TE.COM FOR PRODUCT AVAILABILITY



KEY POSITION CHART	
	NONE
	A
	B
	C
	D
	E
	F
	G
	H

KEY POSITION	FINISH	PART NUMBER
H	⚠	8-2007737-1
G	⚠	7-2007737-1
F	⚠	6-2007737-1
E	⚠	5-2007737-1
D	⚠	4-2007737-1
C	⚠	3-2007737-1
B	⚠	2-2007737-1
A	⚠	1-2007737-1
NONE	⚠	2007737-1

THIS DRAWING IS A CONTROLLED DOCUMENT. DWN J.K. SHOBER 04MAR2011
 CHK D. DIXON 04MAR2011
 APVD D. DIXON 04MAR2011

TE Connectivity

IMPACT, 6 PAIR, DAUGHTERCARD 10 COLUMN, RIGHT GUIDED, SIGNAL MODULE, 0.46 EYELET

SIZE CAGE CODE DRAWING NO RESTRICTED TO
 A100779C=2007737

Customer Drawing SCALE 5:1 SHEET 1 OF 1 REV E

单击下面可查看定价，库存，交付和生命周期等信息

[>>TE Connectivity\(泰科\)](#)