

© 2020 TE Connectivity. All Rights Reserved.

REVISIONS

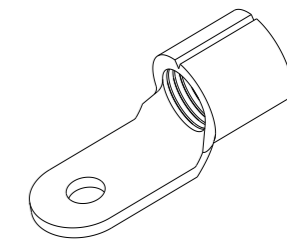
- 1. MAT'L THICKNESS 1.778±0.051 [.070±.002]
- 2. NOTE DELETED.

P	LTR	DESCRIPTION	DATE	DWN	APVD
	A3	REVISED PER ECO-20-004274	07APR2020	SM	DR

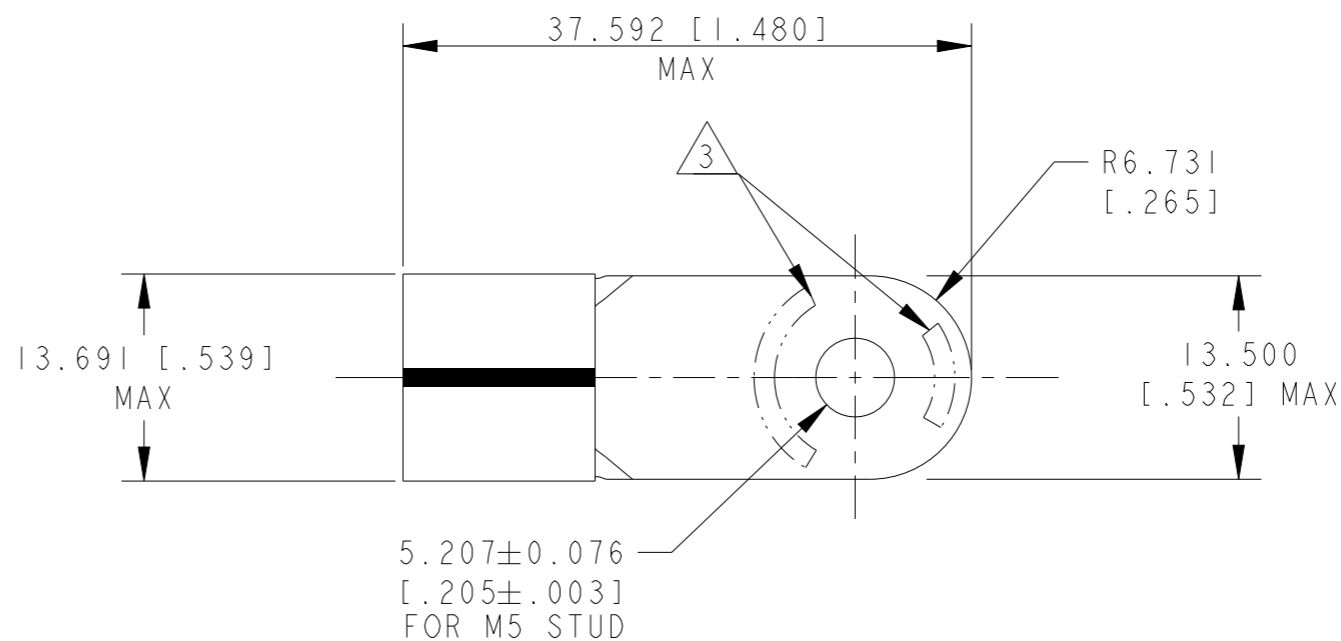
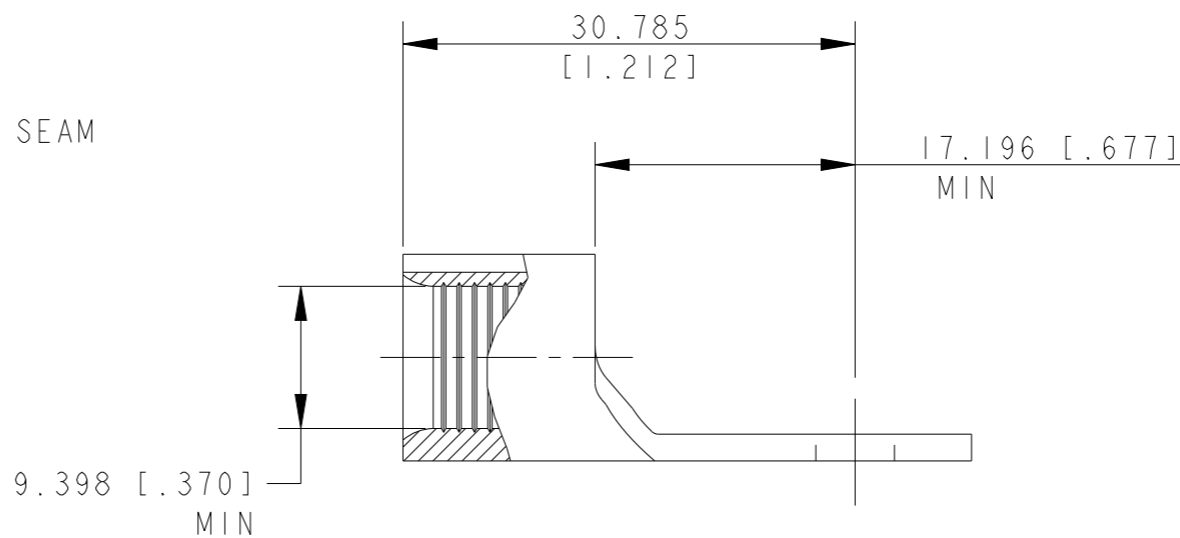
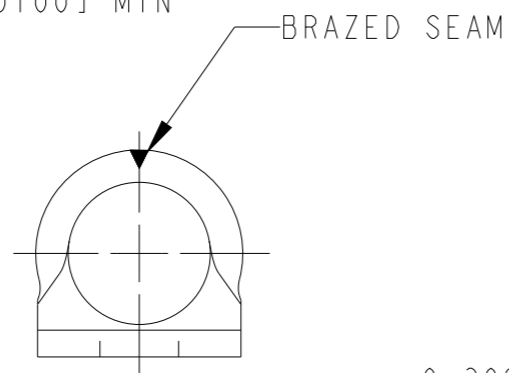
3 STAMP: AMP 2W*60-75 APPROX AS SHOWN

4 MATERIAL: COPPER PER ASTM B152.

5 FINISH: TIN PLATE 0.00254[.000100] MIN EXT THICKNESS PER ASTM B545.



SCALE 1:1



50	LOOSE PIECE	132101-2
QTY	PACKAGE TYPE	PART NUMBER

MAX RECOMMENDED OPERATING TEMPERATURE: 170°C [338°F]
VOLTAGE RATING: N/A
CIRCULAR MIL AREA: 26.7-42.2 mm ² [52,600-83,700] SOLID OR STRANDED

THIS DRAWING IS A CONTROLLED DOCUMENT.	
DIMENSIONS: mm/ INCHES	TOLERANCES UNLESS OTHERWISE SPECIFIED:
	0 PLC ± 1 PLC ±- 2 PLC ± 3 PLC ±0.127[.005] 4 PLC ±- ANGLES ±3
MATERIAL 4	FINISH 5

DWN JJ. DESPRETZ 04JUL2005
CHK G-ROBERT 04JUL2005
APVD Y-PETRONIN 04JUL2005
PRODUCT SPEC -
APPLICATION SPEC -
WEIGHT -
CUSTOMER DRAWING

TE Connectivity		NAME TERMINAL, RING TONGUE, SOLISTRAND WIRE SIZE: 2 AWG,	
		SIZE A3	CAGE CODE -
DRAWING NO C-132101		RESTRICTED TO	
SCALE 2:1	SHEET 1 OF 1	REV A3	

单击下面可查看定价，库存，交付和生命周期等信息

[>>TE Connectivity\(泰科\)](#)