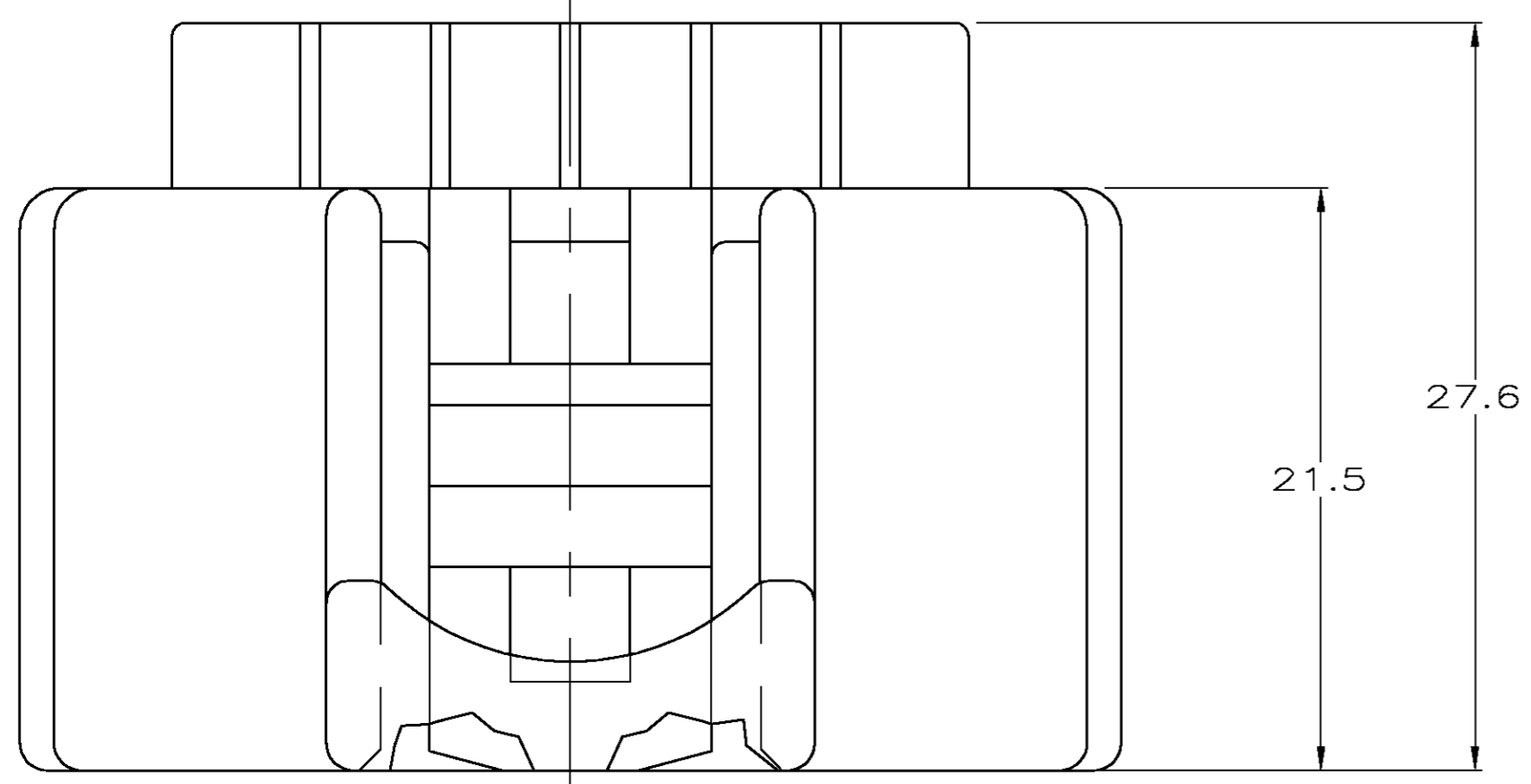


THIS DRAWING IS UNPUBLISHED. RELEASED FOR PUBLICATION
 © COPYRIGHT BY TYCO ELECTRONICS CORPORATION. ALL RIGHTS RESERVED.

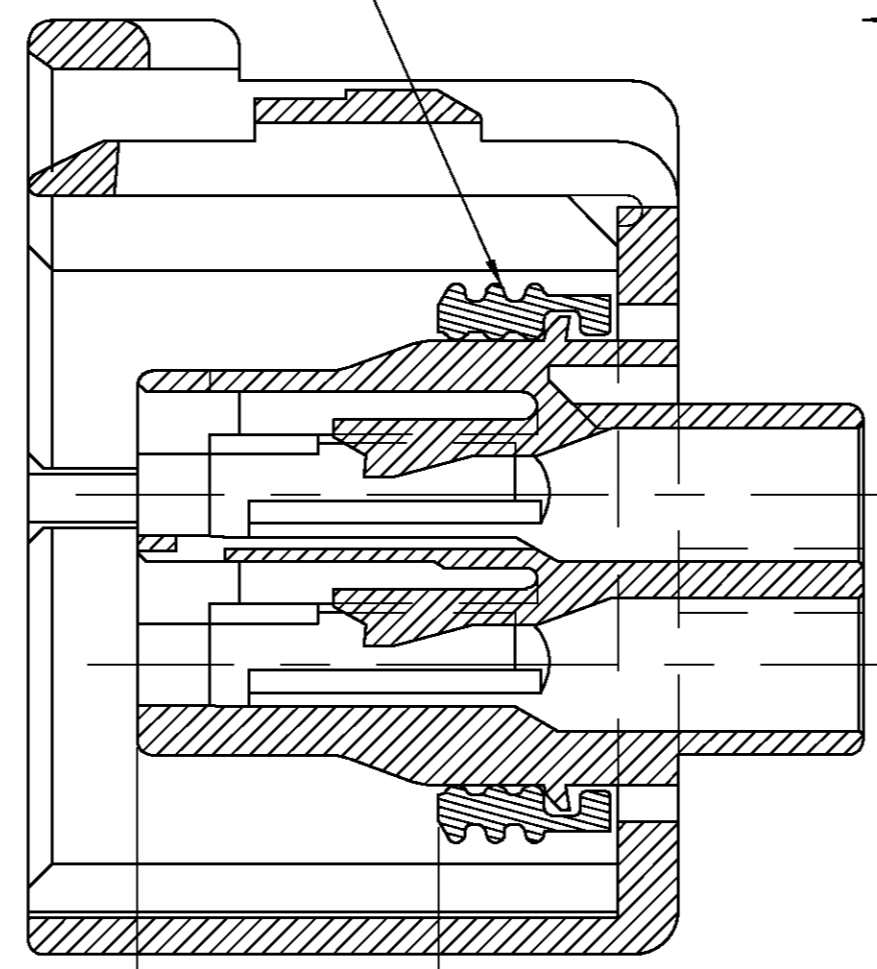
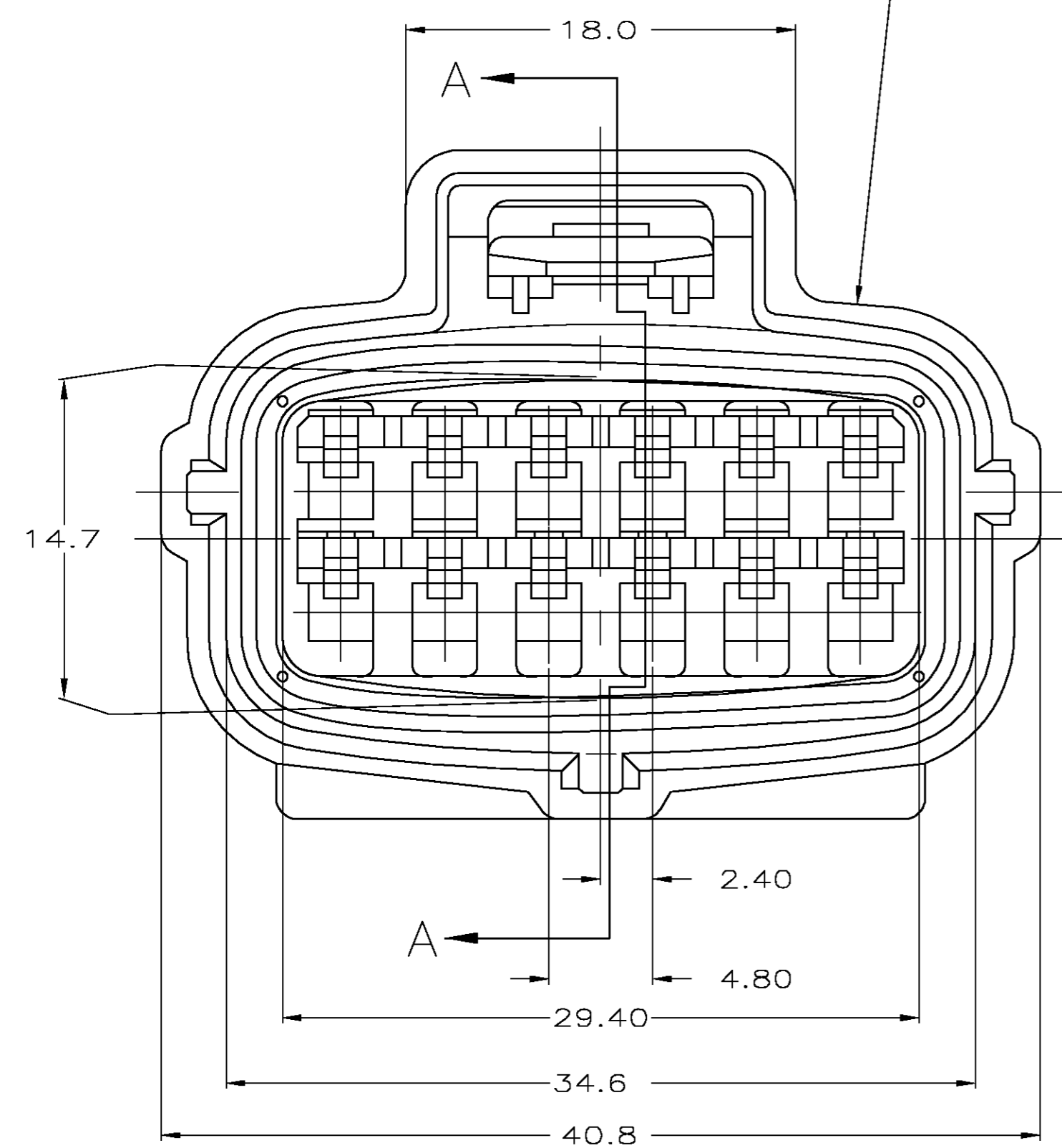
LOC		DIST		REVISIONS			
P	LTR	DESCRIPTION		DATE	DWN	APVD	
G		REV PER EC 0K40-0448-03		25JUN03	AH	KLC	



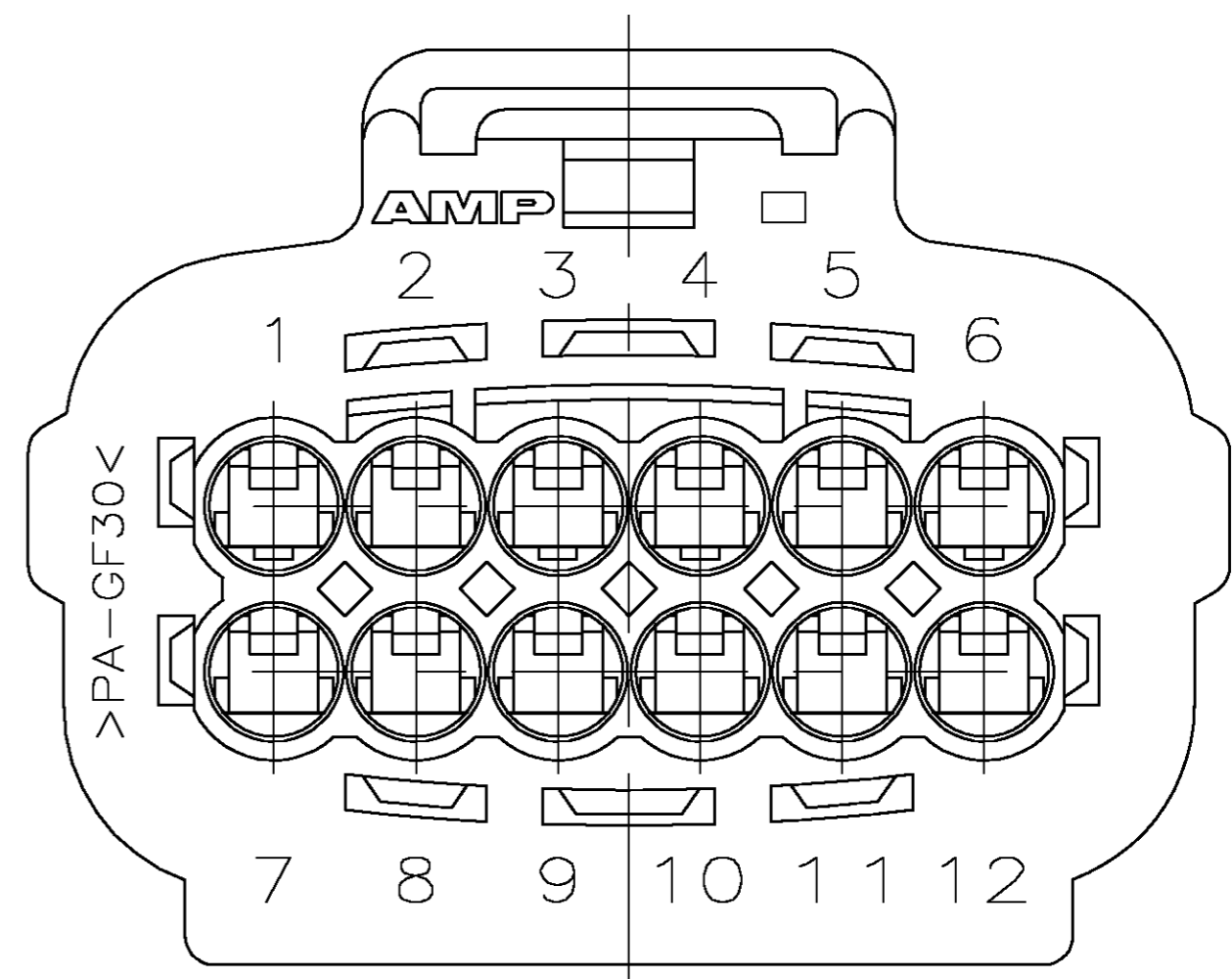
SECONDARY LOCK PLATE, P/N 184058-1, REQUIRED AS A SEPARATE COMPONENT.

12 POSITION PLUG
 MATERIAL: 4/6 NYLON
 30% GLASS FILLED

SEAL RING
 MATERIAL:
 SILICONE RUBBER



SECTION A-A



VIEW B-B

THIS DRAWING IS A CONTROLLED DOCUMENT.

DIMENSIONS:	TOLERANCES UNLESS OTHERWISE SPECIFIED:	DWN	5/15/95
MM	0 PLC ± -	CHK	5/30/95
	1 PLC ± 0.3	APVD	5/30/95
	2 PLC ± 0.15	PRODUCT SPEC	
	3 PLC ± -	APPLICATION SPEC	
	4 PLC ± -		
	ANGLES ± 1°	WEIGHT	-
MATERIAL	FINISH	CUSTOMER DRAWING	

BLACK		184115-1	
PLUG COLOR		PART NUMBER	
tyco Electronics		Tyco Electronics Corporation Harrisburg, PA 17105-3608	
NAME 12 POSITION PLUG ASSY.			
SIZE	CAGE CODE	DRAWING NO	RESTRICTED TO
A2	00779	C=184115	-
SCALE 4:1		SHEET 1 OF 1	REV G

单击下面可查看定价，库存，交付和生命周期等信息

[>>TE Connectivity\(泰科\)](#)