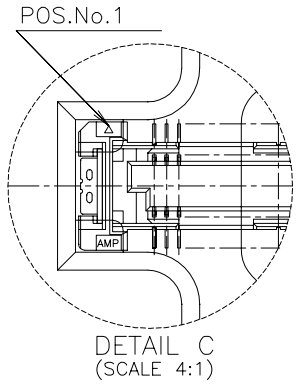
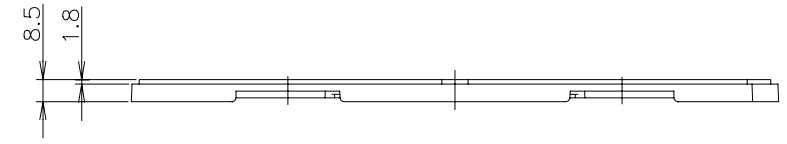
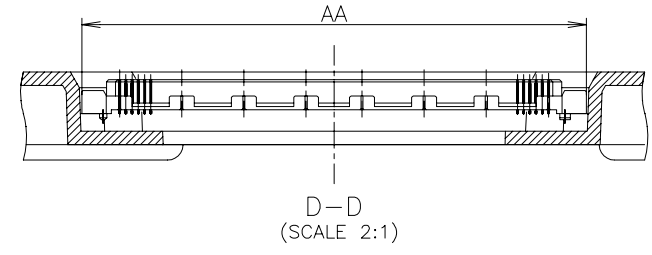
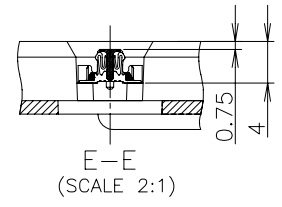
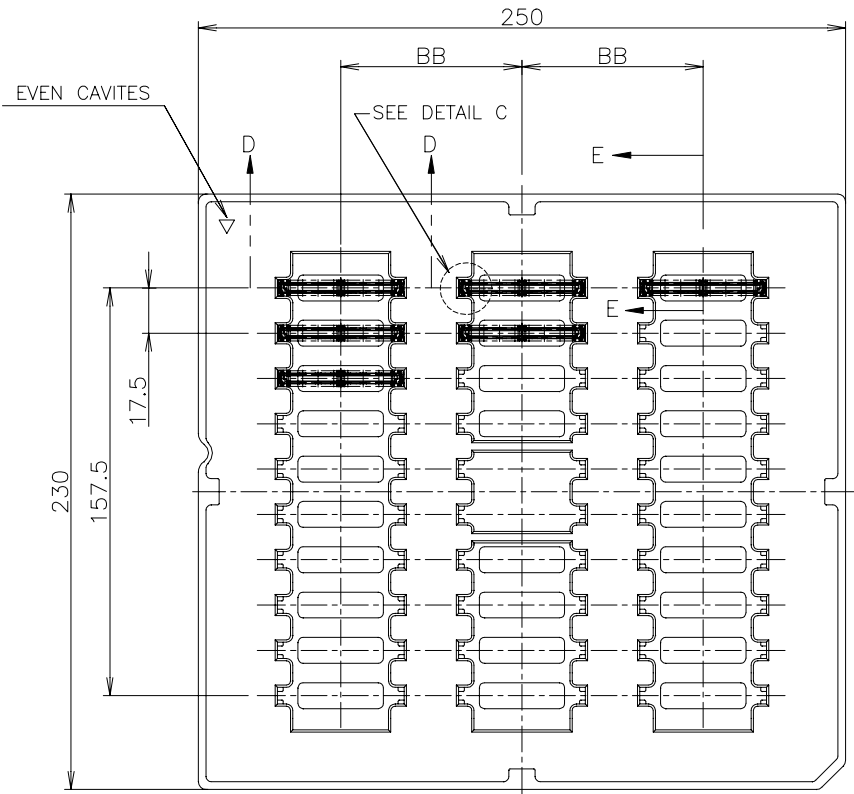


REVISIONS

| P | LTR | DESCRIPTION | DATE | DWN | APVD |
|---|-----|------------------------------------------|-----------|-----|------|
| B | | ECO-20-017853: G-CONTACT TAIL GOLD FLASH | 18DEC2020 | A.L | H.L |



| SEALANT | AVAILABLE | 3 | 30 | 70 | 54.7 | 160 | 1-5316560-1 |
|----------------|---------------|-----|----|----|------|----------|-------------|
| | AVAILABLE | ↑ | ↑ | ↑ | 48.7 | 140 | 1- -0 |
| | NOT AVAILABLE | ↓ | ↓ | ↓ | 42.7 | 120 | -9 |
| | NOT AVAILABLE | ↓ | ↓ | ↓ | 36.7 | 100 | -8 |
| | NOT AVAILABLE | 3 | 30 | 70 | 33.7 | 90 | -7 |
| | AVAILABLE | 5 | 50 | 43 | 30.7 | 80 | -6 |
| | NOT AVAILABLE | ↑ | ↑ | ↑ | 27.7 | 70 | -5 |
| | | | | | 24.7 | 60 | -4 |
| | | | | | 21.7 | 50 | -3 |
| | | | | | 18.7 | 40 | -2 |
| | NOT AVAILABLE | 5 | 50 | 43 | 15.7 | 30 | 5316560-1 |
| TOOLING STATUS | ROW | QTY | BB | AA | POS. | PART NO. | |

THIS DRAWING IS A CONTROLLED DOCUMENT.

DWN LEO ZHOU 17NOV04
 CHK STEVEN YAO 17NOV04
 APVD I. ENOMOTO 17NOV04

NAME: HARD TRAY ASSY
 FH 0.6BTB CONNECTOR
 REC 4H W/G-CONT

PRODUCT SPEC: 108-60047
 APPLICATION SPEC: 114-5255

SIZE: A3 CAGE CODE: 00779 DRAWING NO: 5316560
 WEIGHT: RESTRICTED TO

CUSTOMER DRAWING SCALE: 1:2 SHEET: 1 OF 3 REV: B

GENERAL TOLERANCE
 一般公差

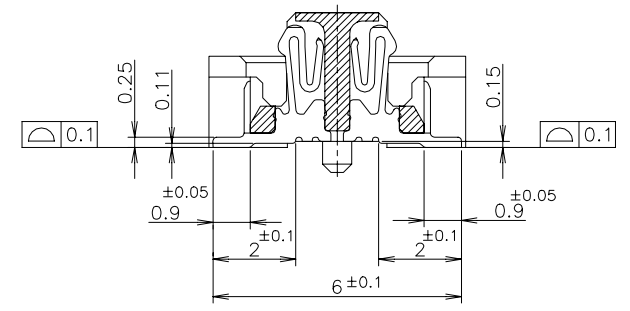
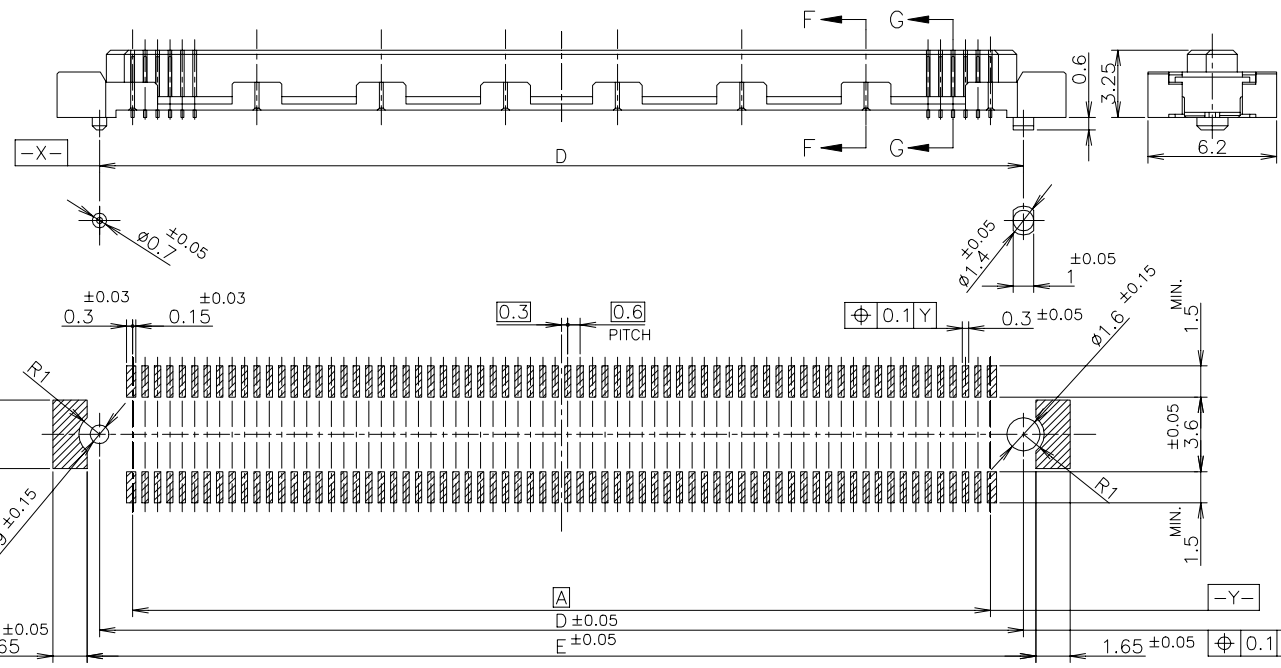
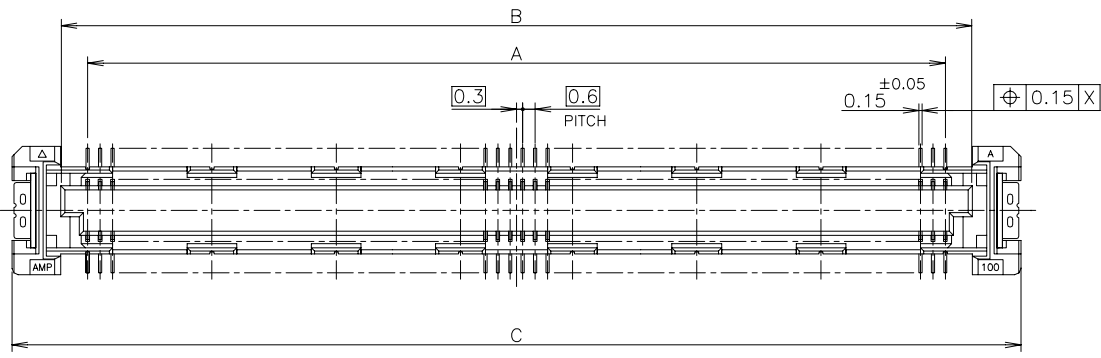
10 ≥: ±0.2
 30 ≥: >10: ±0.25
 100 ≥: >30: ±0.3
 ANGLES: ±3°

DIMENSIONS: 单位: 耗 mm
 TOLERANCES UNLESS OTHERWISE SPECIFIED: 一般公差

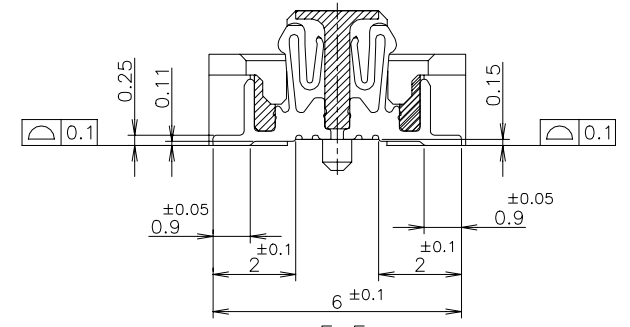
0 PLC ± -
 1 PLC ± -
 2 PLC ± -
 3 PLC ± -
 4 PLC ± -
 ANGLES ± -

MATERIAL 材料
 FINISH 仕上

| REVISIONS | | | | | |
|-----------|-----|-------------|------|-----|------|
| 変更 | | | | | |
| P | LTR | DESCRIPTION | DATE | DWN | APVD |
| - | - | SEE SHEET 1 | - | - | - |



G-G
(SIGNAL POSITION)
(SCALE 8:1)



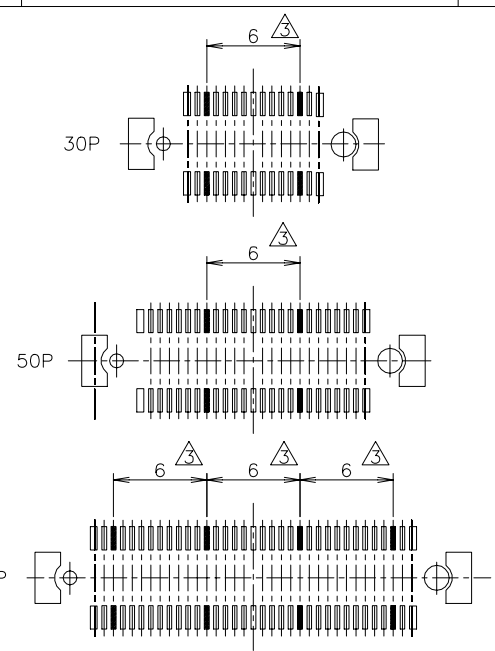
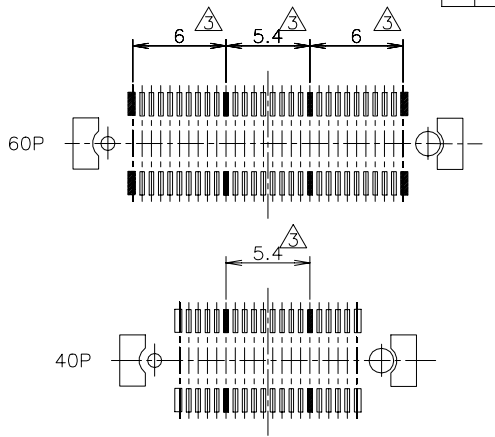
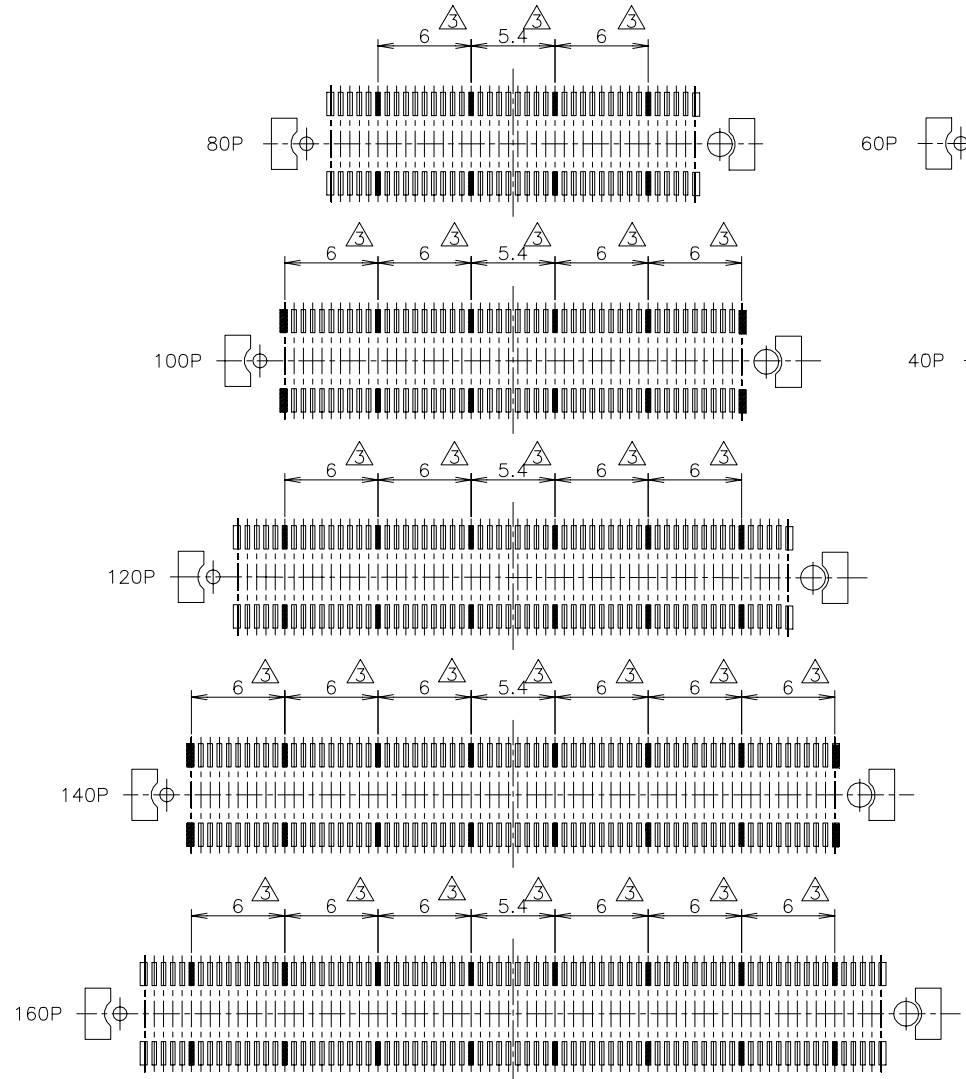
F-F
(GROUND POSITION)
(SCALE 8:1)

| | | | | | | | |
|----------------|------|------|------|----|------|-----|-------------|
| AVAILABLE | 51.8 | 50.6 | 54.7 | 50 | 47.4 | 160 | 1-5316560-1 |
| AVAILABLE | 45.8 | 44.6 | 48.7 | 44 | 41.4 | 140 | 1-5316560-0 |
| NOT AVAILABLE | 39.8 | 38.6 | 42.7 | 38 | 35.4 | 120 | -9 |
| AVAILABLE | 33.8 | 32.6 | 36.7 | 32 | 29.4 | 100 | -8 |
| NOT AVAILABLE | 30.8 | 29.6 | 33.7 | 29 | 26.4 | 90 | -7 |
| AVAILABLE | 27.8 | 26.6 | 30.7 | 26 | 23.4 | 80 | -6 |
| | 24.8 | 23.6 | 27.7 | 23 | 20.4 | 70 | -5 |
| | 21.8 | 20.6 | 24.7 | 20 | 17.4 | 60 | -4 |
| | 18.8 | 17.6 | 21.7 | 17 | 14.4 | 50 | -3 |
| AVAILABLE | 15.8 | 14.6 | 18.7 | 14 | 11.4 | 40 | -2 |
| NOT AVAILABLE | 12.8 | 11.6 | 15.7 | 11 | 8.4 | 30 | 5316560-1 |
| TOOLING STATUS | E | D | C | B | A | POS | △PART NO. |

REFERENCE P.C.BOARD LAYOUT

| | | | | |
|---------------------------------------------|-----------|-------------------------|-----------------------|-----------------|
| THIS DRAWING IS A CONTROLLED DOCUMENT. | | DWN | TE Connectivity Ltd. | |
| | | CHK | | |
| DIMENSIONS: 单位: 耗 mm | | APVD | NAME 名称 | |
| TOLERANCES UNLESS OTHERWISE SPECIFIED: 一般公差 | | PRODUCT SPEC 製品規格 | HARD TRAY ASSY | |
| 0 PLC ± 0.3 | | APPLICATION SPEC 取付適用規格 | FH 0.6BTB CONNECTOR | |
| 1 PLC ± 0.3 | | WEIGHT | REC 4H W/G-CONT | |
| 2 PLC ± 0.3 | | CUSTOMER DRAWING | SIZE A3 | CAGE CODE 00779 |
| 3 PLC ± 0.3 | | | DRAWING NO. G=5316560 | RESTRICTED TO |
| 4 PLC ± 0.3 | | | SCALE 尺度 4:1 | SHEET 2 OF 3 |
| ANGLES ± 0.3 | | | | REV B |
| MATERIAL 材料 | FINISH 仕上 | | | |

| REVISIONS | | | | | |
|-----------|-----|-------------|------|-----|------|
| 変更 | | | | | |
| P | LTR | DESCRIPTION | DATE | DWN | APVD |
| - | - | SEE SHEET 1 | - | - | - |



- △ MATERIAL ; HOUSING : HIGH TEMP THERMO PLASTIC
UL94V-0
- △ FINISH ; UNDER PL Ni 0.0013mm MIN ALL OVER.
CONTACT : COPPER ALLOY
CONTACT AREA 0.0002 MIN Au PL.
SOLDERING AREA: SIGNAL POS 0.00005 MIN Au PL.
GROUND POS 0.00005 MIN Au PL.
- △ THIS POSITION IS GROUND CIRCUIT.
- △ PACKING SEE SHEET 1.

| | | | | | |
|----------------------------------------|--|----------------------------------------------------------------------------------------|--|----------------------------------------------------------|--|
| THIS DRAWING IS A CONTROLLED DOCUMENT. | | DWN | | TE Connectivity Ltd. | |
| | | CHK | | | |
| DIMENSIONS: 单位: 耗 mm | | TOLERANCES UNLESS OTHERWISE SPECIFIED: 一般公差 | | NAME 名称 | |
| | | 0 PLC ± 0.3 1 PLC ± 0.3 2 PLC ± 0.3 3 PLC ± 0.3 4 PLC ± 0.3 ANGLES ± 3° | | HARD TRAY ASSY FH 0.6BTB CONNECTOR REC 4H W/G-CONT | |
| | | MATERIAL 材料 | | FINISH 仕上 | |
| | | APPLICATION SPEC 取付適用規格 | | RESTRICTED TO | |
| | | WEIGHT | | SCALE 尺度 3:1 | |
| | | CUSTOMER DRAWING | | SHEET 3 OF 3 | |
| | | | | REV B | |

单击下面可查看定价，库存，交付和生命周期等信息

[>>TE Connectivity\(泰科\)](#)