

THIS DRAWING IS UNPUBLISHED.

RELEASED FOR PUBLICATION

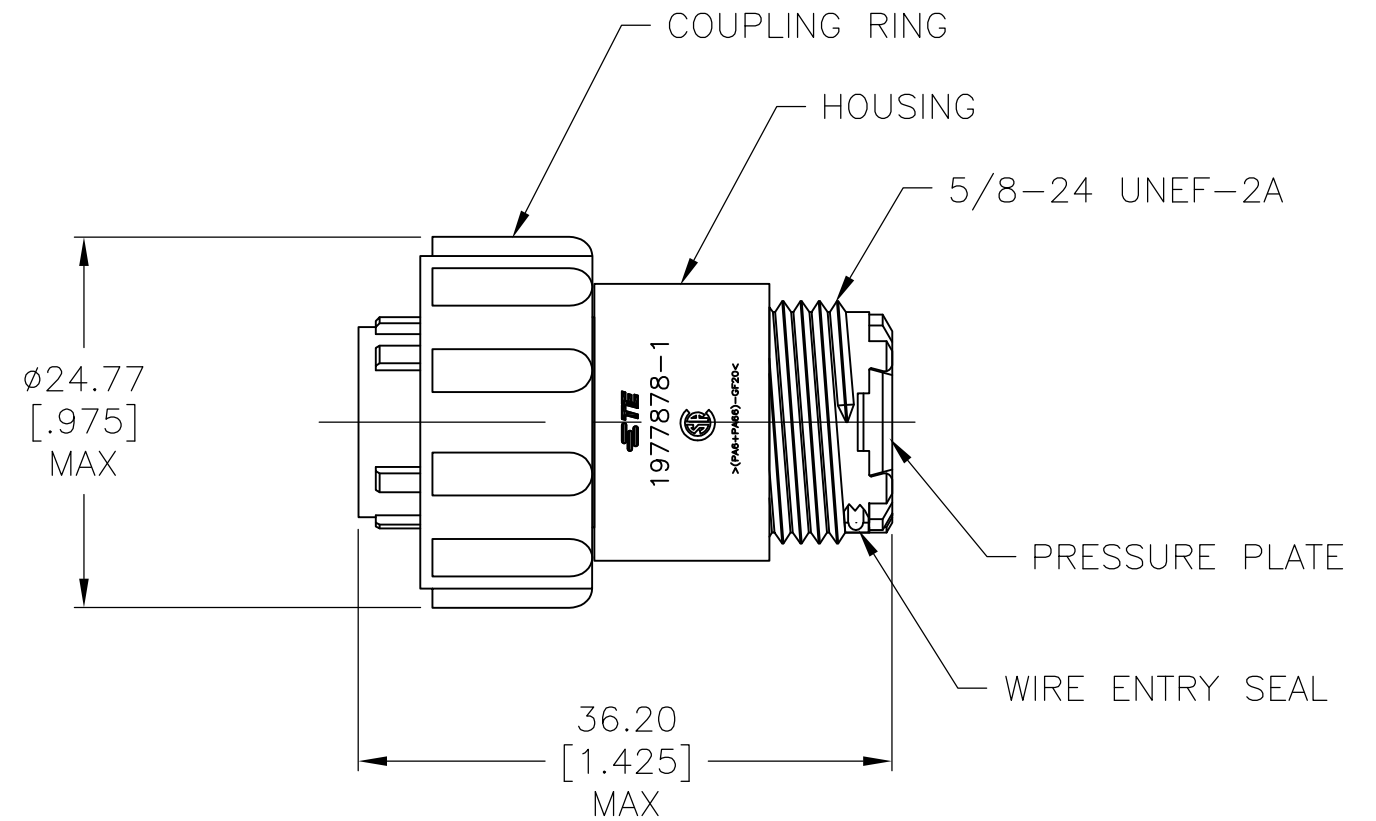
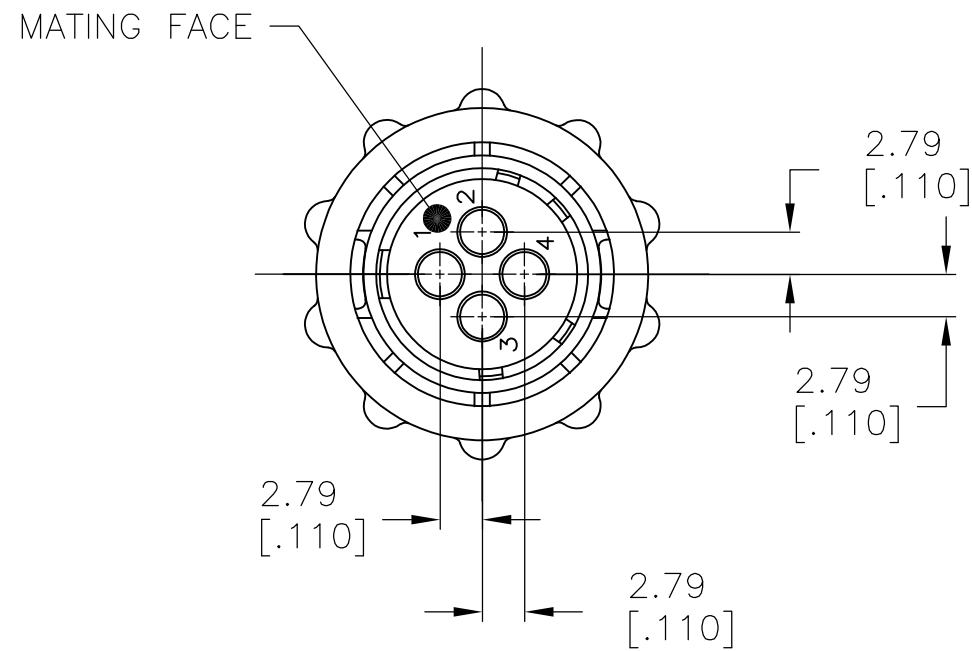
ALL RIGHTS RESERVED.

© COPYRIGHT - By -

REVISIONS

P	LTR	DESCRIPTION	DATE	DWN	APVD
	A1	REVISED PER ECO-13-001624	30JAN13	KH	MZ
	B	REVISED PER ECO-16-018358	09MAR2017	RS	MZ

- 1 THIS PART WILL ACCEPT FOUR (4) MULTIMATE SOCKET CONTACTS.
- 2 COUPLING RING, HOUSING, AND PRESSURE PLATE: NYLON, BLACK. WIRE ENTRY SEAL: ELASTOMER, RED-IRON OXIDE.
- 3 P/N 1977878-2 DOES NOT INCLUDE THE PRESSURE PLATE OR THE WIRE ENTRY SEAL.



3	OBSOLETE	1977878-2
		1977878-1
	PART NUMBER	

THIS DRAWING IS A CONTROLLED DOCUMENT.		DWN KIRAN HOLAL 08NOV12	TE Connectivity														
DIMENSIONS: mm [INCHES]		CHK M ZITTO 08NOV12															
TOLERANCES UNLESS OTHERWISE SPECIFIED:		APVD M ZITTO 08NOV12	NAME CPC PLUG ASSEMBLY, SERIES I, SEALED, 11-4, STANDARD SEX, UV RESISTANT														
<table border="0"> <tr> <td>0 PLC</td> <td>± -</td> </tr> <tr> <td>1 PLC</td> <td>± -</td> </tr> <tr> <td>2 PLC</td> <td>± 0.13 [.005]</td> </tr> <tr> <td>3 PLC</td> <td>± -</td> </tr> <tr> <td>4 PLC</td> <td>± -</td> </tr> <tr> <td>ANGLES</td> <td>± -</td> </tr> </table>		0 PLC	± -	1 PLC	± -	2 PLC	± 0.13 [.005]	3 PLC	± -	4 PLC	± -	ANGLES	± -	PRODUCT SPEC -	SIZE A3		
0 PLC	± -																
1 PLC	± -																
2 PLC	± 0.13 [.005]																
3 PLC	± -																
4 PLC	± -																
ANGLES	± -																
MATERIAL -		FINISH -	APPLICATION SPEC -	CAGE CODE 00779	DRAWING NO C-1977878												
CUSTOMER DRAWING			WEIGHT -	RESTRICTED TO -	SCALE 2:1												
			SHEET 1 OF 1		REV B												

单击下面可查看定价，库存，交付和生命周期等信息

[>>TE Connectivity\(泰科\)](#)