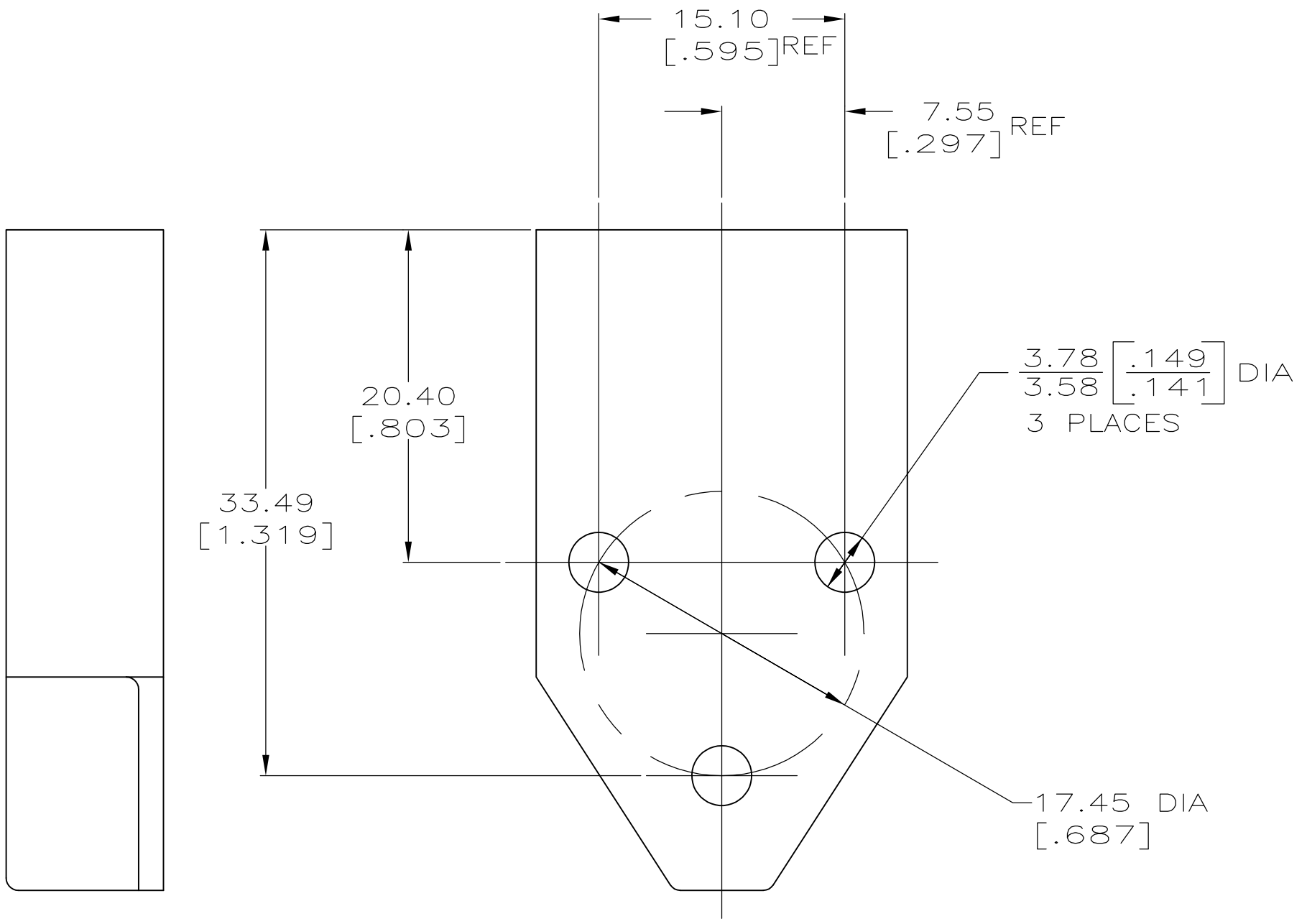
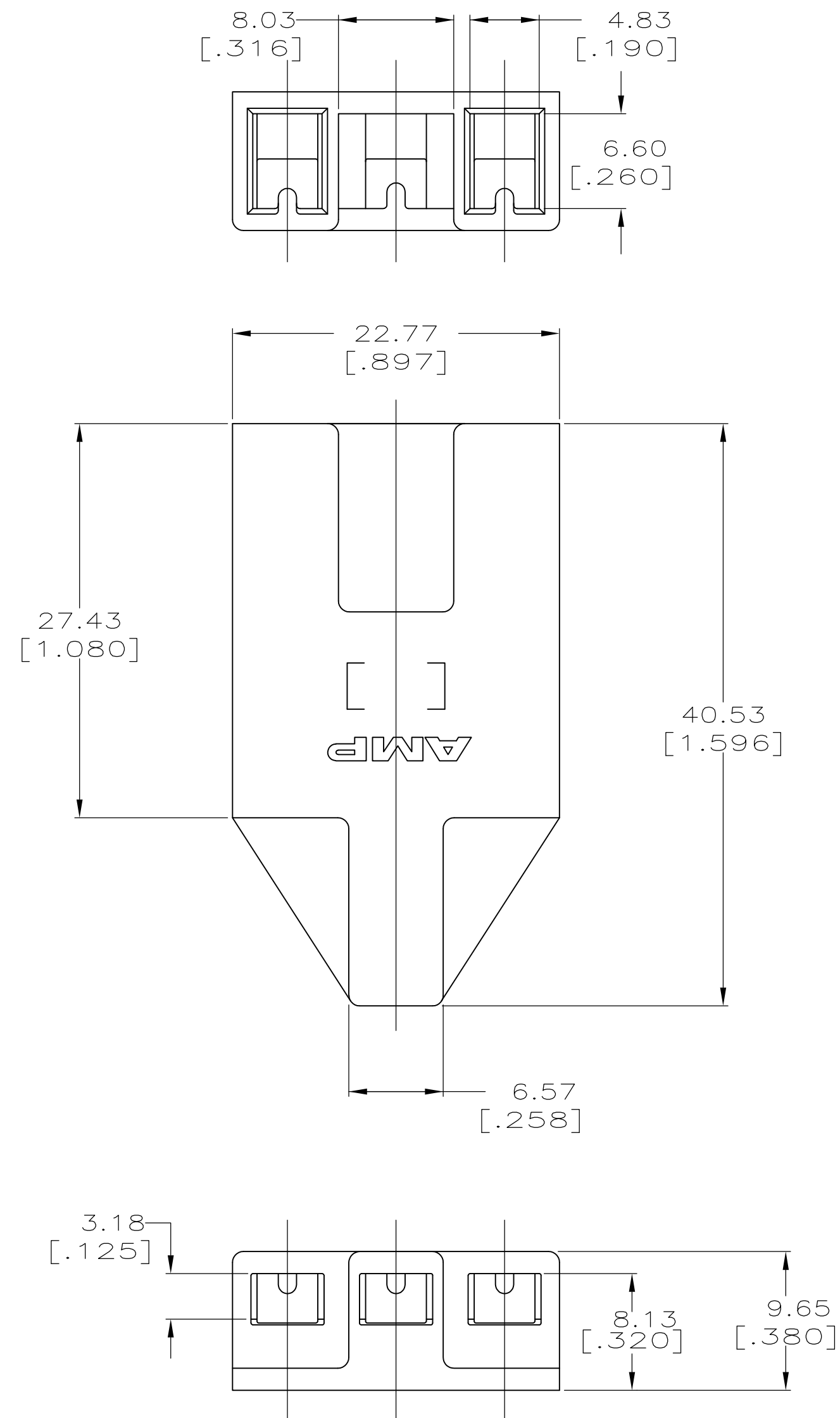


THIS DRAWING IS UNPUBLISHED. RELEASED FOR PUBLICATION
 © COPYRIGHT BY TYCO ELECTRONICS CORPORATION. ALL INTERNATIONAL RIGHTS RESERVED.

LOC	DIST	REVISIONS			
P	LTR	DESCRIPTION	DATE	DWN	APVD
AF	50				
		E REVISED PER ECR-09-006852	21APR10	HMR	GJ

1 HOUSING ACCEPTS 3.18 [.125] DIA CLUSTER BLOCK PIN RECEPTACLES.



520995-1
PART NUMBER

THIS DRAWING IS A CONTROLLED DOCUMENT.		DWN M.S. FEHER 09JUN2006	Tyco Electronics Corporation Harrisburg, PA 17105-3608	
DIMENSIONS: mm [INCHES]		CHK G.D. PORTA 09JUN2006		
TOLERANCES UNLESS OTHERWISE SPECIFIED:		APVD G.D. PORTA 09JUN2006	NAME HOUSING, CLUSTER BLOCK, 3.18 [.125] DIA	
0 PLC ± -	1 PLC ± -	PRODUCT SPEC -	SIZE A2	CAGE CODE 00779
2 PLC ± 0.25 [.010]	3 PLC ± -	APPLICATION SPEC -	DRAWING NO C=520995	RESTRICTED TO -
4 PLC ± -	ANGLES ± -	WEIGHT -	SCALE 1:1	SHEET 1 OF 1
MATERIAL PBT UNFILLED	FINISH NATURAL	CUSTOMER DRAWING	REV E	

单击下面可查看定价，库存，交付和生命周期等信息

[>>TE Connectivity\(泰科\)](#)