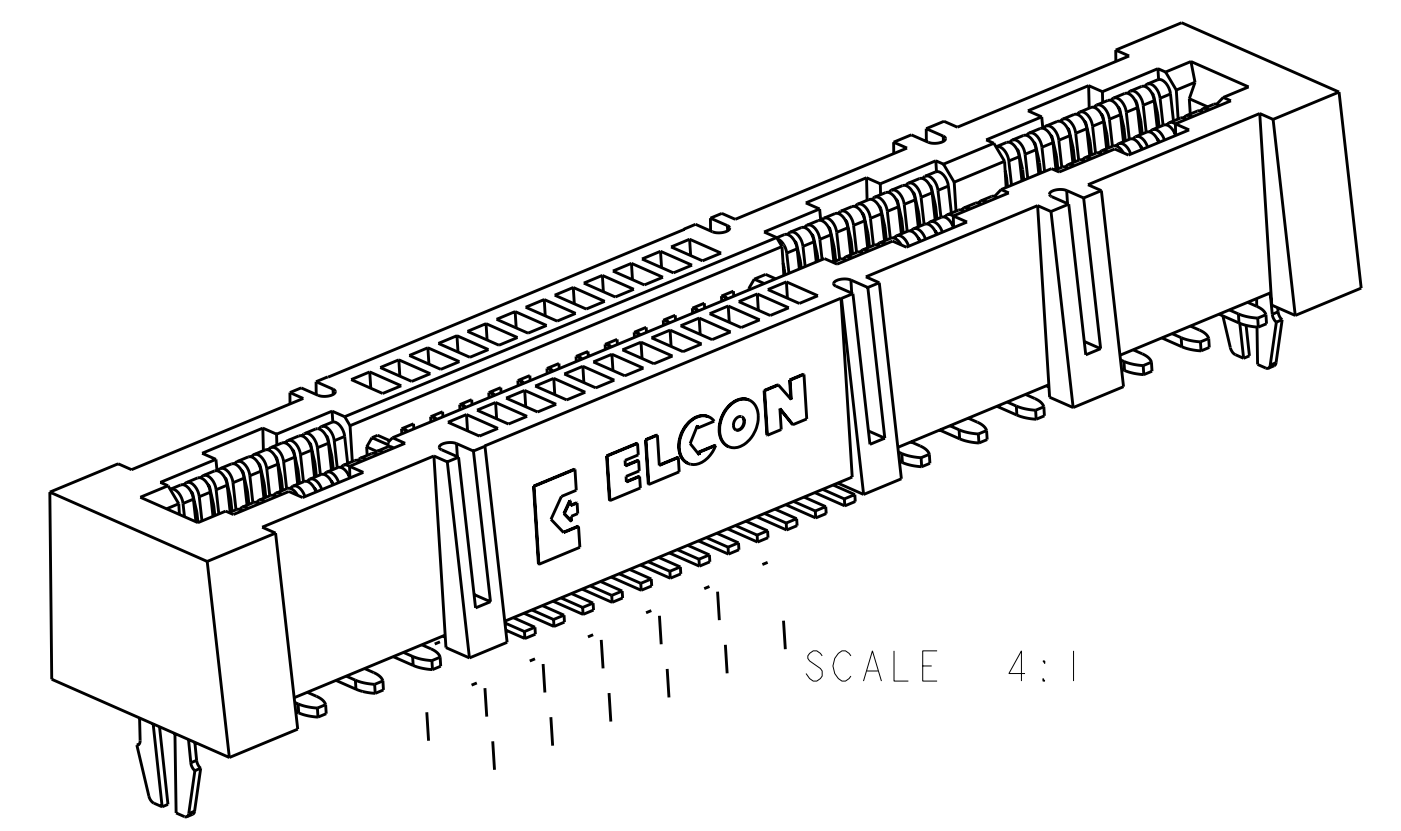
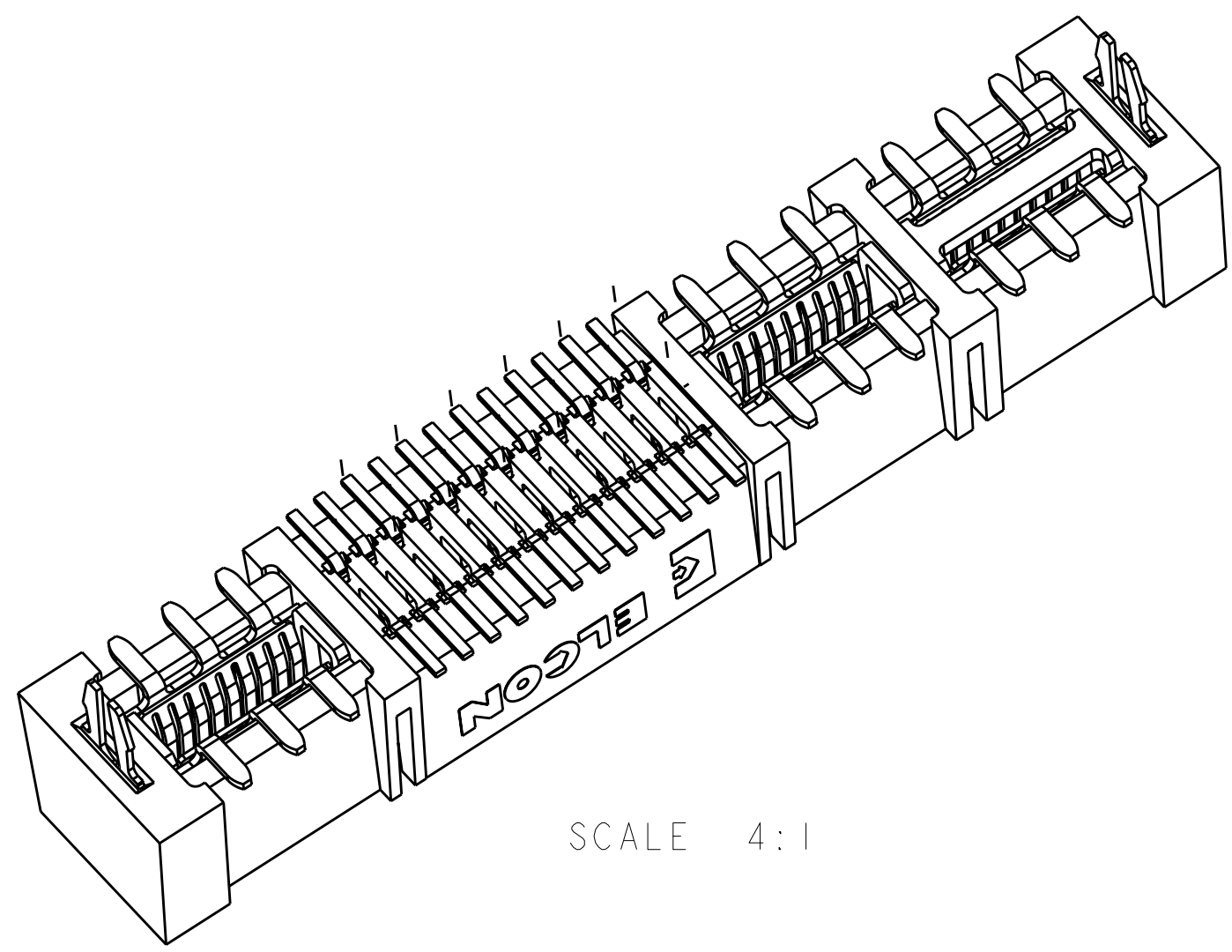
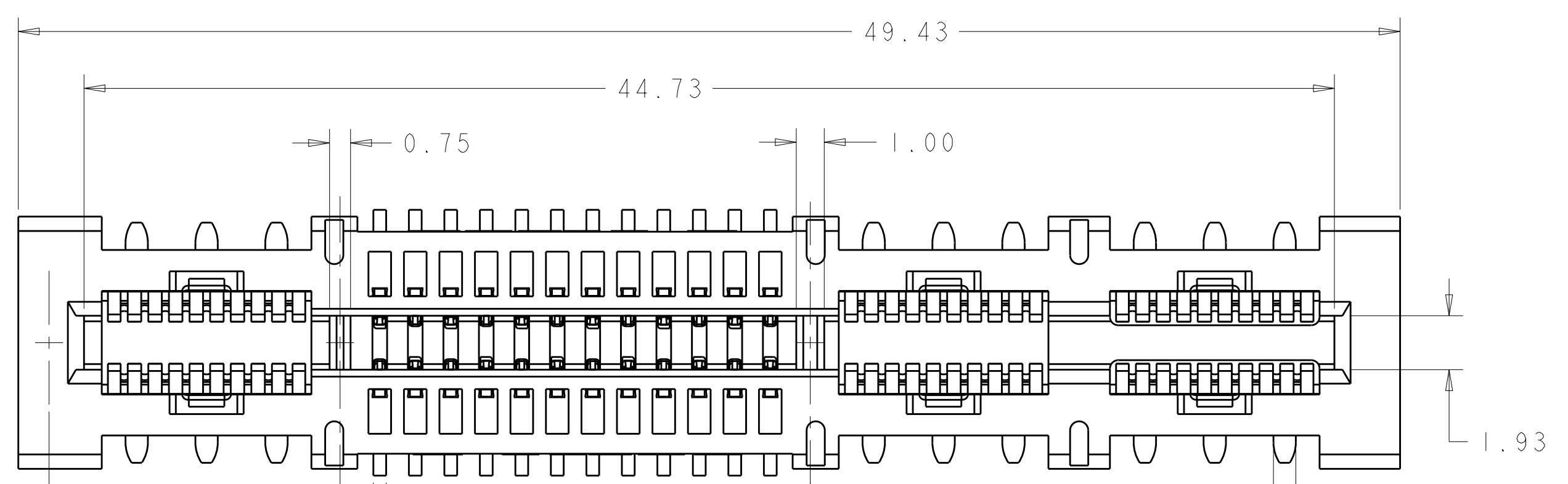


LOC	DIST	REVISIONS			
GP	00	REV	DATE	BY	APPD
		A	RELEASED PER ECO-09-019324	20AUG2009	RG RL



1. PART NUMBER CHANGES AND OR DESIGN CHANGES AFFECTING ITEM INTERCHANGEABILITY REQUIRE PRIOR TYCO ELECTRONICS APPROVAL AND AUTHORIZATION BY REVISION TO THIS DRAWING.

2. MATERIAL:
 INSULATOR - THERMOPLASTIC, GLASS REINFORCED UL94V-0
 COLOR: BLACK, FLAMMABILITY RATED
 CONTACTS - COPPER ALLOY

3. FINISH:
 POWER CONTACT - SELECTIVE GOLD PLATE 0.76µm MIN THK. OVER NICKEL 1.27µm MIN THK.
 SMT TAILS - TIN PLATE 3.05µm MIN. THK. OVER NICKEL 1.27µm MIN. THK.

SIGNAL CONTACT - SLECTIVE GOLD PLATE 0.76µm MIN THK. OVER NICKEL 1.27µm MIN THK.
 SMT TAILS - MATTE TIN PLATE 3.81µm MIN THK. OVER NICKEL 1.27µm MIN THK.

4. A REFERENCE DIMENSION (X.XX) IS WITHOUT TOLERANCE AND USED FOR INFORMATION PURPOSE ONLY.

5. ITEMS PROVIDED TO THIS SPECIFICATION TO BE PERMANENTLY IDENTIFIED PER THE FOLLOWING IDENTIFIER:

YEAR 1 WEEK 1
 TYCO ELECTRONICS P/N XXXXXXX-X DATE CODE (e.g. 0525) XXXX

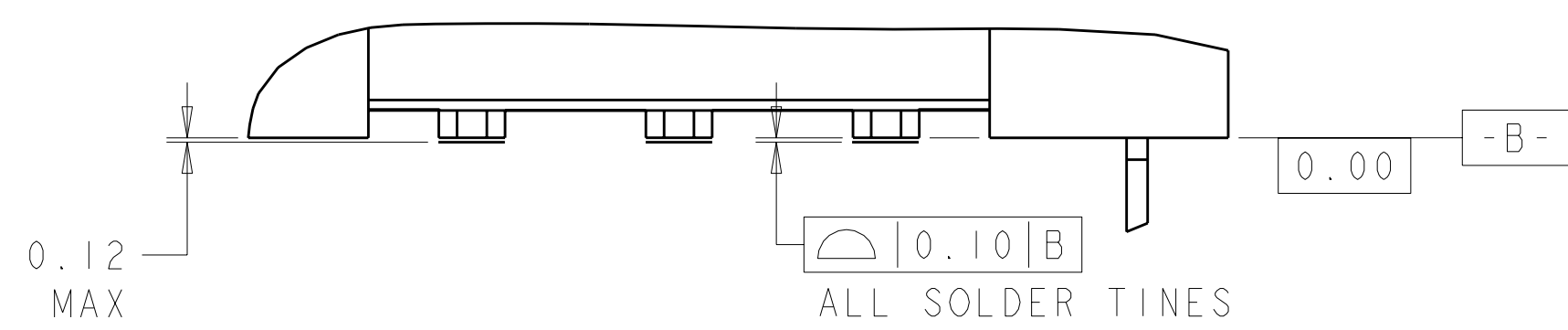
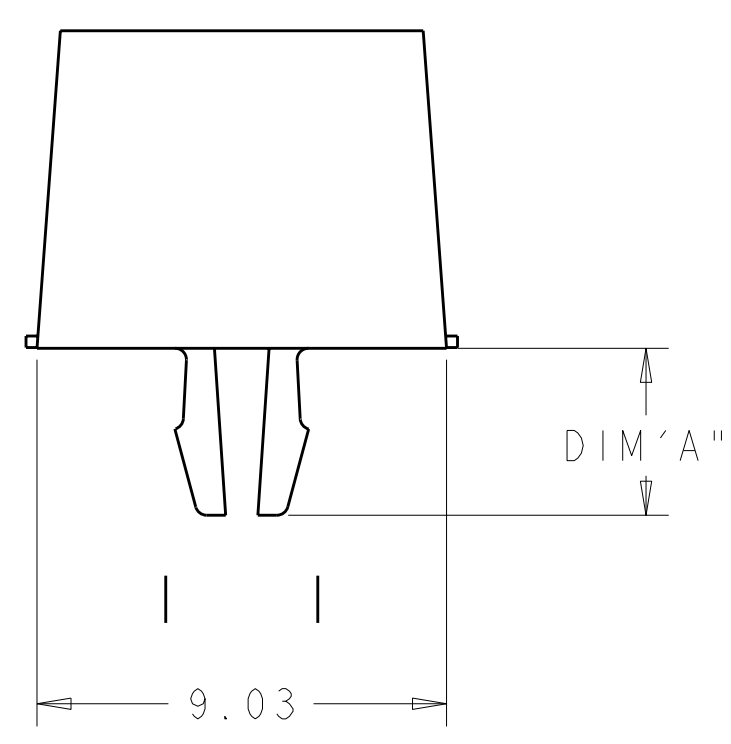
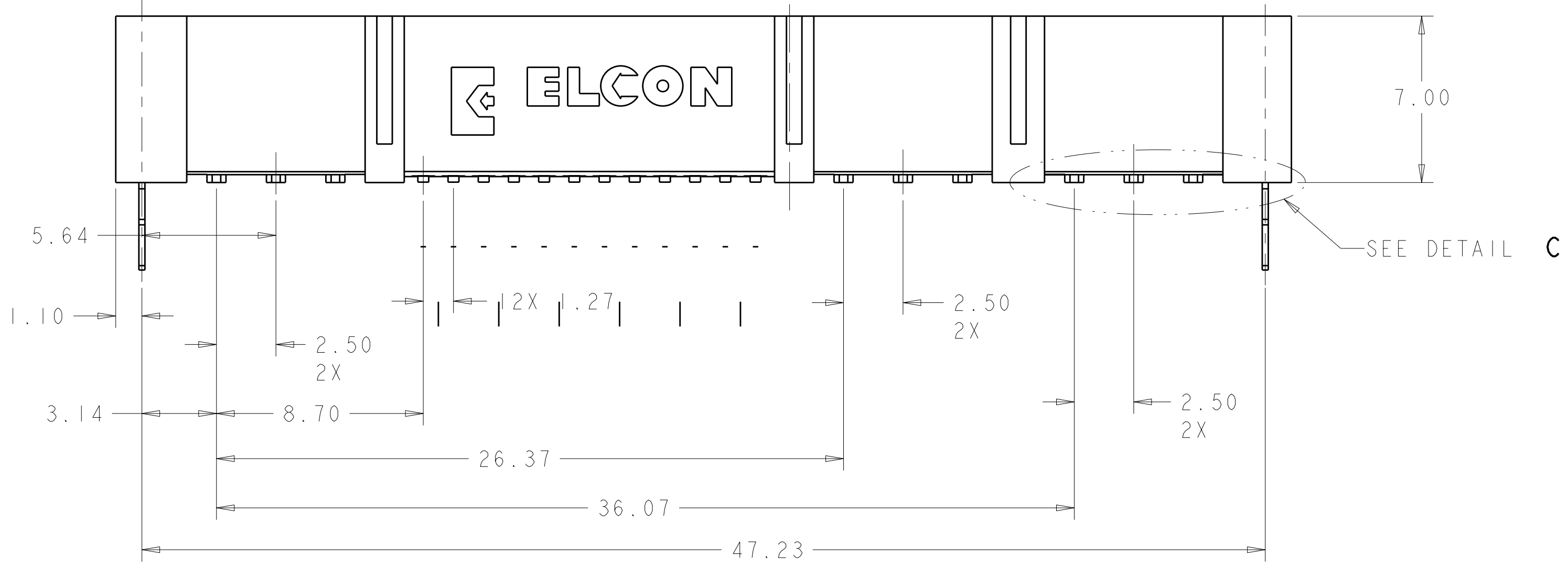
6. DATUMS AND BASIC DIMENSIONS ESTABLISHED BY CUSTOMER.

7. MAXIMUM BURR OF 0.013 ON CARD TAB AREA.

8. CONNECTOR ACCEPTS 1.57±0.13 THK. PC BOARD.

9. KEEP OUT AREA FOR COMPONENTS ONLY.

10. RECOMMENDED GOLD FINGER LENGTH FOR RELIABLE CONTACT.



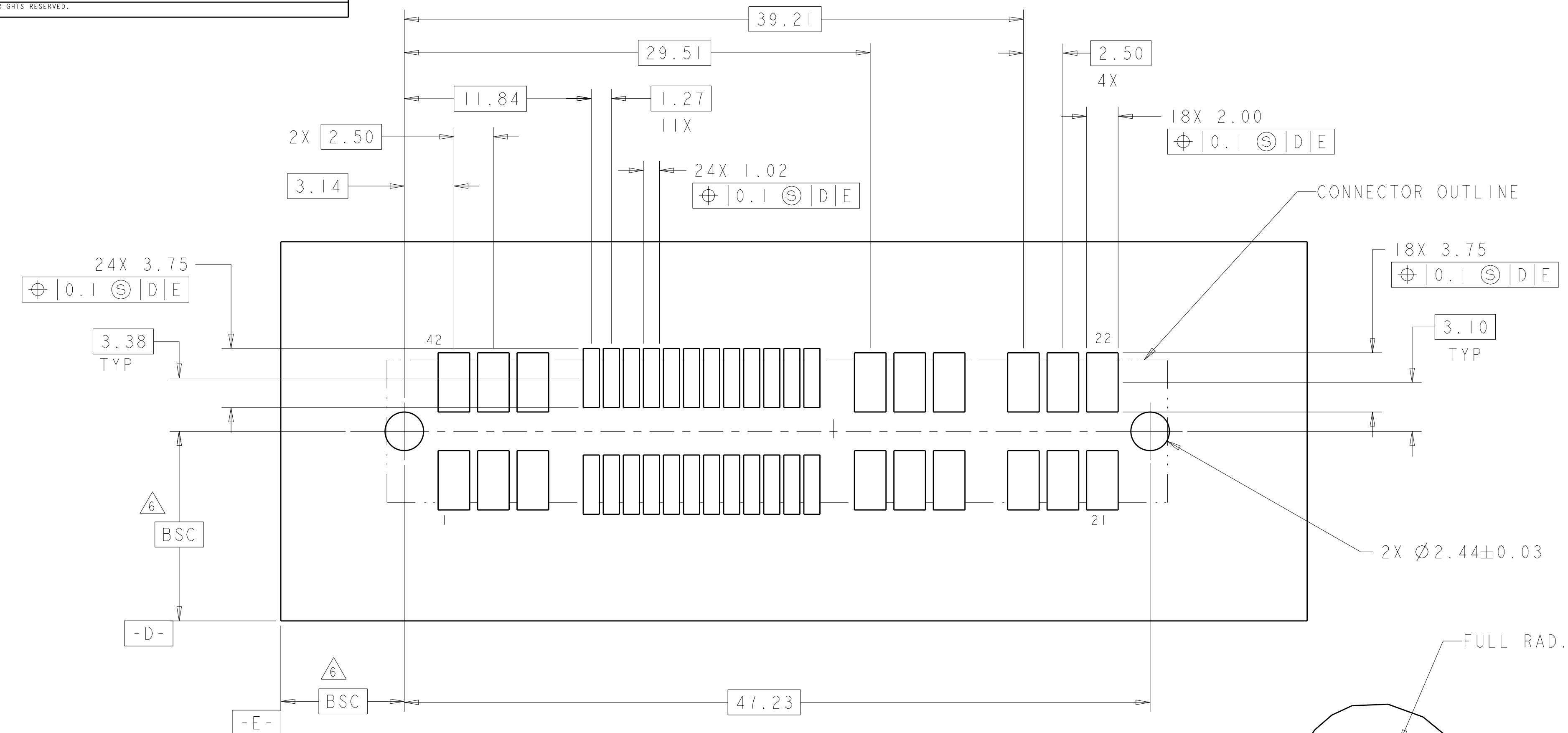
DETAIL C
 SCALE 12:1

MATERIAL	DIM "A"	BOARD THICKNESS RANGE	PART NO.
GF30	5.24	2.92 - 3.55	1926819-8
	4.61	2.29 - 2.92	1926819-7
	4.19	1.57 - 2.29	1926819-6
GF45	5.24	≤ 1.57	1926819-5
	5.24	2.92 - 3.55	1926819-4
	4.61	2.29 - 2.92	1926819-3
GF45	4.19	1.57 - 2.29	1926819-2
	3.68	≤ 1.57	1926819-1

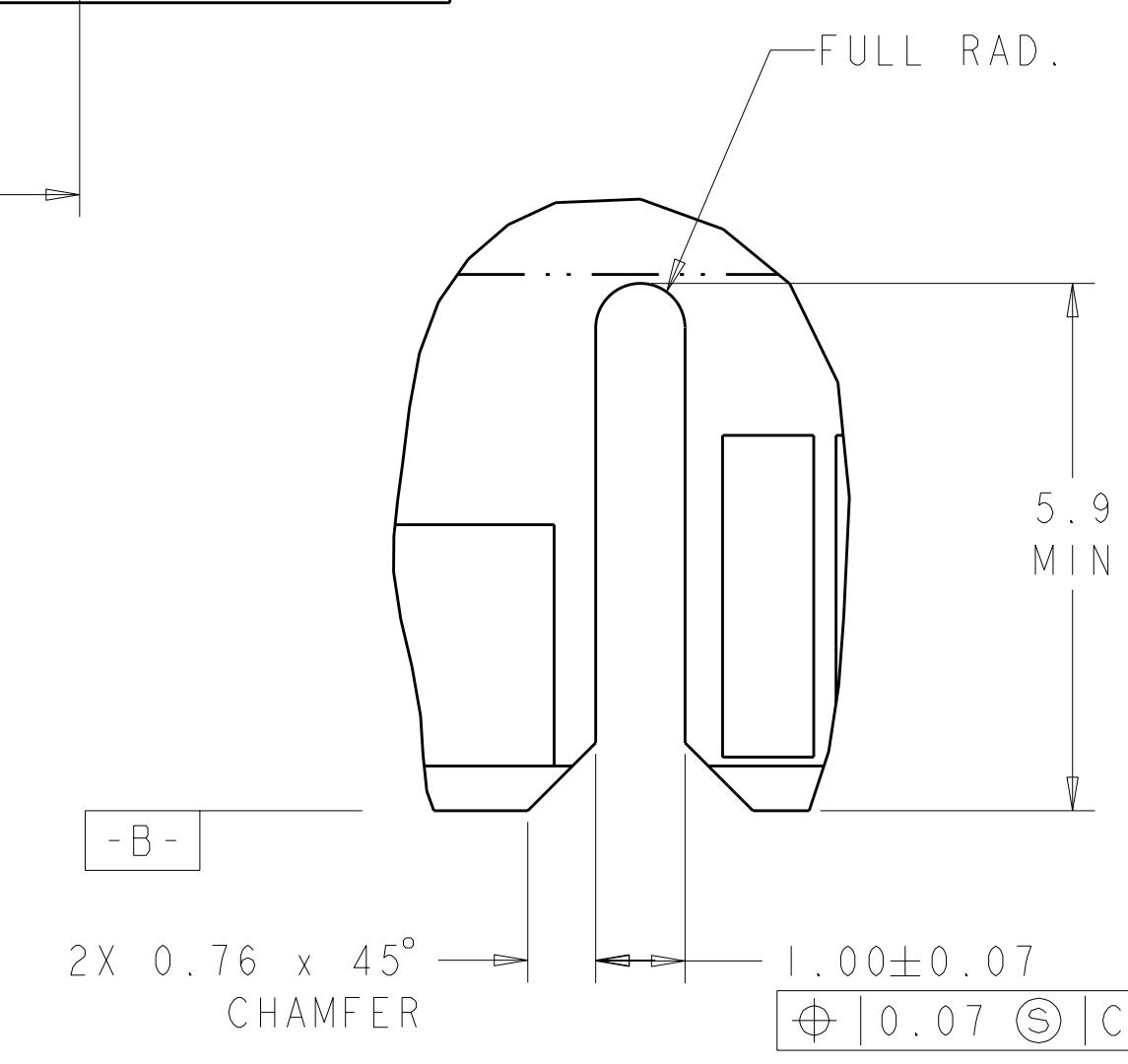
DIMENSIONS:		TOLERANCES UNLESS OTHERWISE SPECIFIED:		DWN		Tyco Electronics	
mm	0 PLC ±.25	1 PLC ±.25	2 PLC ±.08	3 PLC ±.08	4 PLC ±.08	5 PLC ±.08	6 PLC ±.08
ANGLES	±.3	FINISH		16APR2008	R. GRZYBOWSKI	16APR2008	P. DAMATO
MATERIAL	3	FINISH		16APR2008	S. FLICKINGER	16APR2008	S. FLICKINGER
WEIGHT	-	APPLICATION SPEC		NAME			
CUSTOMER DRAWING	-	APPLICATION SPEC		HOUSING, SOCKET, 3 POWER, 24 SIGNAL NO LATCH, MINI CROWN EDGE			
SCALE	8:1	SIZE		A 00779 C=1926819			
SHEET	1 OF 2	RESTRICTED TO		-			

LOC	DIST	REV	DATE	BY	APPD
GP	00				

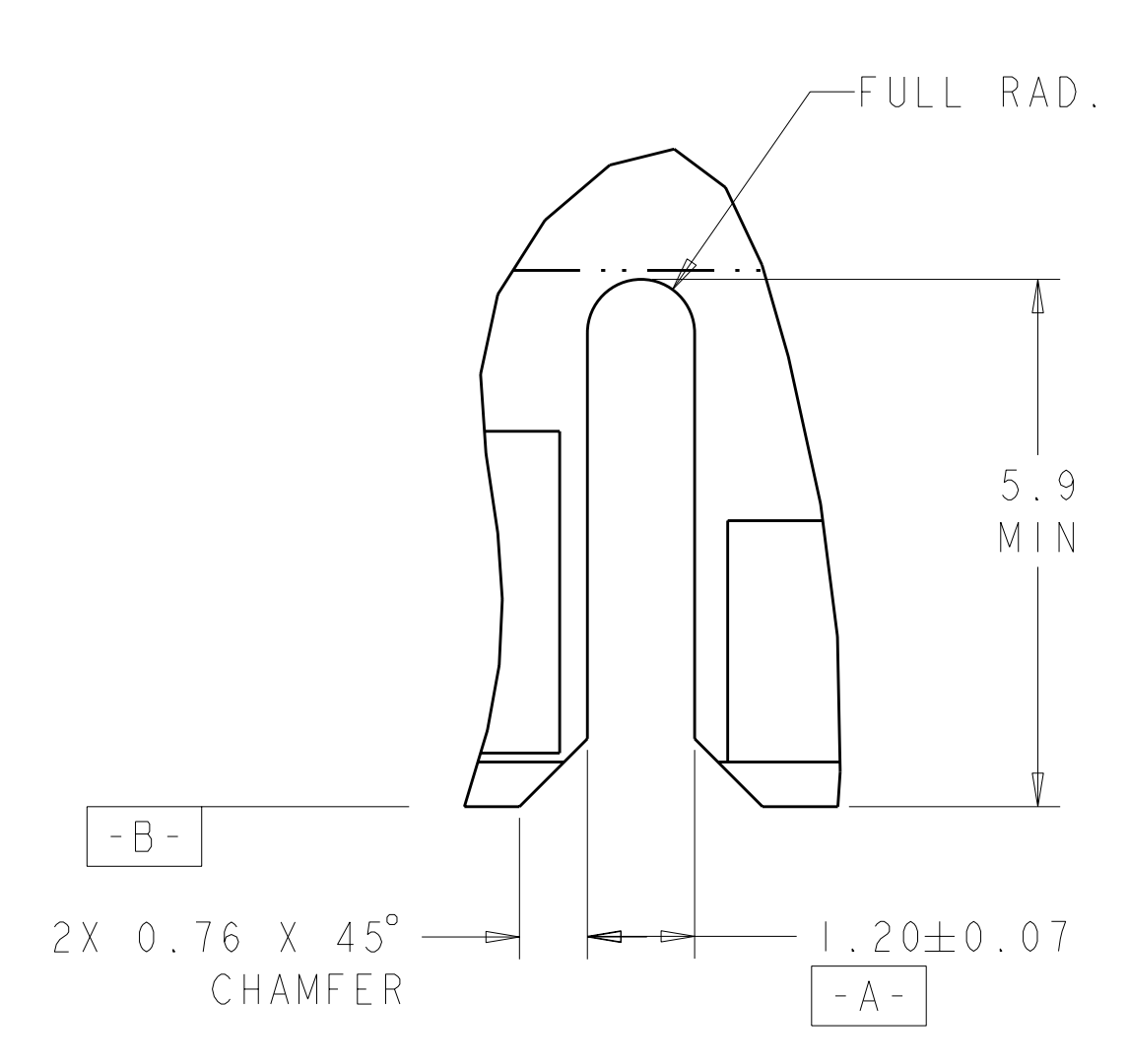
REVISIONS		DATE	BY	APPD
1	SEE SHEET 1			



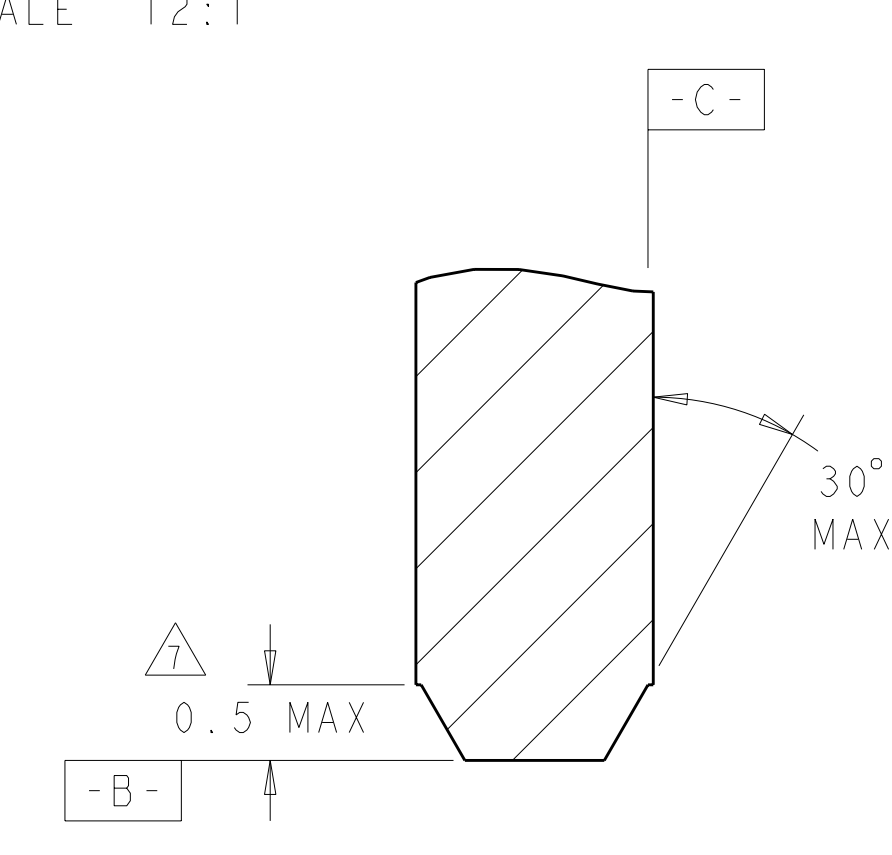
RECOMMENDED SOLDER LAND LAYOUT
 AS VIEWED FROM CONNECTOR SIDE



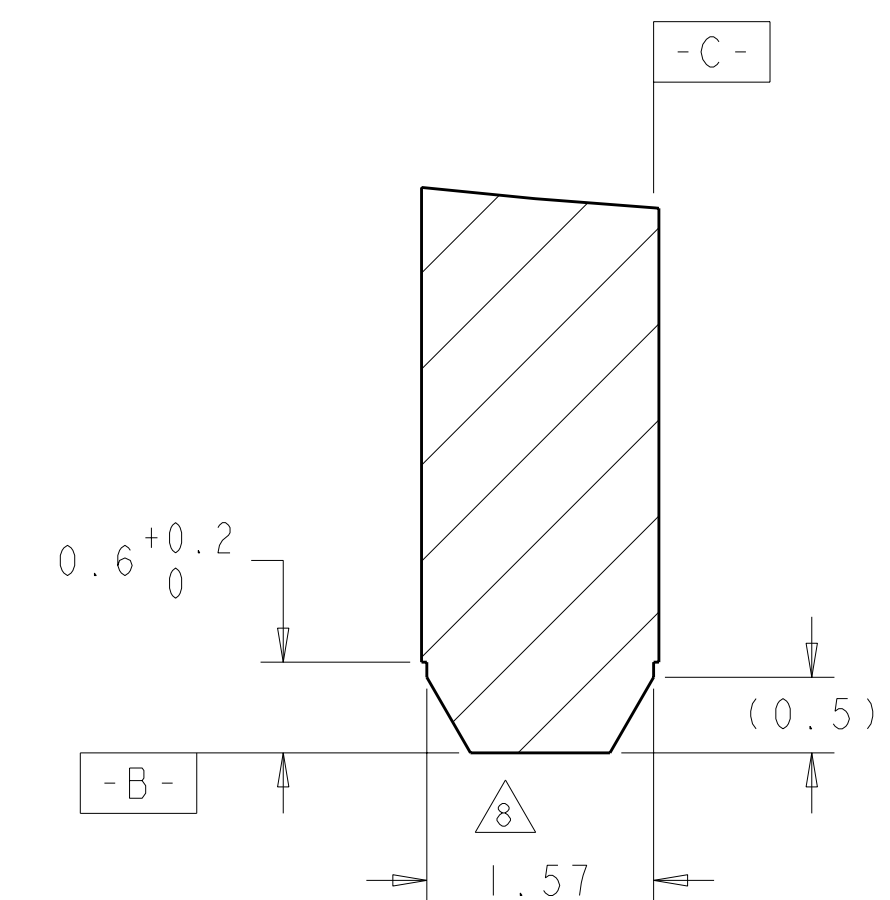
DETAIL S
 SCALE 12:1



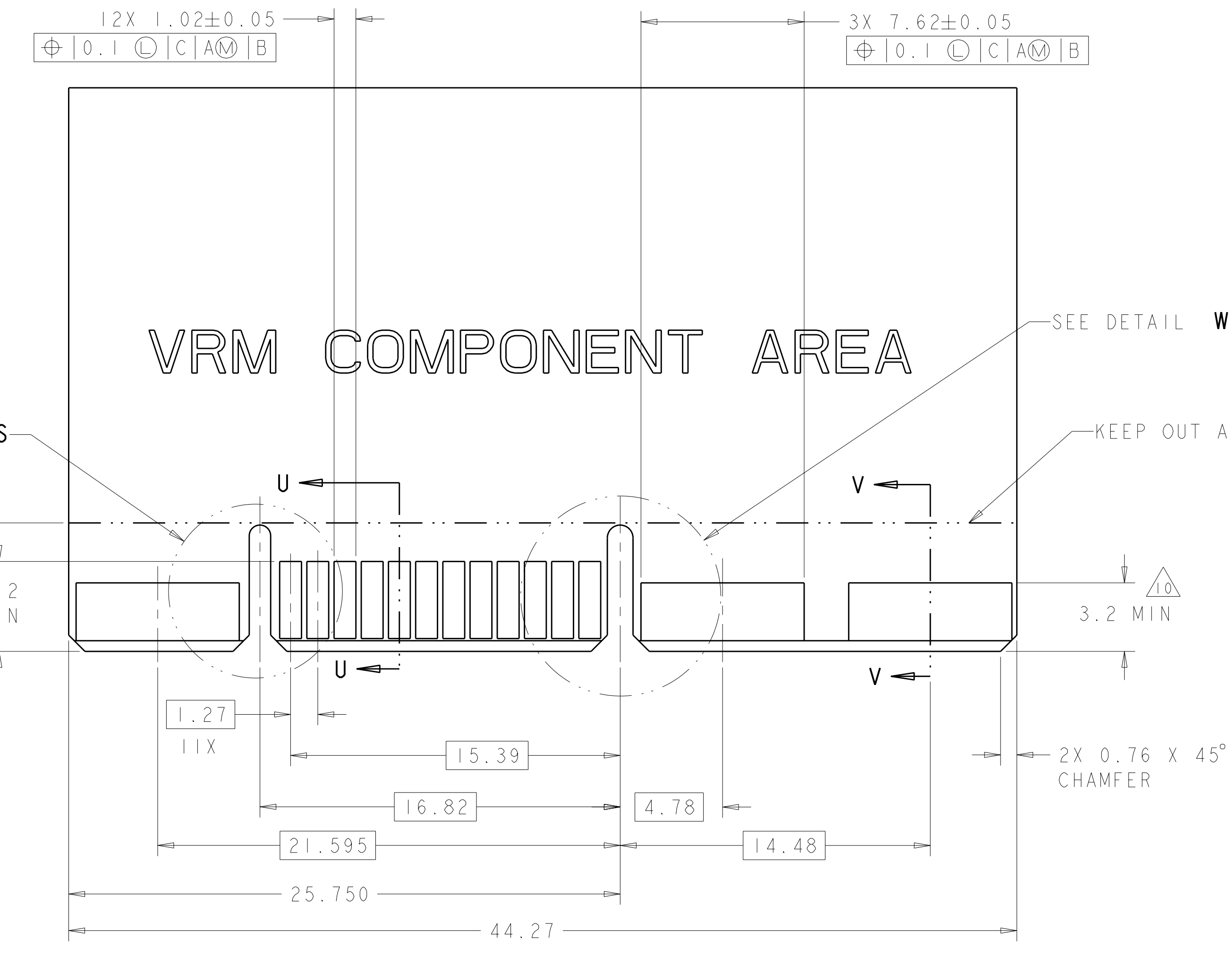
DETAIL W
 SCALE 12:1



SECTION V-V
 SCALE 20:1



SECTION U-U
 SCALE 20:1



RECOMMENDED MATING BOARD
 SCALE 6:1

DESIGN APPROVED THIS PRINT IS
PRELIMINARY
 TO FIRST PIECE APPROVAL
 CONTACT PRODUCT ENGINEERING
 BEFORE USING THIS PRINT

DIMENSIONS: mm 		TOLERANCES UNLESS OTHERWISE SPECIFIED: 9 PLC ±.25 1 PLC ±.08 5 PLC ±.08 4 PLC ±. ANGLES ±.3		DWN R. GRZYBOWSKI 16APR2008 CHK P. DAMATO 16APR2008 APVD S. FLICKINGER 16APR2008		Tyco Electronics Harrisburg, PA 17105-3608	
MATERIAL: - FINISH: -		WEIGHT: - CUSTOMER DRAWING: -		NAME: HOUSING, SOCKET, 3 POWER, 24 SIGNAL NO LATCH, MINI CROWN EDGE PRODUCT SPEC: - APPLICATION SPEC: -		SIZE: A1100779 CAGE CODE: C=1926819 DRAWING NO: - RESTRICTED TO: -	
SCALE: 8:1				SHEET: 2 OF 2		REV: A	

单击下面可查看定价，库存，交付和生命周期等信息

[>>TE Connectivity\(泰科\)](#)