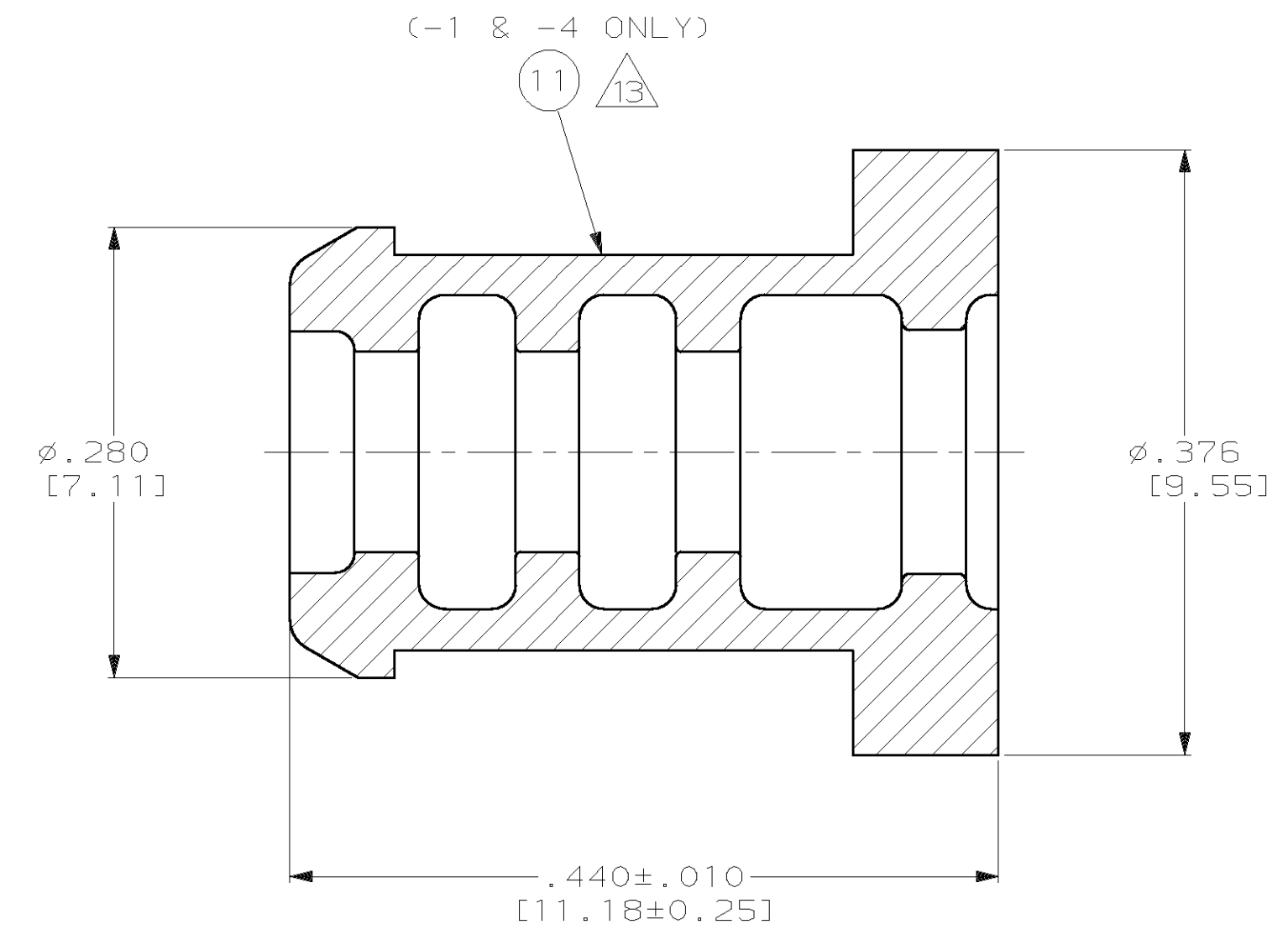
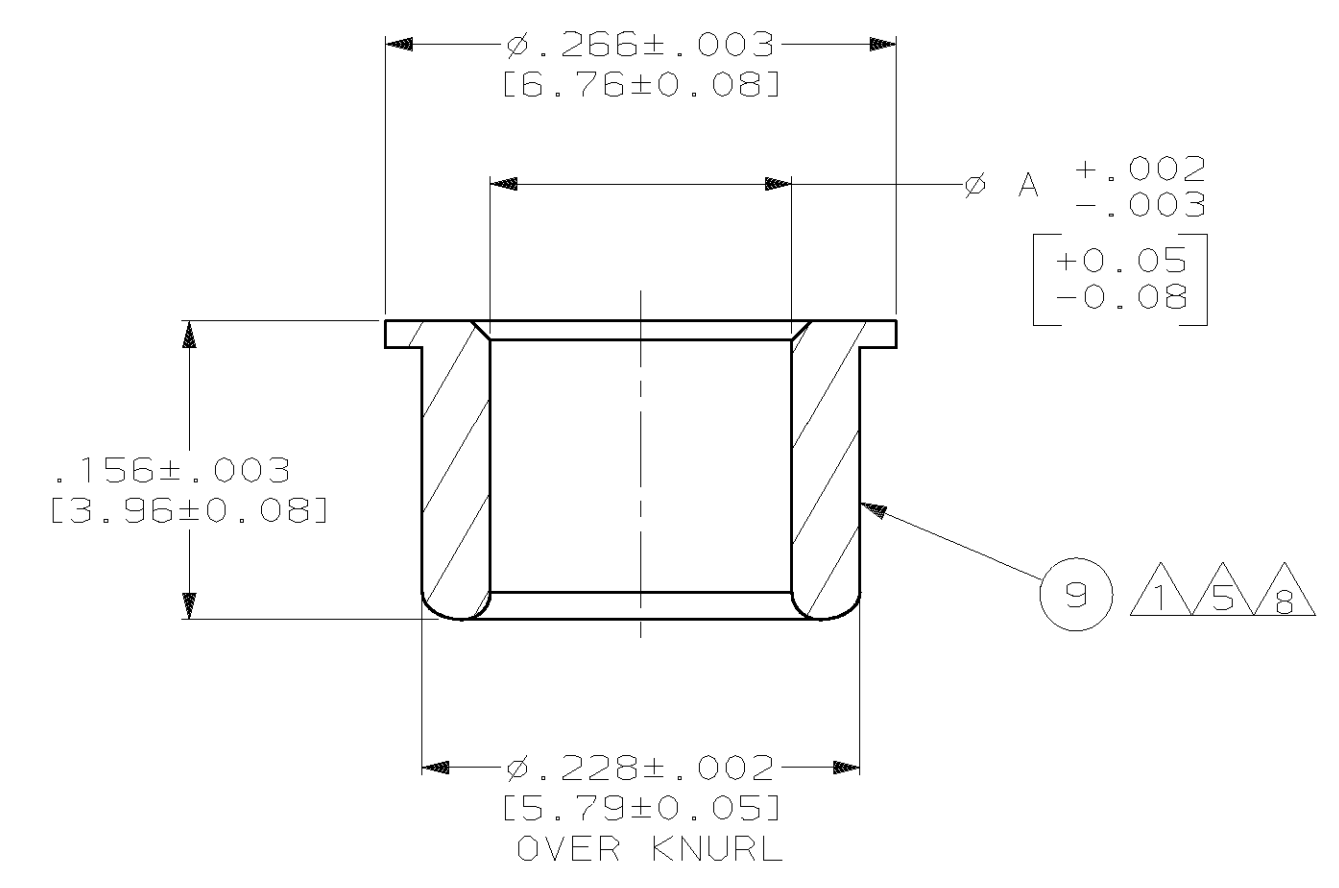
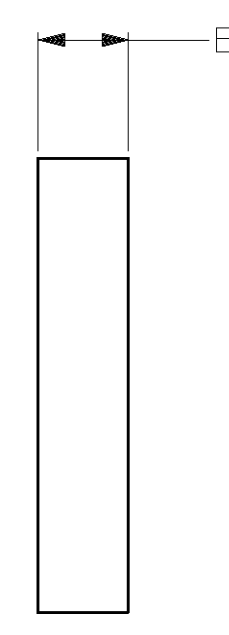
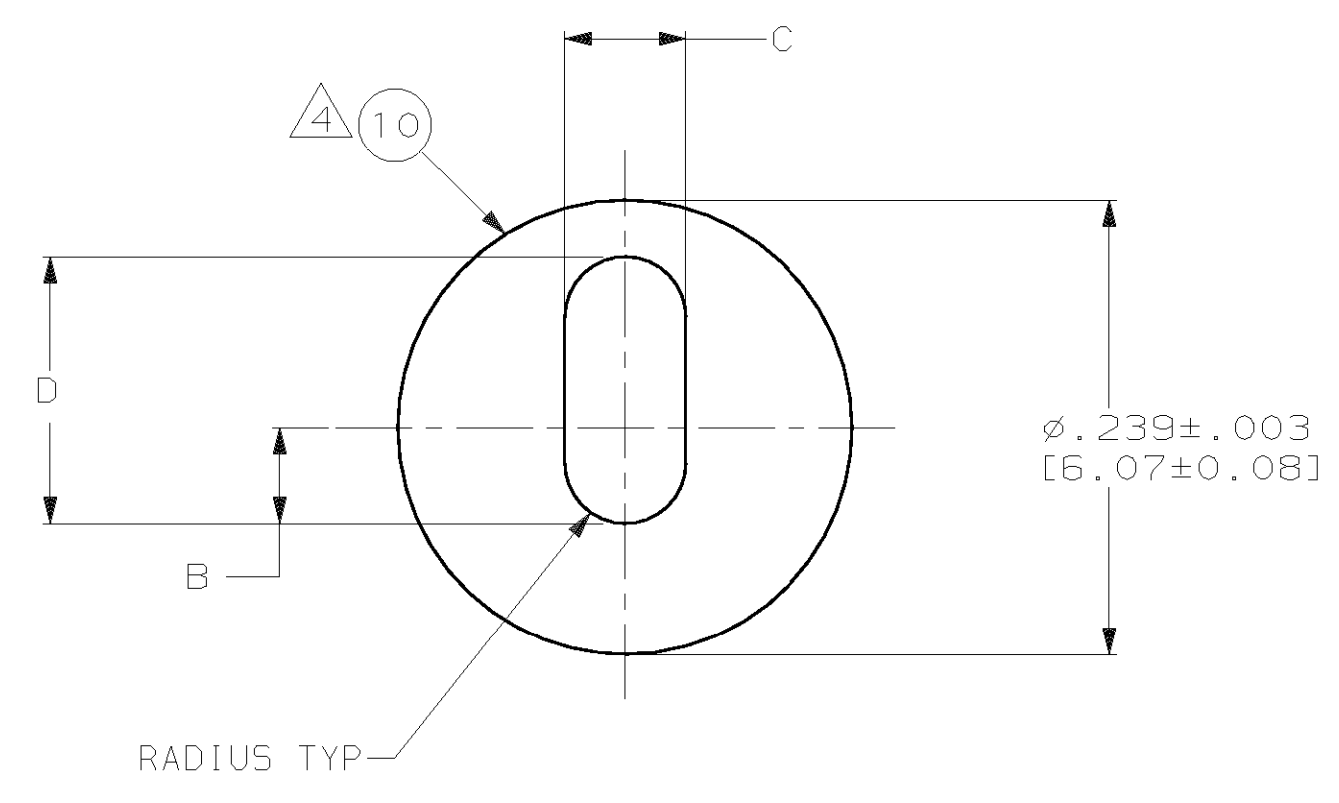
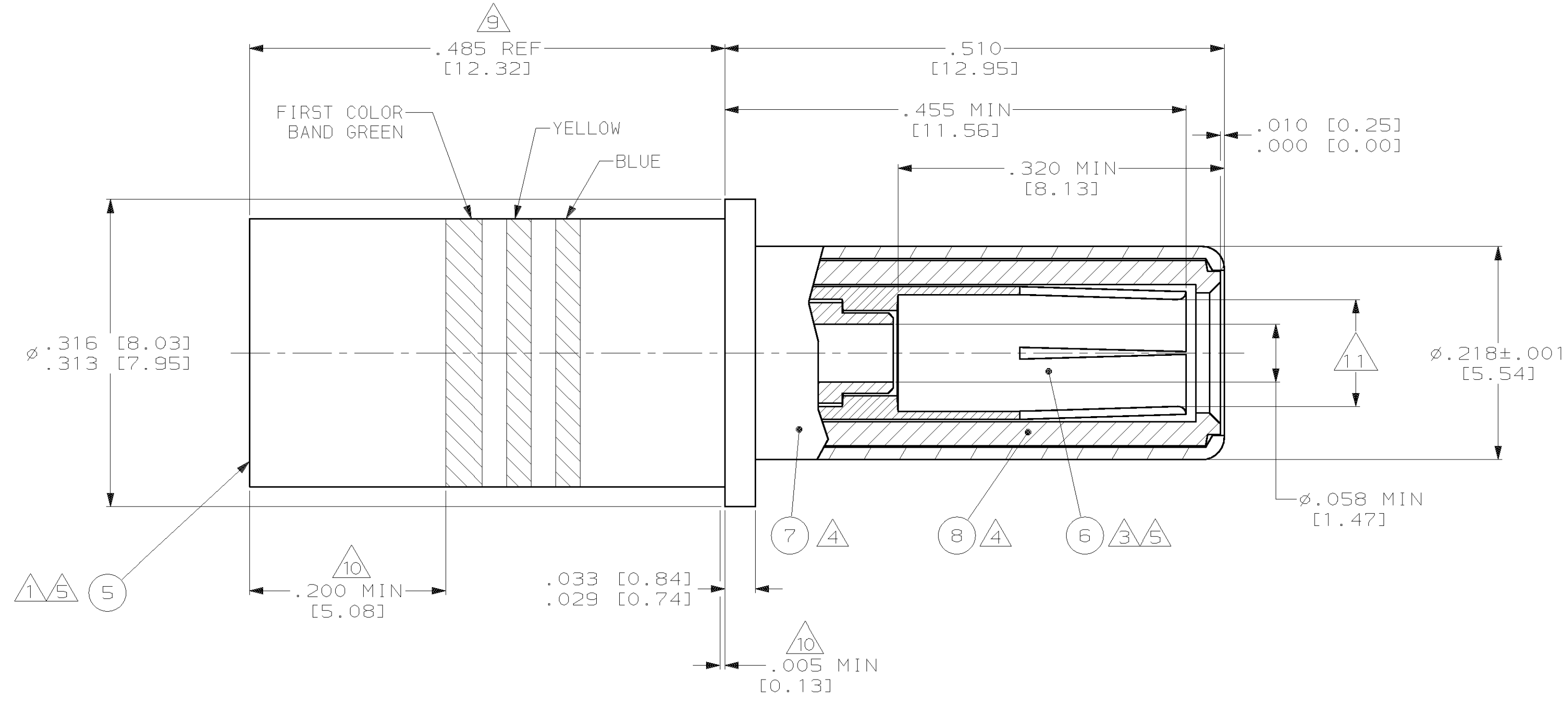
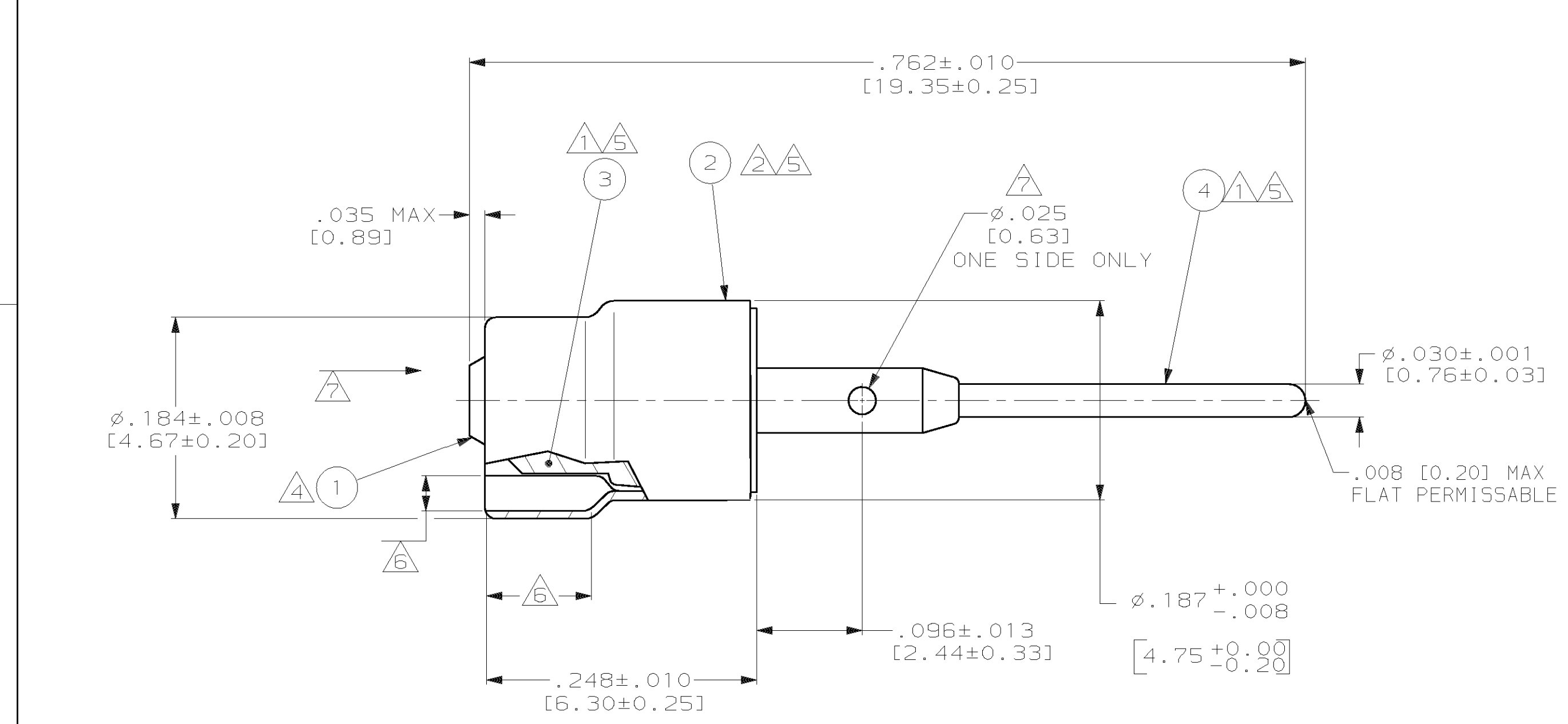


| LOC | DIST | P | F | ZONE | LTR | REVISIONS | DATE | APPD |
|-----|------|---|---|------|-----|----------------------|------|------|
| DF | X0 | | | | | DESCRIPTION | | |
| | | | | | | REV PER 063D-0579-00 | CT | 1-01 |
| | | | | | | | | SG |

| PART NO | CABLE | DIM A | DIM B | DIM C | DIM D | DIM E | REMARKS |
|----------|--|-------------|-------------|-------------|-------------|-------------|---------|
| 222190-1 | M17-176-00002; NORTHROP 05A078-1 | .143 [3.63] | .032 [0.81] | .054 [1.37] | .112 [2.84] | .047 [1.19] | △12 |
| 222190-2 | M17-176-00002; NORTHROP 05A078-1 | .143 [3.63] | .032 [0.81] | .054 [1.37] | .112 [2.84] | .047 [1.19] | △12 |
| 222190-3 | TENSOLITE 24463/9P025X-2 (LD) OR TENSOLITE 24463/9B017X-2 (LD) (OBSOLETE) | .157 [3.99] | .050 [1.27] | .063 [1.60] | .140 [3.56] | .052 [1.32] | - |
| 222190-4 | M17-176-00002; NORTHROP 05A078-1 | .143 [3.63] | .032 [0.81] | .054 [1.37] | .112 [2.84] | .047 [1.19] | - |



- △1 MAT'L: BRASS PER ASTM-B-16
- △2 MAT'L: COPPER PER ASTM-B-152.
- △3 MAT'L: BERYLLIUM COPPER PER ASTM-B-196.
- △4 MAT'L: PTFE PER ASTM-D-1710.
- △5 FINISH: GOLD PLATE PER MIL-G-45204, TYPE 1, GRADE C, CLASS 1 OVER NICKEL .000050 [0.0013] THK PER QQ-N-290, CLASS 2.
- △6 A .0285 [0.72] GAGE PIN MUST ENTER FOR A LENGTH OF .085 [2.16] MIN.
- △7 .028 [0.71] GO - .030 [0.76] NO GO GAGE WILL ENTER TO A DEPTH OF SIGHT HOLE.
- △8 160 DP. FULL DIAMOND KNURL OVER THIS LENGTH.
- △9 .533 [13.54] MAX AFTER TERMINATION TO CABLE
- △10 BANDS COLOR CODED PER MIL-C-39029 COLOR CODE BANDS CAN BE LOCATED ANYWHERE BETWEEN THE .200 [5.08] MIN AND .005 [0.13] MIN DIMENSIONS.
- △11 MATES WITH A .113±.001 [2.87±0.03] PIN.
- △12 BAG MARKED WITH CUSTOMER P/N (05A075-1) FOR -1 & -2 ONLY.
- △13 MAT'L: FLOURSILICONE MLDG. CMPD. PER ZZ-R-765.

| | |
|-------------------------------|---------|
| SEALING PLUG | 11 |
| BUSHING | 10 |
| FERRULE | 9 |
| DIELECTRIC, OUTER, FRONT | 8 |
| DIELECTRIC | 7 |
| CONTACT, INTERMEDIATE, SIZE 8 | 6 |
| SHELL, OUTER, PIN | 5 |
| CONTACT, CENTER, PIN | 4 |
| SHELL, CRIMP END | 3 |
| FERRULE | 2 |
| DIELECTRIC | 1 |
| DESCRIPTION | ITEM NO |

| | | |
|--|---|--|
| DO NOT SCALE PRINT. UNLESS SPECIFIED DIMENSIONS IN INCHES [mm] TOLERANCES ON: 2 PLC DEC ± - 3 PLC DEC ± .005 [0.13] ANGLES ± - | DR 7-26-93 C.C. THOMAS CHK 8-11-93 C. SHELLY APPD 8-11-93 C. SHELLY | AMP Incorporated Harrisburg, PA 17105-3608 |
| MATERIAL SEE CALLOUTS | APPD 8-11-93 C.C. THOMAS | |
| FINISH SEE CALLOUTS | PRODUCT SPEC 108-12092 APPLICATION SPEC 114-12010 | NAME PIN, SIZE 8, KIT, ARINC-TWINAX |
| WEIGHT - | SCALE 10:1 | SIZE D CAGE CODE 00779 DRAWING NO G-222190 SHEET 1 OF 1 |

THIS DRAWING IS A CONTROLLED DOCUMENT FOR AMP INCORPORATED. IT IS SUBJECT TO CHANGE AND THE CONTROLLING ENGINEERING ORGANIZATION SHOULD BE CONTACTED FOR THE LATEST REVISION.

单击下面可查看定价，库存，交付和生命周期等信息

[>>TE Connectivity\(泰科\)](#)