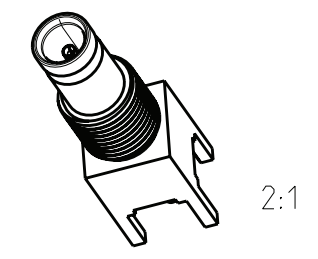
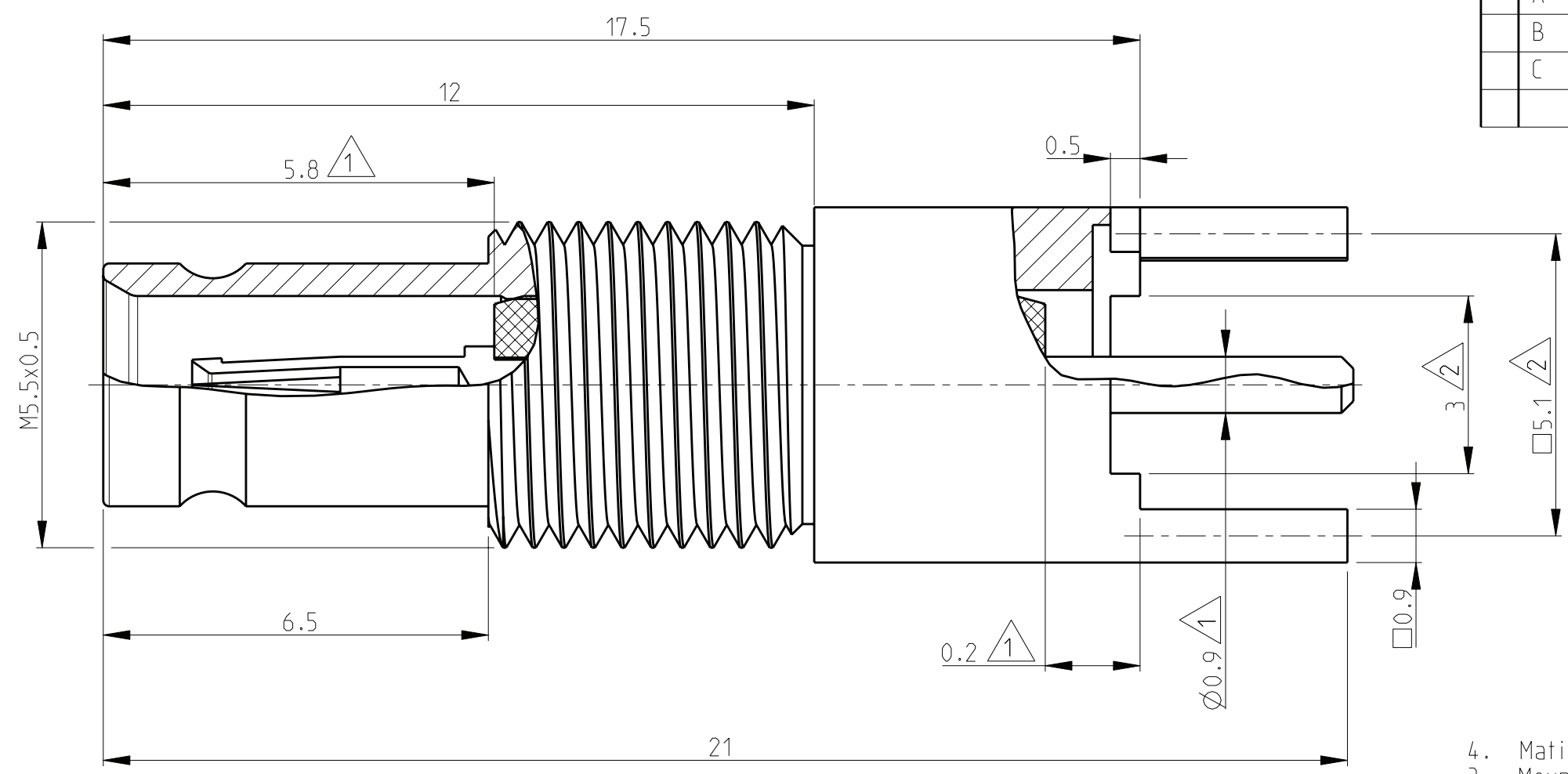
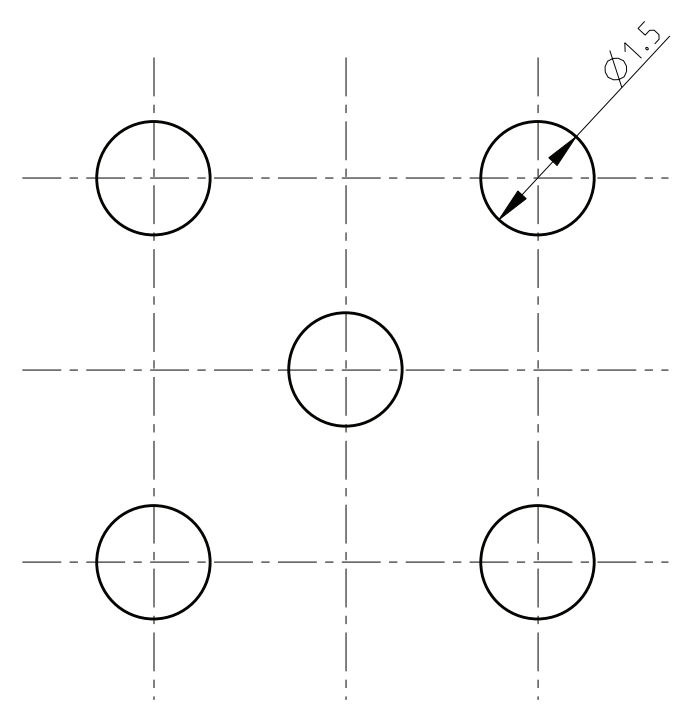


THIS DRAWING IS UNPUBLISHED. RELEASED FOR PUBLICATION 2000
 © COPYRIGHT 2000 BY TYCO ELECTRONICS CORPORATION. ALL RIGHTS RESERVED.

LOC	DIST	REVISIONS			
P	LTR	DESCRIPTION	DATE	DWN	APVD
IS	-	A	-	5APR2001	CM KM
		B	Update drawing	18.07.2006	AM DB
		C	ECR-07-018918	13AUG07	AN DB



Recommended PCB layout
Pitch 2.54 mm



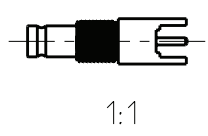
- 4. Mating face according to DIN 47297 and CECC 22230
- 3. Mounting requirements : PCB with Pitch 2.54
Thickness of PCB : ± 3mm
Diameter of bores : 1.5 mm

△2 Nominal dimension
 △1 Minimum dimension

All dimensions are max dimensions unless otherwise specified

V23614-A1027-J2	8-1393670-4	Dielectric	PTFE	-
		Outer Con.	Brass	min. 0.1µm Au over min. 2µm NiP
		Center Con.	CuBe/Bronze	min. 0.1µm Au over min. 2µm NiP
Old Nr	TE Nr	Description	Material	Plating

<small>THIS DRAWING IS A CONTROLLED DOCUMENT FOR TYCO ELECTRONICS CORPORATION IT IS SUBJECT TO CHANGE AND THE CONTROLLING ENGINEERING ORGANIZATION SHOULD BE CONTACTED FOR THE LATEST REVISION.</small>		DWN MOROBE 02APR2001 CHK MATTHEEUS 4APR2001 APVD BOZZER 5APR2001		Tyco Electronics CH - Switzerland - Lugano	
DIMENSIONS: mm 		TOLERANCES UNLESS OTHERWISE SPECIFIED: 0 PLC ± 1 PLC ± 2 PLC ± 3 PLC ± 4 PLC ± ANGLES ±		NAME BULKHEAD JACK WITH PCB CONNECTION 1.0/2.3 75 Ohm	
MATERIAL - FINISH -		PRODUCT SPEC 108-71032 APPLICATION SPEC - WEIGHT -		SIZE A3 CAGE CODE 00779 DRAWING NO C-8-1393670-4 RESTRICTED TO -	
				SCALE 10:1 SHEET 1 OF 1 REV C	



单击下面可查看定价，库存，交付和生命周期等信息

[>>TE Connectivity\(泰科\)](#)