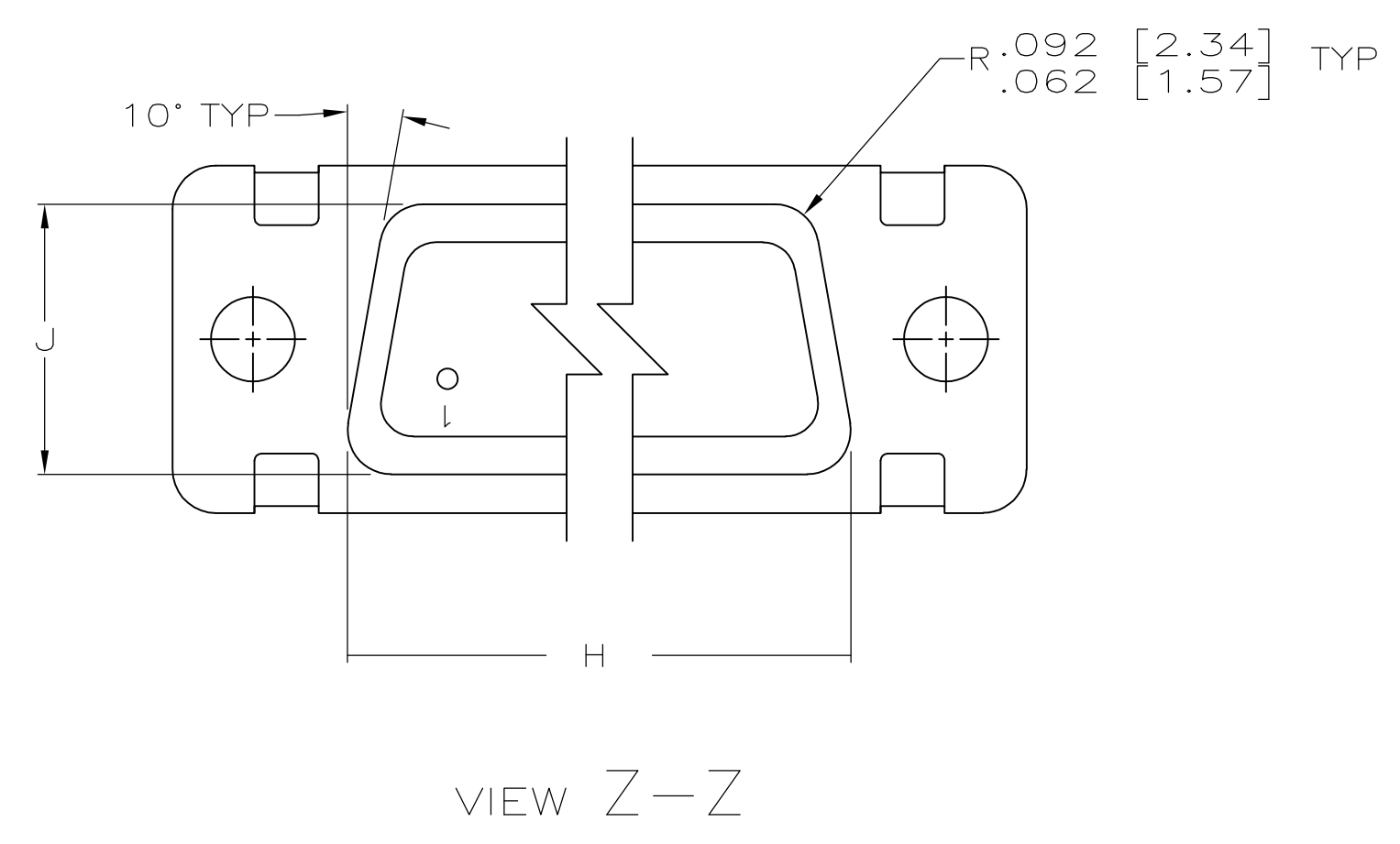
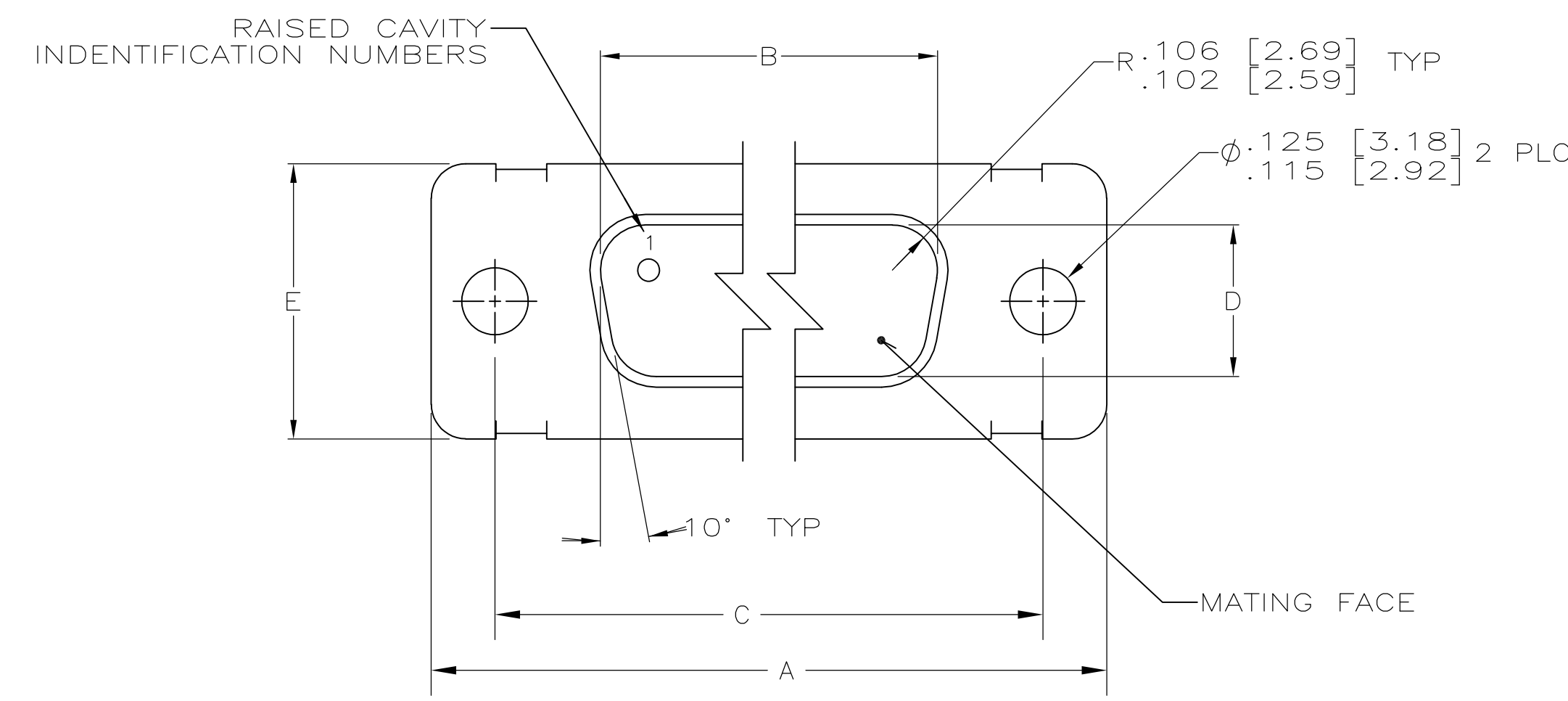
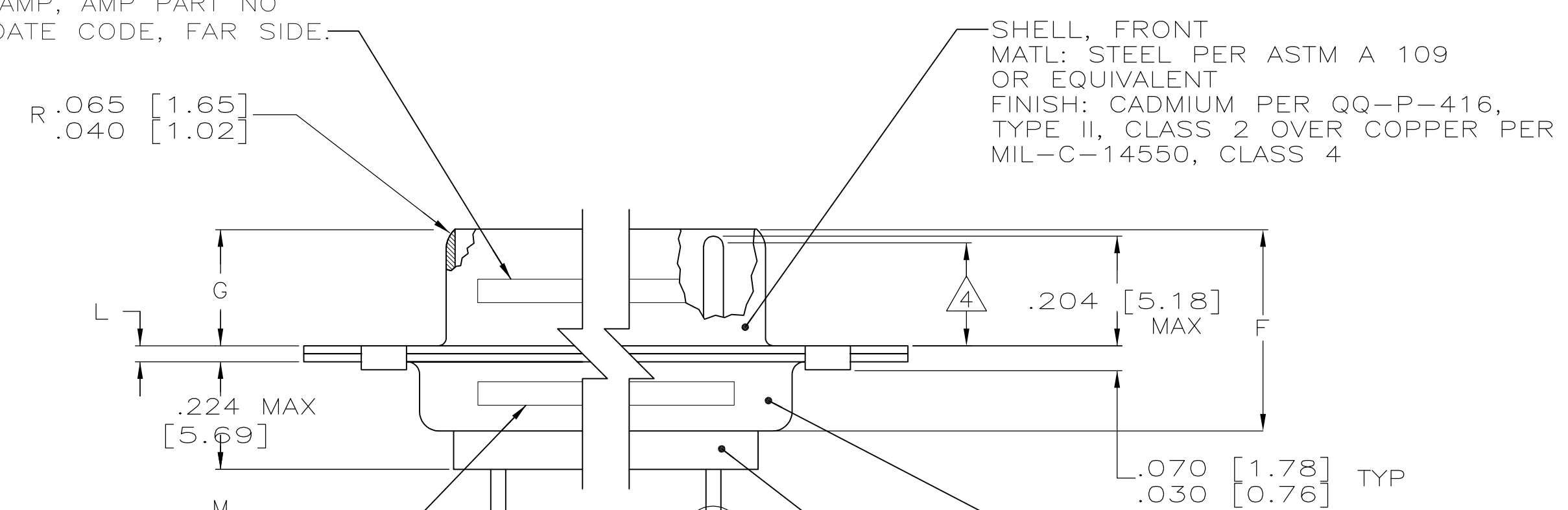


REVISONS		DATE	BY	APP'D
F	REV PER ECO-07-017102	31AUG07	PY	BW



3 MARK AMP, AMP PART NO AND DATE CODE, FAR SIDE.



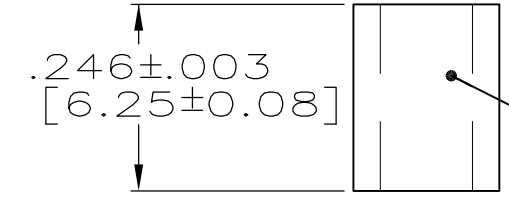
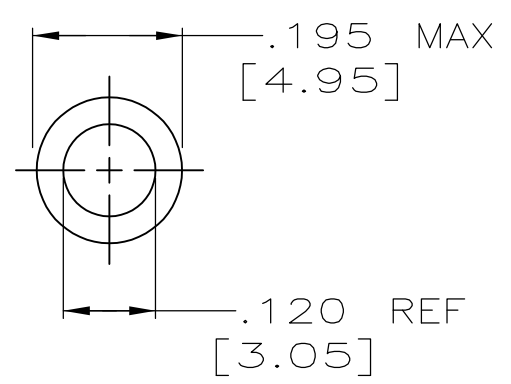
SHELL, FRONT  
MATL: STEEL PER ASTM A 109 OR EQUIVALENT  
FINISH: CADMIUM PER QQ-P-416, TYPE II, CLASS 2 OVER COPPER PER MIL-C-14550, CLASS 4

SHELL, REAR  
MATL: STEEL PER ASTM A 109 OR EQUIVALENT  
FINISH: CADMIUM PER QQ-P-416, TYPE II, CLASS 2 OVER COPPER PER MIL-C-14550, CLASS 4

INSERT ASSEMBLY  
MATL: POLYPHENYLENE SULFIDE (PPS) PER MIL-M-24519, TYPE: GST-40F OR POLYESTER PER MIL-M-24519, TYPE: GLCP-30F OR PPS PER ASTM D4067, COLOR, BLACK

CONTACT  
MATL: BRASS ALLOY PER ASTM B 16, OR BERYLLIUM COPPER 173, 1/2 HARD PER ASTM-B-197.  
FINISH: GOLD PER MIL-G-45204, TYPE II, GRADE C, CLASS 1 OVER NICKEL PER QQ-N-290, .000050 MIN THICK

3 MARK MILITARY PART NO, FAR SIDE



SPACER  
MATL: ALUMINUM ALLOY PER ASTM B 211  
FINISH: IRIDITE PER MIL-C-5541, CLASS 3, COLOR GOLD

- 1 SEE SHEET 2 FOR RECOMMENDED P.C. BOARD LAYOUT. TRUE POSITION TOLERANCE FOR P.C. BOARD LAYOUT IS .010 [0.25] AT MAX MATERIAL CONDITION. SUGGESTED BOARD THICKNESS IS .094 [2.39]
- 2 THE CONNECTORS DESCRIBED IN THIS DOCUMENT MEET THE REQUIREMENTS OF MIL-C-24308 AND MATE WITH ANY RECEPTACLE CONNECTOR WITH SAME INSERT ARRANGEMENT.
- 3 MARK WITH .047 [1.19]-.062 [1.57] HIGH CHARACTERS. FAR SIDE REFERS TO THE WIDE SIDE OF THE KEYSTONE. NEAR SIDE REFERS TO THE NARROW SIDE OF THE KEYSTONE. IF THE REAR SHELL IS TOO SMALL FOR THE ENTIRE MILITARY PART NUMBER, MARKING SHALL BE LOCATED AS FOLLOWS:
  - A. "M24308" ON FRONT SHELL, FAR SIDE.
  - B. SLASH SHEET AND DASH NUMBER ON REAR SHELL, FAR SIDE.
  - C. "AMP" AND DATE CODE ON FRONT SHELL, NEAR SIDE.
  - D. AMP PART NUMBER ON REAR SHELL, NEAR SIDE.

IF THE FRONT SHELL IS TOO SMALL FOR "AMP", AMP PART NUMBER AND DATE CODE, THEN SPLIT AS FOLLOWS:

  - A. AMP PART NUMBER ON REAR SHELL, NEAR SIDE.
  - B. "AMP" AND DATE CODE ON FRONT SHELL, NEAR SIDE.
  - C. MILITARY PART NUMBER ON REAR SHELL, FAR SIDE.
- 4 REQUIREMENT FOR FULL PIN DIAMETER EXTENSION:
  - .159 [4.04] MIN, SHELL SIZES 1 AND 2.
  - .150 [3.81] MIN, SHELL SIZES 3, 4, AND 5.
- 5 SOLDER DIP PER MIL-STD-2000 COMPOSITION Sn63 CONFORMING TO QQ-S-571. COVERAGE SHALL BE COMPLETE TO A DISTANCE .020 [0.51] MAX FROM INSERT ASSEMBLY.
6. THE SOLDER DIP PROCESS IS PERFORMED SUBSEQUENT TO THE COMPLETION OF PRODUCTION OF THE MILITARY QUALIFIED CONNECTOR. DIMENSIONS APPLY PRIOR TO SOLDER DIPPING.
- 7 SPACERS (QTY 2) ARE SUPPLIED WITH CONNECTORS (NOT ATTACHED TO THE CONNECTOR).
8. DIMENSIONS AND TOLERANCES PER ANSI Y14.5M-1982.
9. THIS DRAWING SHALL BE INTERPRETED IN ACCORDANCE WITH APPLICABLE STANDARDS LISTED IN MIL-STD-100.

N	M	L	J	H	G	F	E	D	C	B	A	INSERT ARRANGEMENT	NO OF POS	SHELL SIZE	MILITARY P/N ON CONNECTOR	AMP P/N ON CONNECTOR	PART NUMBER
		.049 [1.24] .029 [0.74]	.544 [13.82] .524 [13.31]	2.188-55.58 2.282-57.96 2.262 [57.45]	.236 [5.99] .224 [5.69]	.436 [11.07] .416 [10.57]	.620 [15.75] .590 [14.99]	.446 [11.33] .436 [11.07]	2.411 [61.24] 2.401 [60.99]	2.084 [52.93] 2.074 [52.68]	2.650 [67.31] 2.620 [66.55]	MS18277-1	50	5	M24308/24-17F	1218126-5	1-1218126-0
		.049 [1.24] .029 [0.74]	.432 [10.97] .412 [10.46]	1.635-41.53 1.615 [41.02]	.236 [5.99] .224 [5.69]	.436 [11.07] .416 [10.57]	.509 [12.93] .479 [12.17]	.334 [8.48] .324 [8.23]	2.505 [63.63] 2.495 [63.37]	2.187 [55.55] 2.177 [55.30]	2.744 [69.70] 2.714 [68.94]	MS18276-1	37	4	M24308/24-16F	1218126-4	1218126-9
		.040 [1.02] .020 [0.51]	.432 [10.97] .412 [10.46]	1.635-41.53 1.615 [41.02]	.238 [6.05] .229 [5.82]	.432 [10.97] .412 [10.46]	.509 [12.93] .479 [12.17]	.334 [8.48] .324 [8.23]	1.857 [47.17] 1.847 [46.91]	1.539 [39.09] 1.529 [38.84]	2.103 [53.42] 2.073 [52.65]	MS18275-1	25	3	M24308/24-15F	1218126-3	1218126-8
		.040 [1.02] .020 [0.51]	.432 [10.97] .412 [10.46]	1.093-27.76 1.073 [27.25]	.238 [6.05] .229 [5.82]	.432 [10.97] .412 [10.46]	.509 [12.93] .479 [12.17]	.334 [8.48] .324 [8.23]	1.317 [33.45] 1.307 [33.20]	.999 [25.37] .989 [25.12]	1.556 [39.52] 1.526 [38.76]	MS18274-1	15	2	M24308/24-14F	1218126-2	1218126-7
		.040 [1.02] .020 [0.51]	.432 [10.97] .412 [10.46]	.769 [19.53] .749 [19.02]	.238 [6.05] .229 [5.82]	.432 [10.97] .412 [10.46]	.509 [12.93] .479 [12.17]	.334 [8.48] .324 [8.23]	.989 [25.12] .979 [24.87]	.671 [17.04] .661 [16.79]	1.228 [31.19] 1.198 [30.43]	MS18273-1	9	1	M24308/24-13F	1218126-1	1218126-6
		.049 [1.24] .029 [0.74]	.544 [13.82] .524 [13.31]	2.188-55.58 2.282-57.96 2.262 [57.45]	.236 [5.99] .224 [5.69]	.436 [11.07] .416 [10.57]	.620 [15.75] .590 [14.99]	.446 [11.33] .436 [11.07]	2.411 [61.24] 2.401 [60.99]	2.084 [52.93] 2.074 [52.68]	2.650 [67.31] 2.620 [66.55]	MS18277-1	50	5	M24308/24-17F	1218126-5	1218126-5
		.049 [1.24] .029 [0.74]	.432 [10.97] .412 [10.46]	1.635-41.53 1.615 [41.02]	.236 [5.99] .224 [5.69]	.436 [11.07] .416 [10.57]	.509 [12.93] .479 [12.17]	.334 [8.48] .324 [8.23]	2.505 [63.63] 2.495 [63.37]	2.187 [55.55] 2.177 [55.30]	2.744 [69.70] 2.714 [68.94]	MS18276-1	37	4	M24308/24-16F	1218126-4	1218126-4
		.040 [1.02] .020 [0.51]	.432 [10.97] .412 [10.46]	1.635-41.53 1.615 [41.02]	.238 [6.05] .229 [5.82]	.432 [10.97] .412 [10.46]	.509 [12.93] .479 [12.17]	.334 [8.48] .324 [8.23]	1.857 [47.17] 1.847 [46.91]	1.539 [39.09] 1.529 [38.84]	2.103 [53.42] 2.073 [52.65]	MS18275-1	25	3	M24308/24-15F	1218126-3	1218126-3
		.040 [1.02] .020 [0.51]	.432 [10.97] .412 [10.46]	1.093-27.76 1.073 [27.25]	.238 [6.05] .229 [5.82]	.432 [10.97] .412 [10.46]	.509 [12.93] .479 [12.17]	.334 [8.48] .324 [8.23]	1.317 [33.45] 1.307 [33.20]	.999 [25.37] .989 [25.12]	1.556 [39.52] 1.526 [38.76]	MS18274-1	15	2	M24308/24-14F	1218126-2	1218126-2
		.040 [1.02] .020 [0.51]	.432 [10.97] .412 [10.46]	.769 [19.53] .749 [19.02]	.238 [6.05] .229 [5.82]	.432 [10.97] .412 [10.46]	.509 [12.93] .479 [12.17]	.334 [8.48] .324 [8.23]	.989 [25.12] .979 [24.87]	.671 [17.04] .661 [16.79]	1.228 [31.19] 1.198 [30.43]	MS18273-1	9	1	M24308/24-13F	1218126-1	1218126-1

THIS DRAWING IS A CONTROLLED DOCUMENT.

DIMENSIONS: INCHES	TOLERANCES UNLESS OTHERWISE SPECIFIED:	0 PLC ± -	1 PLC ± -	2 PLC ± -	3 PLC ± -	4 PLC ± -	ANGLES ± -
--------------------	--	-----------	-----------	-----------	-----------	-----------	------------

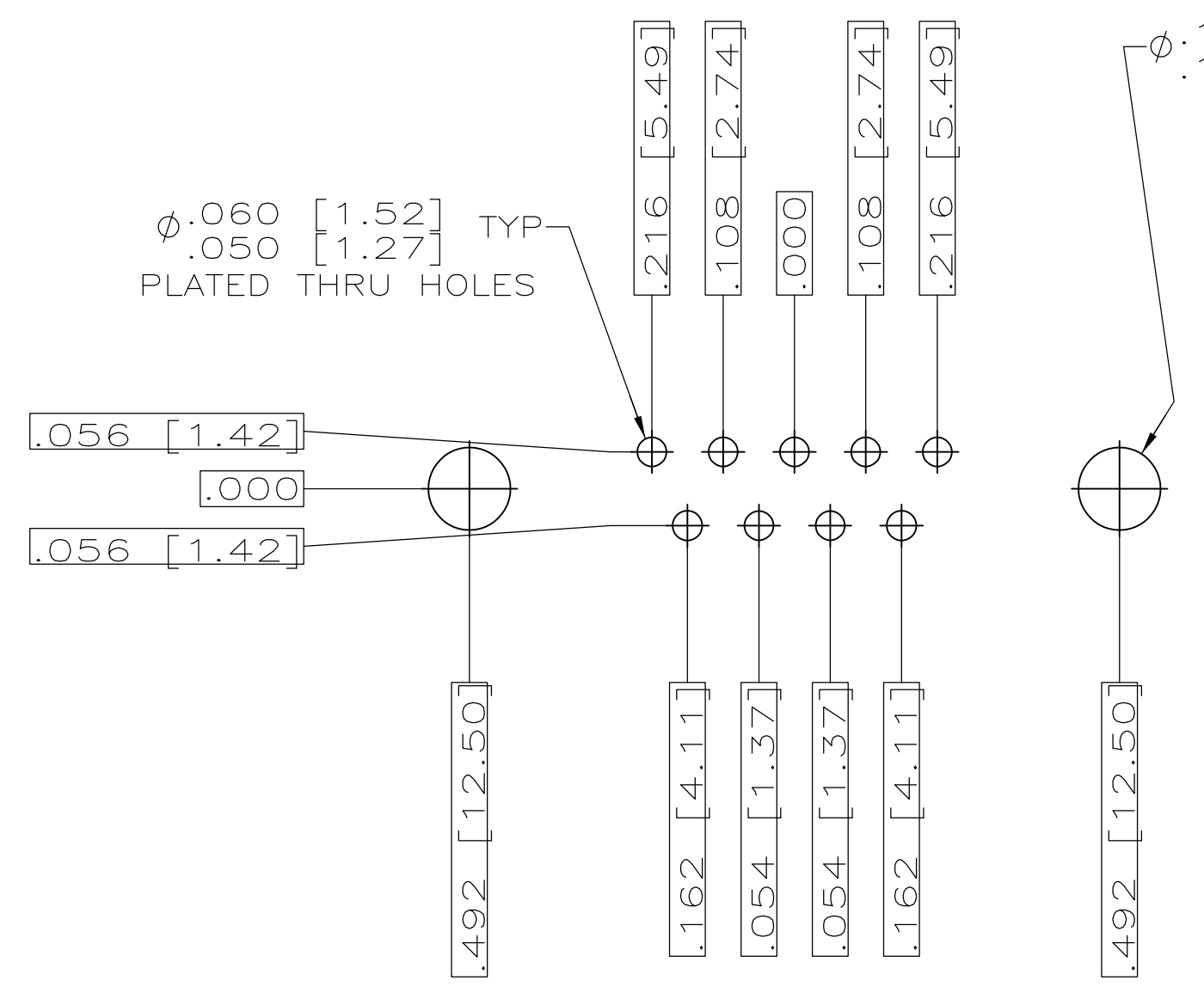
MATERIAL: SEE CALLOUTS FINISH: SEE CALLOUTS

APPROVED: G. OYER 30DEC97

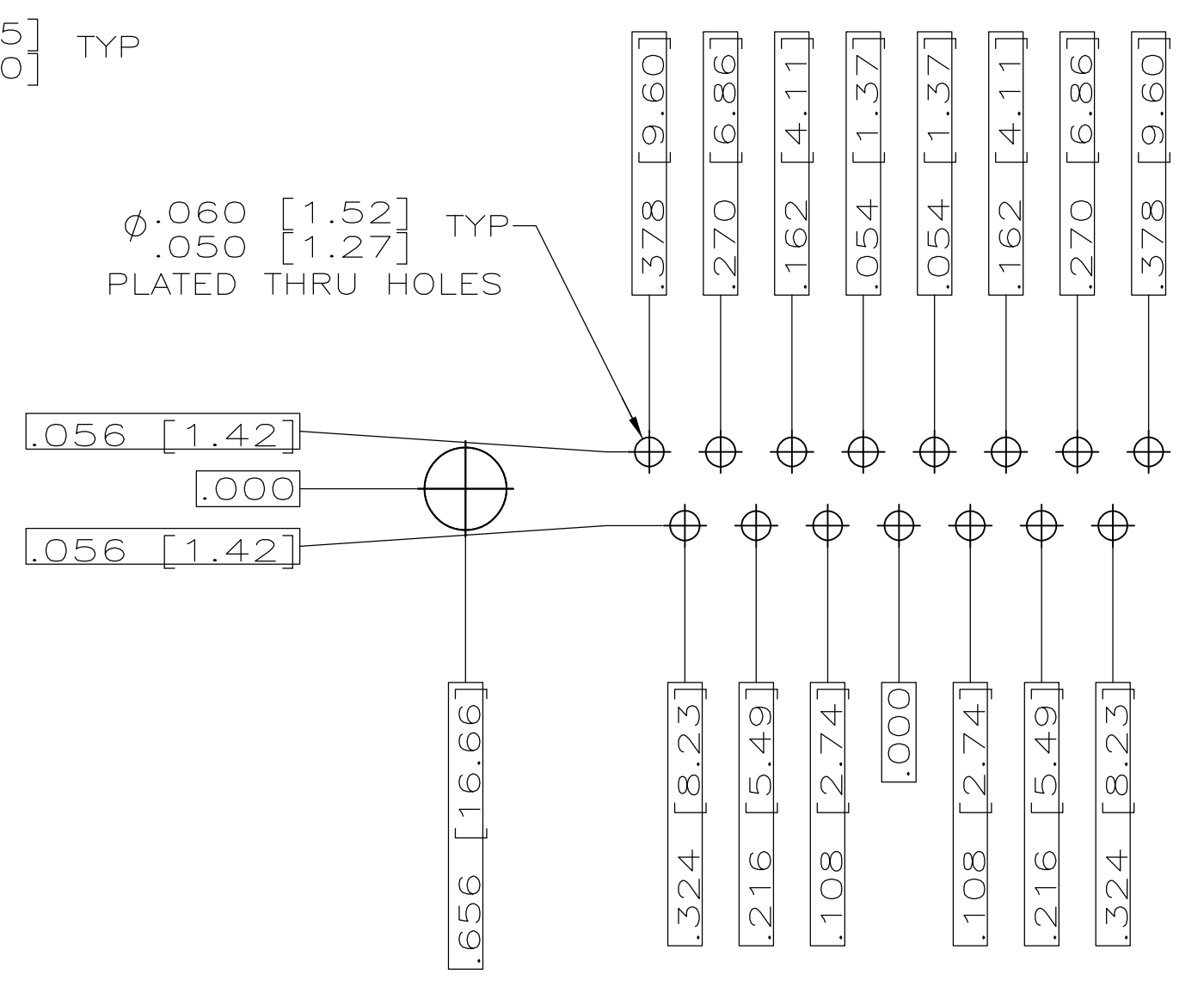
NAME: AMPLIMITE PLUG ASSY, LOW PROFILE SIZE 20 POSTED CONTACTS, .040 DIA SHORT POST SERIES 109, SHELL SIZES 1 THRU 5

SIZE: A1 CASE CODE: 00779 DRAWING NO: 1218126 RESTRICTED TO: -

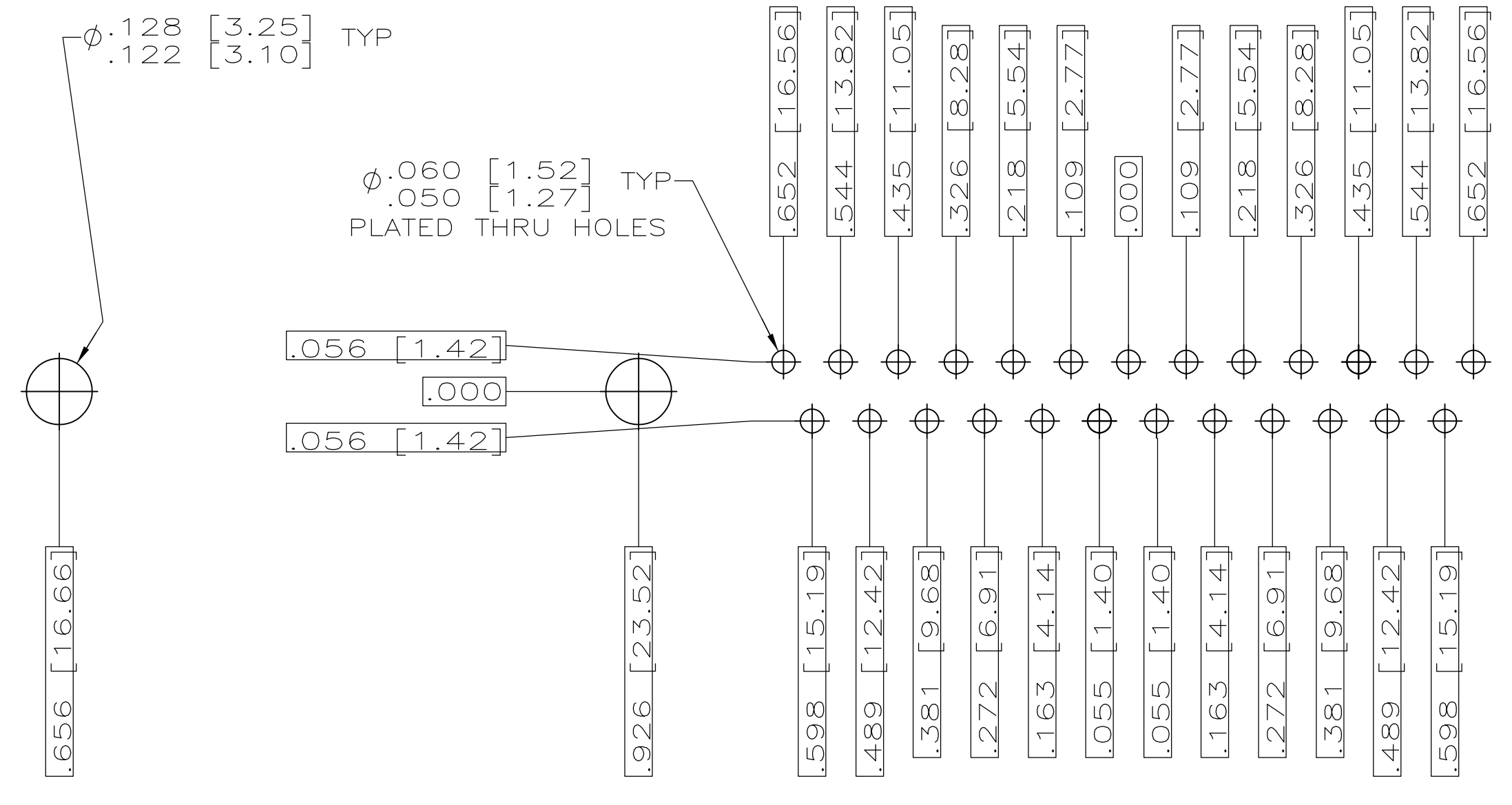
CUSTOMER DRAWING SCALE: 4:1 SHEET: 1 OF 2 REV: F



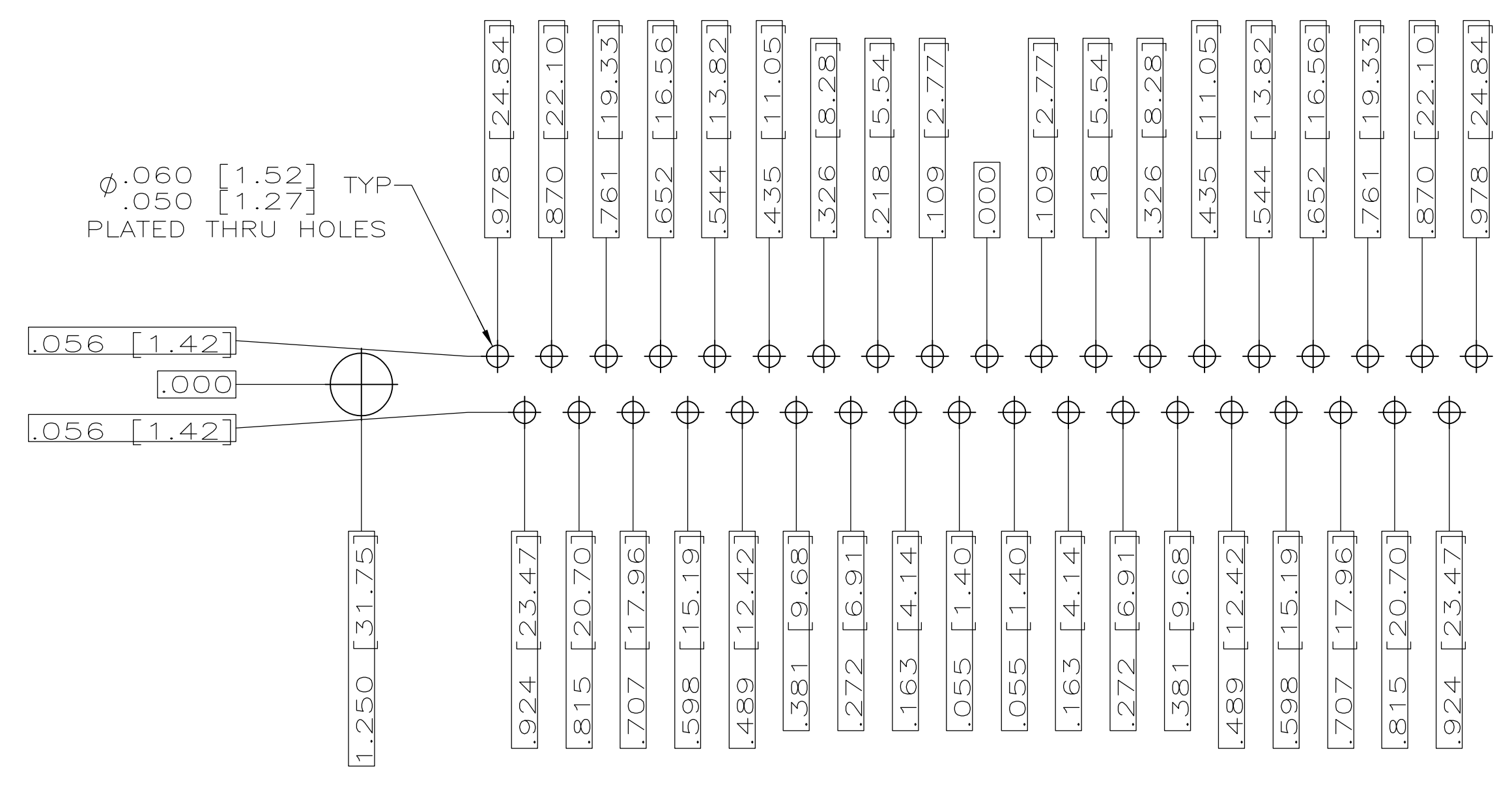
RECOMMENDED P.C. BOARD LAYOUT  
SHELL SIZE 1 (9 POSITION) ⚠



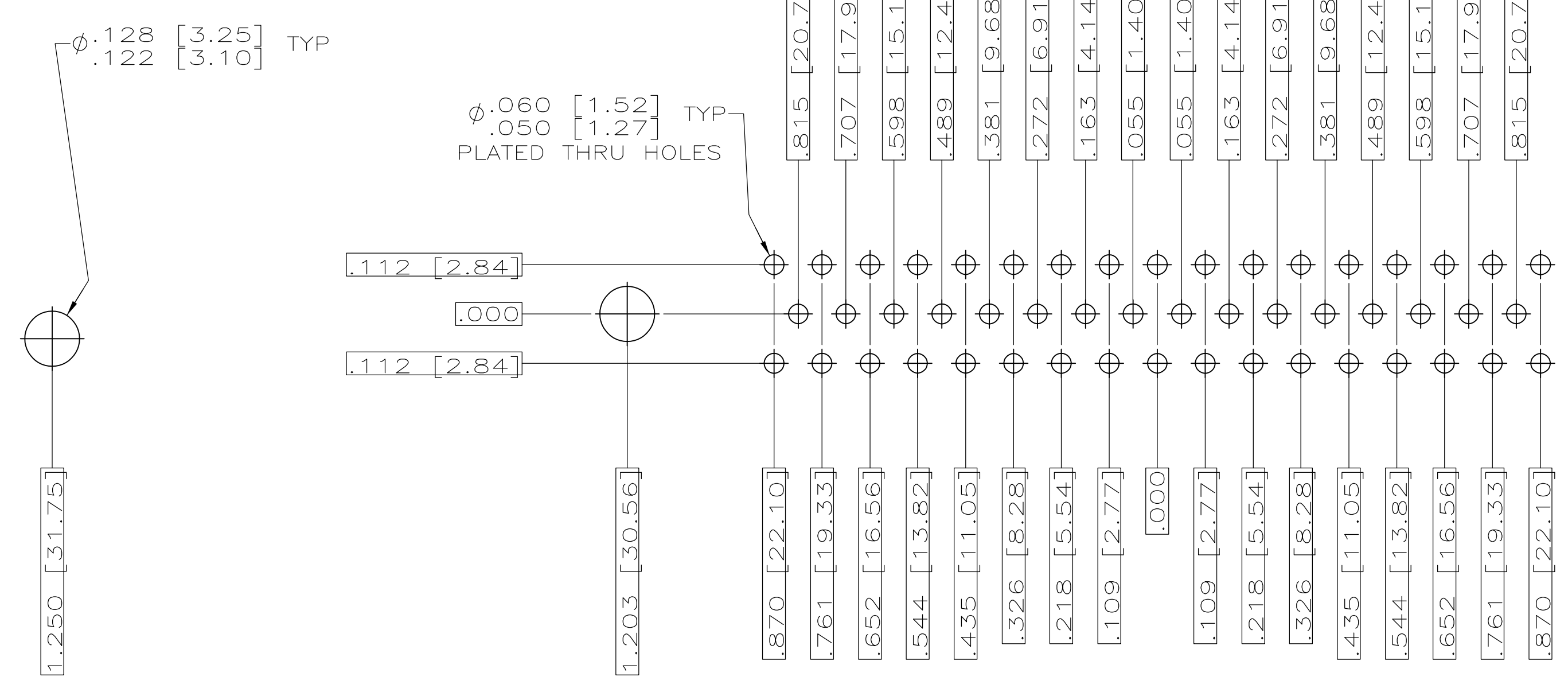
RECOMMENDED P.C. BOARD LAYOUT  
SHELL SIZE 2 (15 POSITION) ⚠



RECOMMENDED P.C. BOARD LAYOUT  
SHELL SIZE 3 (25 POSITION) ⚠



RECOMMENDED P.C. BOARD LAYOUT  
SHELL SIZE 4 (37 POSITION) ⚠



RECOMMENDED P.C. BOARD LAYOUT  
SHELL SIZE 5 (50 POSITION) ⚠

THIS DRAWING IS A CONTROLLED DOCUMENT.		DIN P. YEAGER 30DEC97	Tyco Electronics Tyco Electronics Corporation Harrisburg, PA 17105-3608
DIMENSIONS: INCHES		CHK: G. OVER 30DEC97	
TOLERANCES UNLESS OTHERWISE SPECIFIED:		NAME	AMPLIMITE PLUG ASSY, LOW PROFILE SIZE 20 POSTED P.C. BOARD CONTACTS, .040 DIA SHORT POST, SERIES 109,
0 PLC ± .005		PRODUCT SPEC	
1 PLC ± .005		APPLICATION SPEC	SIZE: A1
2 PLC ± .005		WEIGHT	CAGE CODE: 00779
3 PLC ± .005		CUSTOMER DRAWING	DRAWING NO: 1218126
4 PLC ± .005		SCALE: 4:1	SHEET 2 OF 2
FINISH		RESTRICTED TO	REV F

单击下面可查看定价，库存，交付和生命周期等信息

[>>TE Connectivity\(泰科\)](#)