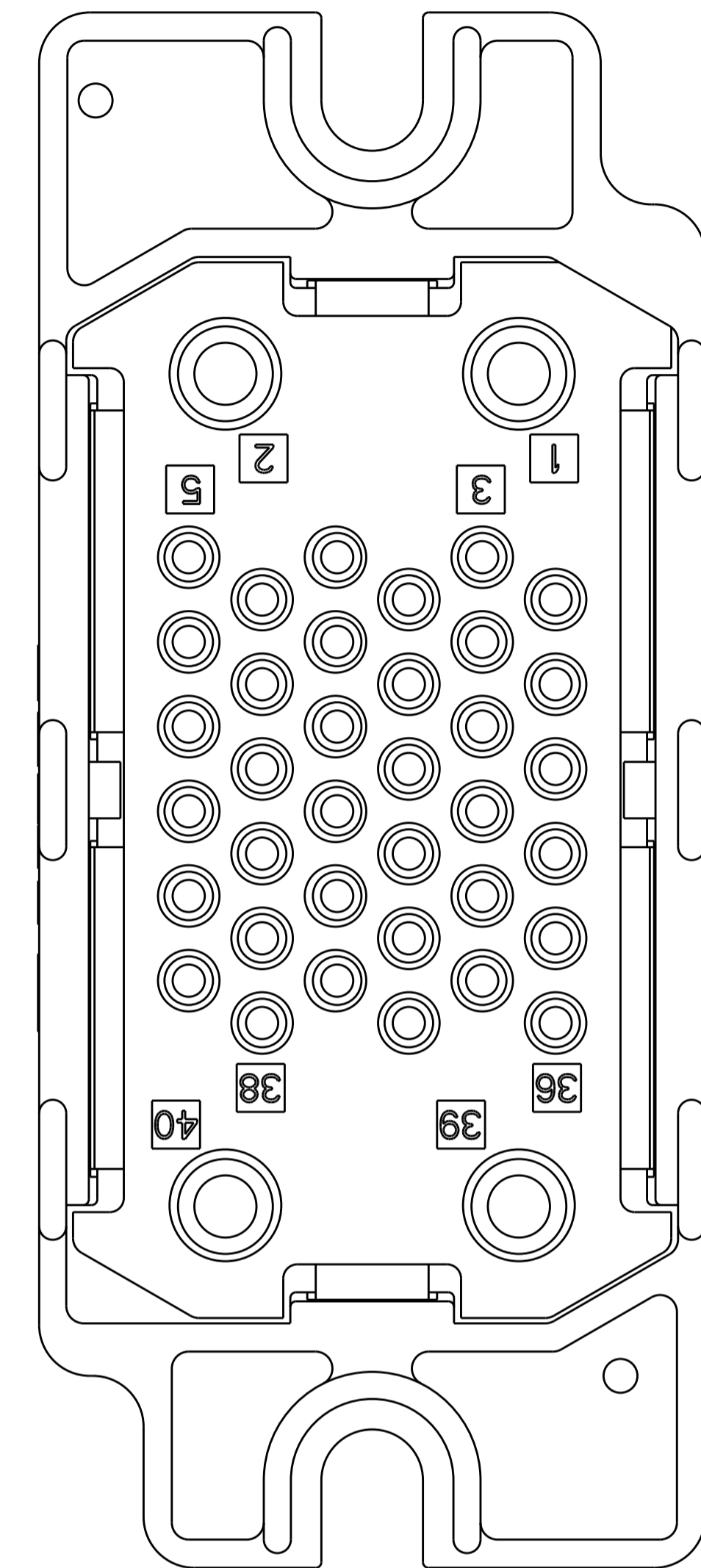
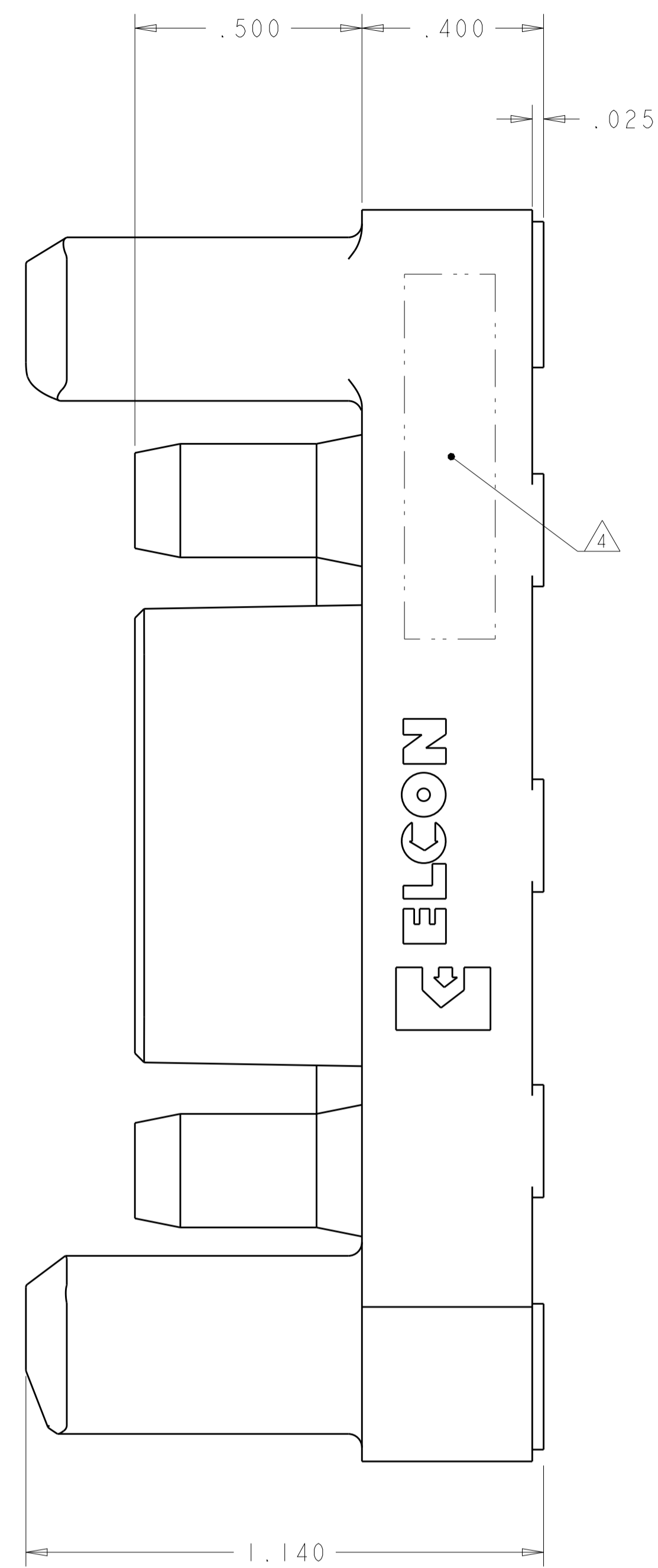
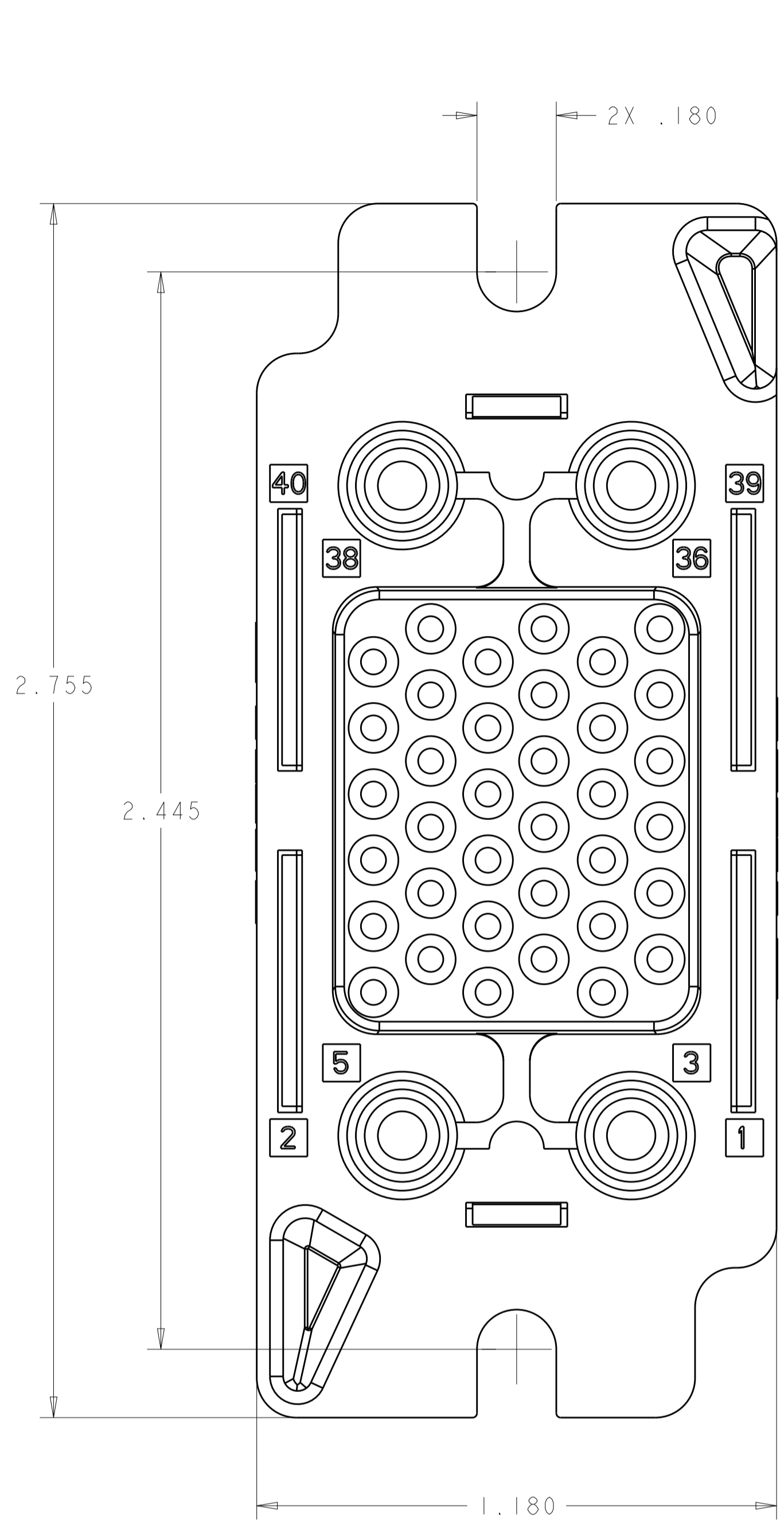


REVISONS		DATE	DWN	APVD
P	LTH	DESCRIPTION		
A		RELEASED	09JUL2013	DO DO



REAR VIEW

SOCKET CONTACT (C)  
 SIZE #12

SOCKET CONTACT (B)  
 SIZE #20

SOCKET CONTACT (C)  
 SIZE #12

- PART NUMBER CHANGES AND OR DESIGN CHANGES AFFECTING THE INTERCHANGEABILITY REQUIRE PRIOR TYCO ELECTRONICS APPROVAL AND AUTHORIZATION BY REVISION TO THIS DRAWING.
- MATERIAL:  
 INSULATOR: THERMOPLASTIC, GLASS REINFORCED, UL 94V-0 FLAMMABILITY RATED, COLOR: BLACK  
 CONTACT: BRASS ROD ALLOY  
 CROWN BAND: BERYLLIUM COPPER  
 RETENTION CLIP: BERYLLIUM COPPER OR STAINLESS STEEL
- FINISH:  
 CONTACTS SIZE #12 : SILVER .000200 MIN. THK. OVER NICKEL .000050 MIN THK.  
 CONTACTS SIZE #20 : GOLD .000010 MIN. THK. OVER NICKEL .000050 MIN THK.  
 CROWN BAND: GOLD .000030 MIN. THK. OVER NICKEL .000040 MIN THK.

ITEMS PROVIDED TO THIS SPECIFICATION TO BE PERMANENTLY IDENTIFIED PER THE FOLLOWING IDENTIFIER:

TYCO ELECTRONICS P/N: XXXXXX-X  
 DATE CODE (e.g. 0216): YEAR 1 WEEK 1  
 XXXX

QTY	PART NUMBER	DESCRIPTION	ITEM
4	6648374-1	CONTACT, SOCKET, SIZE #12, PCB TAIL	C
36	1648382-1	CONTACT, SOCKET, SIZE #20, PCB TAIL	B
1	1648133-2	HOUSING, SOCKET, UNMARKED/NO LABEL	A
-1	PART NUMBER	DESCRIPTION	ITEM

THIS DRAWING IS A CONTROLLED DOCUMENT.

DIMENSIONS: INCHES

TOLERANCES UNLESS OTHERWISE SPECIFIED:

0 PLC	±
1 PLC	±.02
2 PLC	±.02
3 PLC	±.010
4 PLC	±
ANGLES	±.5

MATERIAL: - FINISH: -

WEIGHT: -

Customer Drawing

APVD: D. ORRIS 16OCT2012

CHK: D. ORRIS 16OCT2012

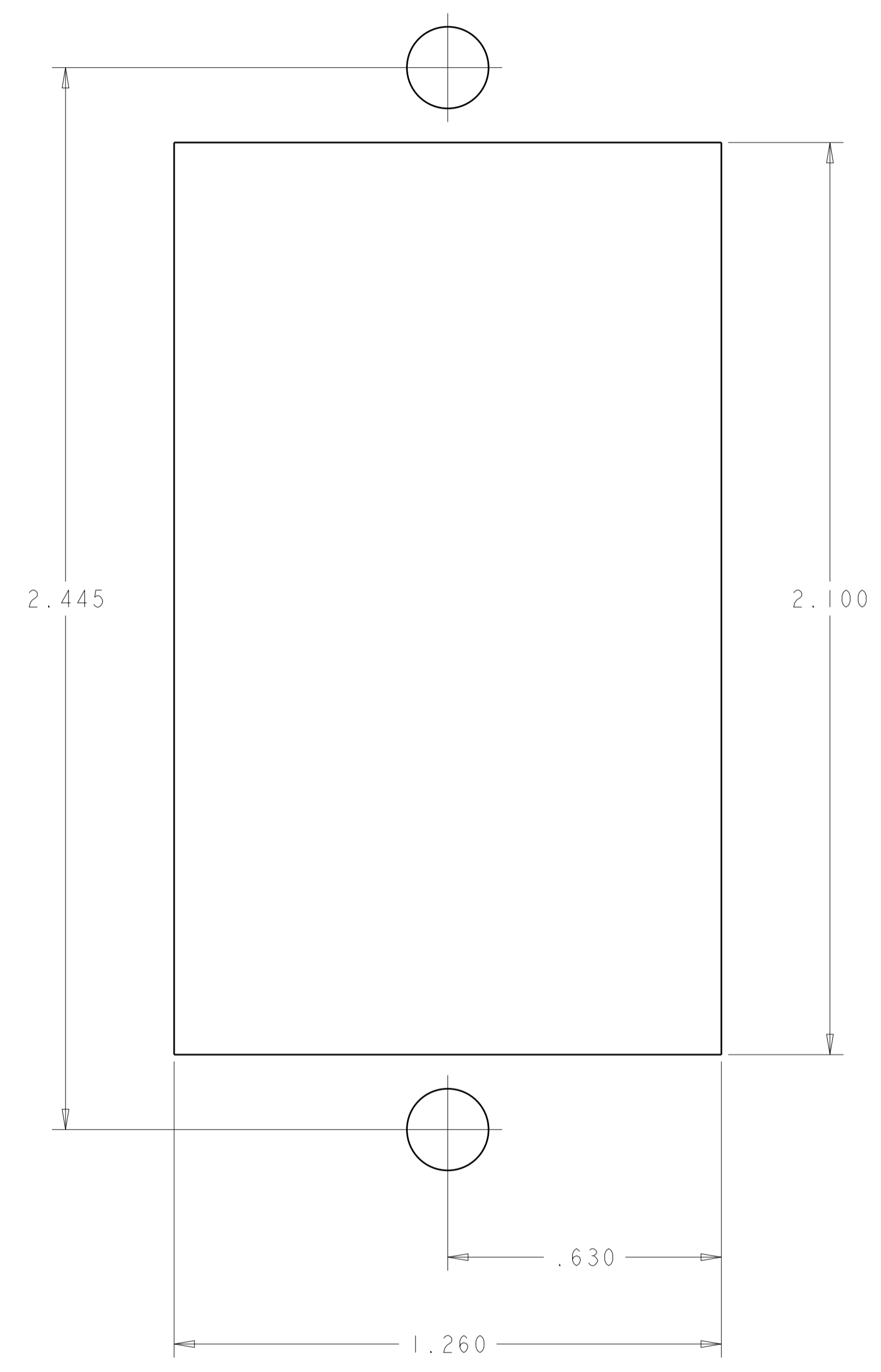
NAME: SOCKET CONNECTOR ASSEMBLY CRIMP SQUARE DRAWER

SIZE: A1 CAGE CODE: 00779 DRAWING NO: 2212082

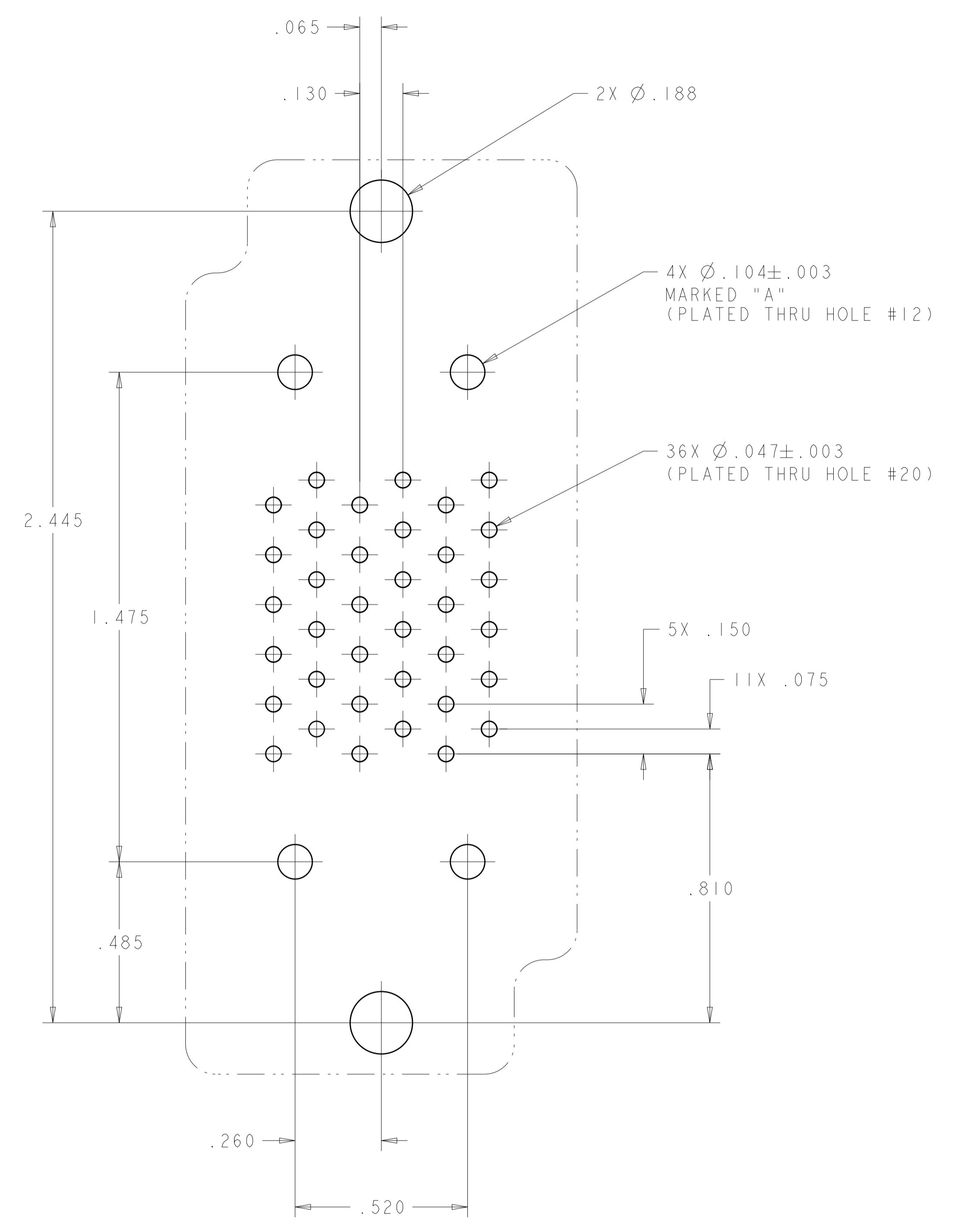
RESTRICTED TO: -

SCALE: 4:1 SHEET 1 OF 2 REV A

LOC		DIST		REVISIONS			
P	LTN	DESCRIPTION	DATE	DMN	APVD		
-	-	SEE SHEET 1	-	-	-	-	-



SUGGESTED PANEL LAYOUT  
 VIEWED FROM CONNECTOR MOUNTING SIDE



SUGGESTED PCB LAYOUT  
 VIEWED FROM CONNECTOR MOUNTING SIDE

THIS DRAWING IS A CONTROLLED DOCUMENT.		DMN D. ORRIS 16OCT2012	TE Connectivity	
DIMENSIONS: INCHES		CHK D. ORRIS 16OCT2012		
TOLERANCES UNLESS OTHERWISE SPECIFIED:		APVD D. ORRIS 16OCT2012	NAME SOCKET CONNECTOR ASSEMBLY	
0 PLC ±.02		PRODUCT SPEC	CRIMP	
2 PLC ±.02		APPLICATION SPEC	SQUARE DRAWER	
3 PLC ±.010		SIZE	A100779C=2212082	
4 PLC ±.010		RESTRICTED TO		
ANGLES ±.5		WEIGHT	Customer Drawing	
FINISH		SCALE	4:1	
MATERIAL		SHEET	2 OF 2	
		REV	A	

单击下面可查看定价，库存，交付和生命周期等信息

[>>TE Connectivity\(泰科\)](#)