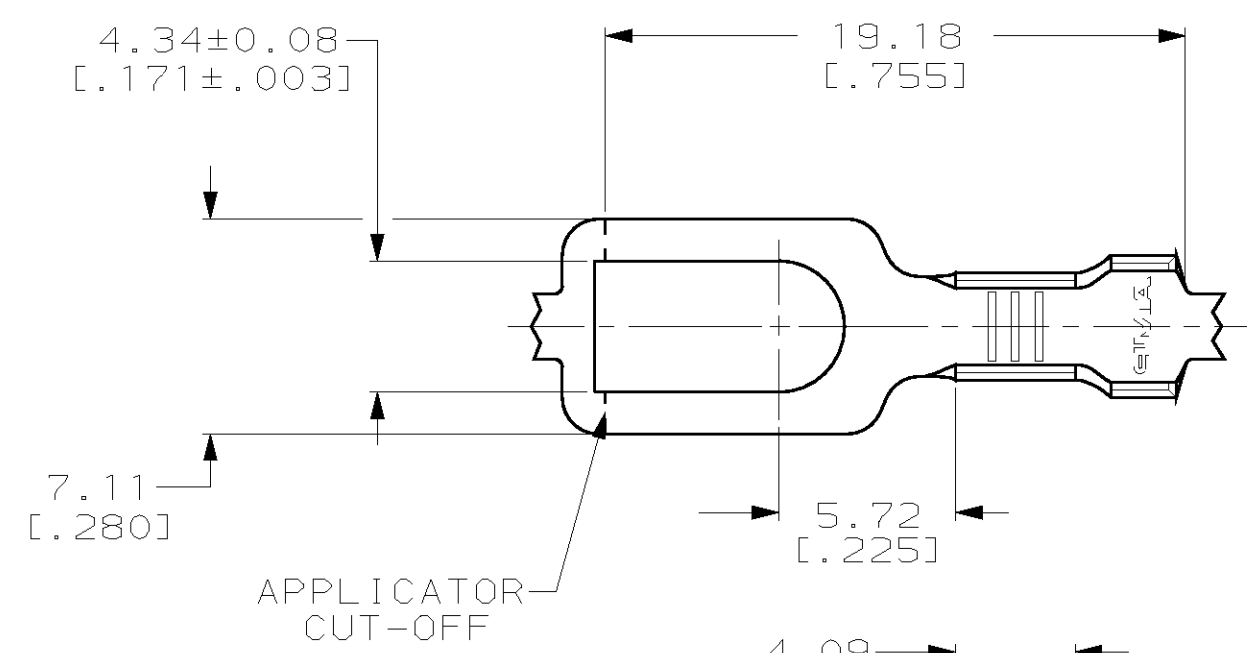
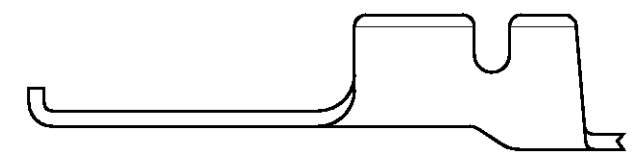
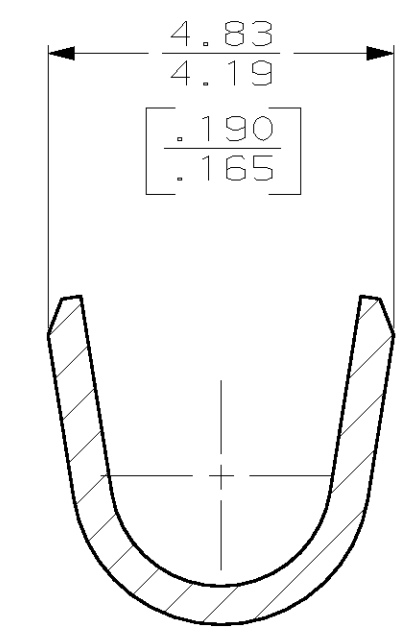
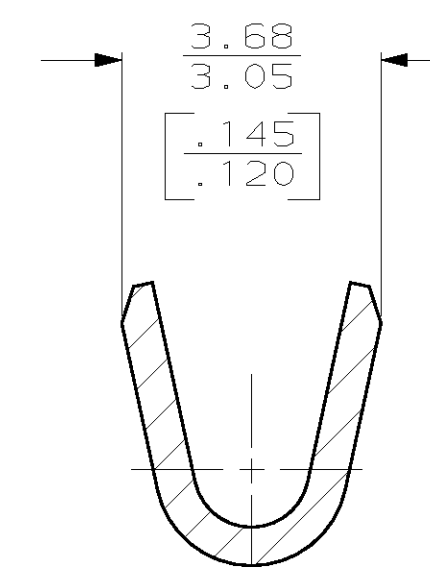
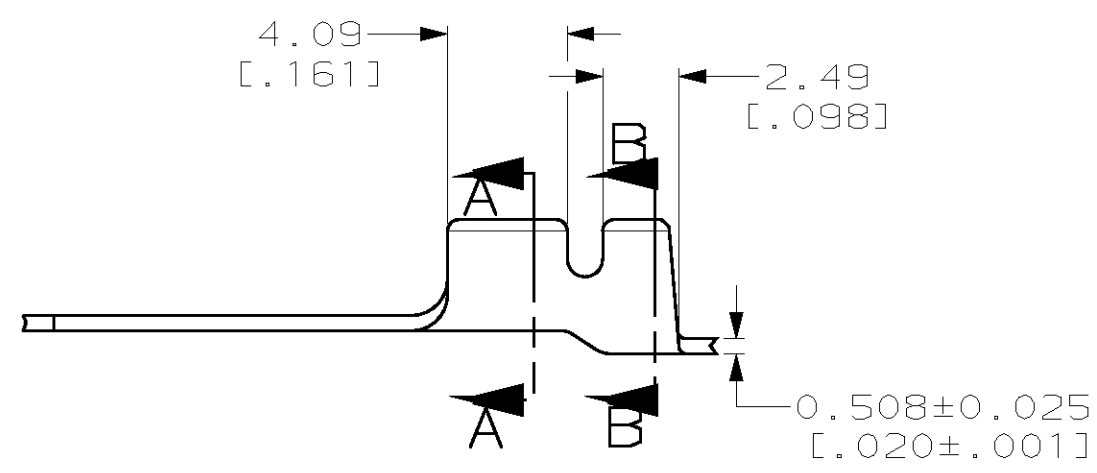


THIS DRAWING IS UNPUBLISHED. RELEASED FOR PUBLICATION ,19 .  
 © COPYRIGHT 19 BY AMP INCORPORATED. ALL RIGHTS RESERVED.

LOC	DIST	REVISIONS			
P	LTR	DESCRIPTION	DATE	DWN	APVD
AF	50	E	REDRAWN PER 0L10-0470-97	16/DEC/97	PF GY



1 CONTINUOUS STRIP ON REEL



FLANGED IN APPLICATOR

2.54-3.56 [.100-.140]	DIA	20-16 AWG	60390-1
INSULATION RANGE		WIRE RANGE	PART NUMBER

THIS DRAWING IS A CONTROLLED DOCUMENT.		DWN PHILLIP M FORTNEY 16/DEC/97	AMP Incorporated Harrisburg, PA 17105-3608	
DIMENSIONS: mm [INCHES]		CHK JEFF R RUTH 16/DEC/97	NAME <b>AMP</b> SPADE	
TOLERANCES UNLESS OTHERWISE SPECIFIED:		APVD GARY YETTER 16/DEC/97	RESTRICTED TO	
0 PLC ±-		PRODUCT SPEC	-	
1 PLC ±-		APPLICATION SPEC	-	
2 PLC ±0.25 [.010]		WEIGHT	-	
3 PLC ±-		SIZE CAGE CODE DRAWING NO		
4 PLC ±-		A3 00779 C- 60390		
ANGLES ±-		SCALE 4:1 SHEET 1 OF 1 REV E		
FINISH -		CUSTOMER DRAWING		

单击下面可查看定价，库存，交付和生命周期等信息

[>>TE Connectivity\(泰科\)](#)