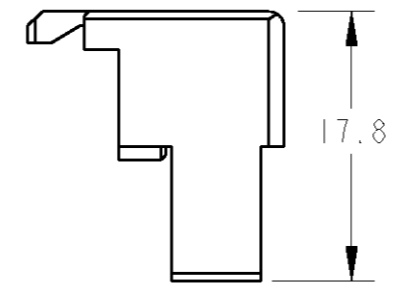
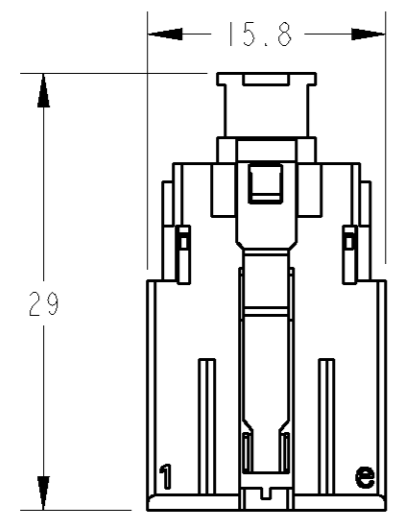
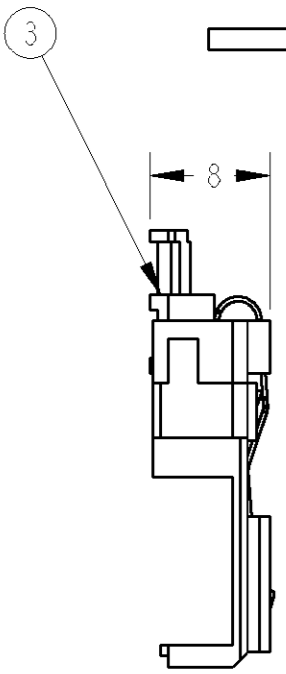
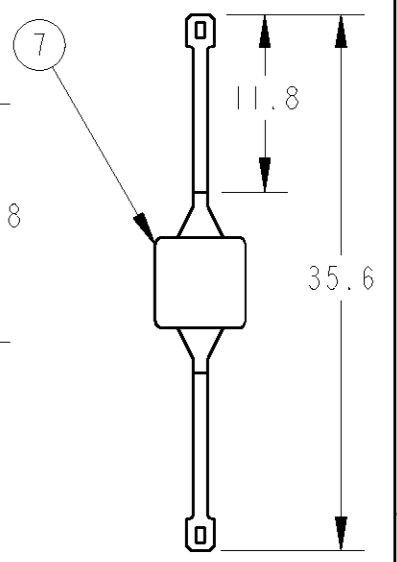
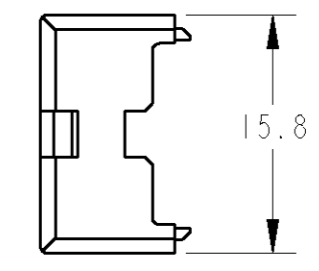
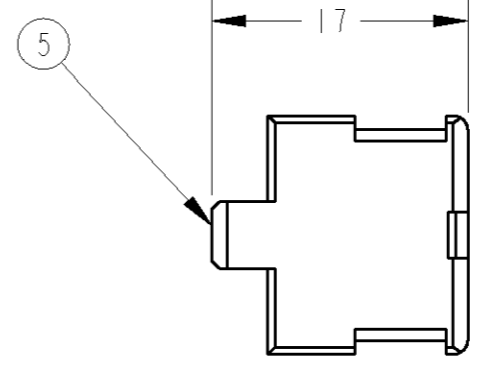
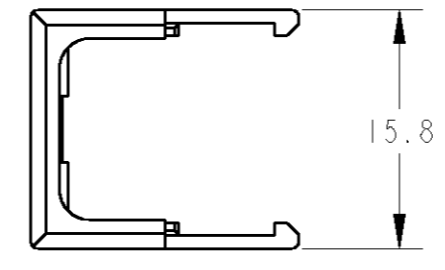
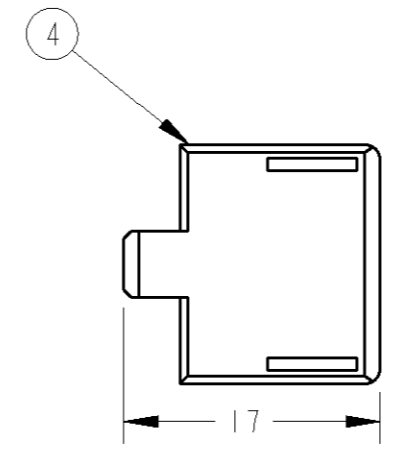
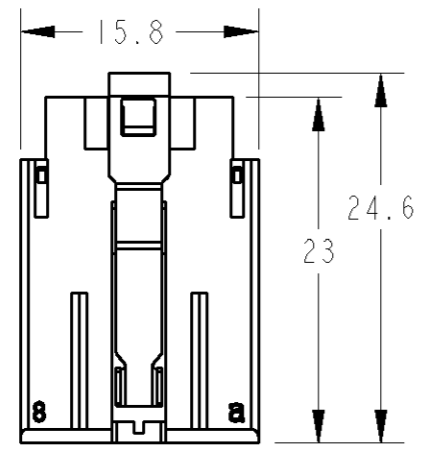
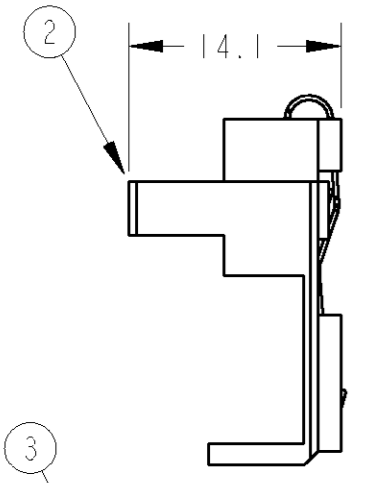
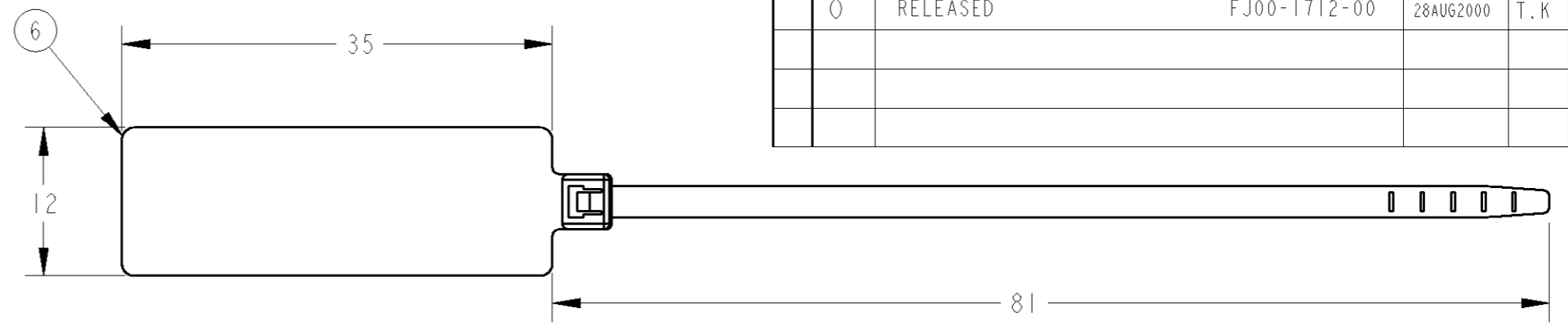
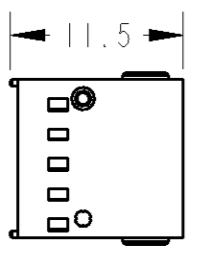
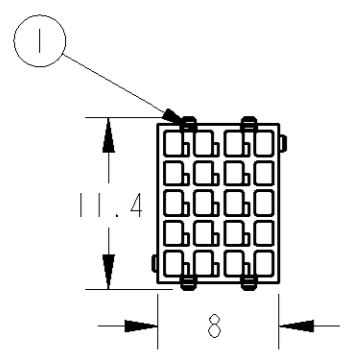


THIS DRAWING IS UNPUBLISHED. RELEASED FOR PUBLICATION 2000  
 © COPYRIGHT 2000 BY TYCO ELECTRONICS CORPORATION. ALL RIGHTS RESERVED.

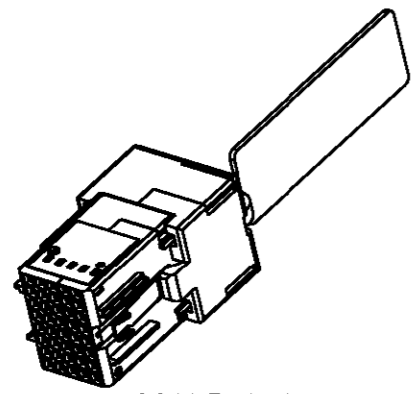
| LOC | DIST | REVISIONS   |          |              |           |     |     |
|-----|------|-------------|----------|--------------|-----------|-----|-----|
| P   | LTR  | DESCRIPTION | DATE     | DWN          | APVD      |     |     |
| J   | -    | 0           | RELEASED | FJ00-1712-00 | 28AUG2000 | T.K | K.I |



- 1. 製品は組立てずに梱包される。
- 2. 梱包単位: 100EA
- 3. 組立時の本体厚; 17.8mm, 本体高さ (PULL TAB部除<); 30mm

- 1. PARTS PACKAGED UNASSEMBLED.
- 2. PACKING UNIT: 100EA
- 3. THICKNESS; 17.8mm HEIGHT (EXCEPT FOR THE PULL TAB); 30mm (AFTER SET UP)

| ITEM | NAME                            | MATERIAL, COLOR   | ITEM |
|------|---------------------------------|---|------|
| 1    | CABLE KEYING                    | 熱可塑性樹脂、ナチュラル/THERMOPLASTIC, NATURAL                                 | 7    |
| 1    | PULL TAB                        | 熱可塑性樹脂、白/THERMOPLASTIC, WHITE                                       | 6    |
| 1    | OUTER COVER BOTTOM 40P          | 熱可塑性樹脂、黒/THERMOPLASTIC, BLACK                                       | 5    |
| 1    | OUTER COVER TOP 40P             | 熱可塑性樹脂、黒/THERMOPLASTIC, BLACK                                       | 4    |
| 1    | INNER COVER SUB ASSY BOTTOM 40P | COVER: 熱可塑性樹脂、黒/THERMOPLASTIC, BLACK<br>LOCK LEVER: ステンレス/STAINLESS | 3    |
| 1    | INNER COVER SUB ASSY TOP 40P    | COVER: 熱可塑性樹脂、黒/THERMOPLASTIC, BLACK<br>LOCK LEVER: ステンレス/STAINLESS | 2    |
| 2    | RECEPTACLE HOUSING 20P          | 熱可塑性樹脂、黒/THERMOPLASTIC, BLACK                                       | 1    |



SCALE 1:1

|  |  |  |  |  |  |
|--|--|--|--|--|--|
| THIS DRAWING IS A CONTROLLED DOCUMENT FOR TYCO ELECTRONICS CORPORATION<br>IT IS SUBJECT TO CHANGE AND THE CONTROLLING ENGINEERING ORGANIZATION<br>SHOULD BE CONTACTED FOR THE LATEST REVISION. |  | DWN 28AUG2000<br>T. KATANO<br>CHR 28AUG2000<br>K. IKEGAMI<br>APVD 28AUG2000<br>K. IKEGAMI  |  | <b>AMP</b> Tyco Electronics AMP K.K.<br>Kawasaki, Japan        |  |
| DIMENSIONS: mm<br>   |  | TOLERANCES UNLESS OTHERWISE SPECIFIED:<br>0-PLC 10±0.2<br>1-PLC30 >10±0.25<br>2-PLC >30 ±0.3<br>3-PLC ±<br>4-PLC ±<br>ANGLES ±3° |  | PRODUCT SPEC 108-5689<br>APPLICATION SPEC -<br>WEIGHT 5.95g/EA |  |
| MATERIAL SEE TABLE<br>FINISH -   |  | NAME AMP MCC CONN. 40POS.<br>SIZE A3 CAGE CODE 00779 DRAWING NO. C-1376245   |  | RESTRICTED TO -  |  |
| CUSTOMER DRAWING   |  | SCALE 2:1 SHEET 1 OF 1 REV 0   |  | -  |  |

单击下面可查看定价，库存，交付和生命周期等信息

[>>TE Connectivity\(泰科\)](#)