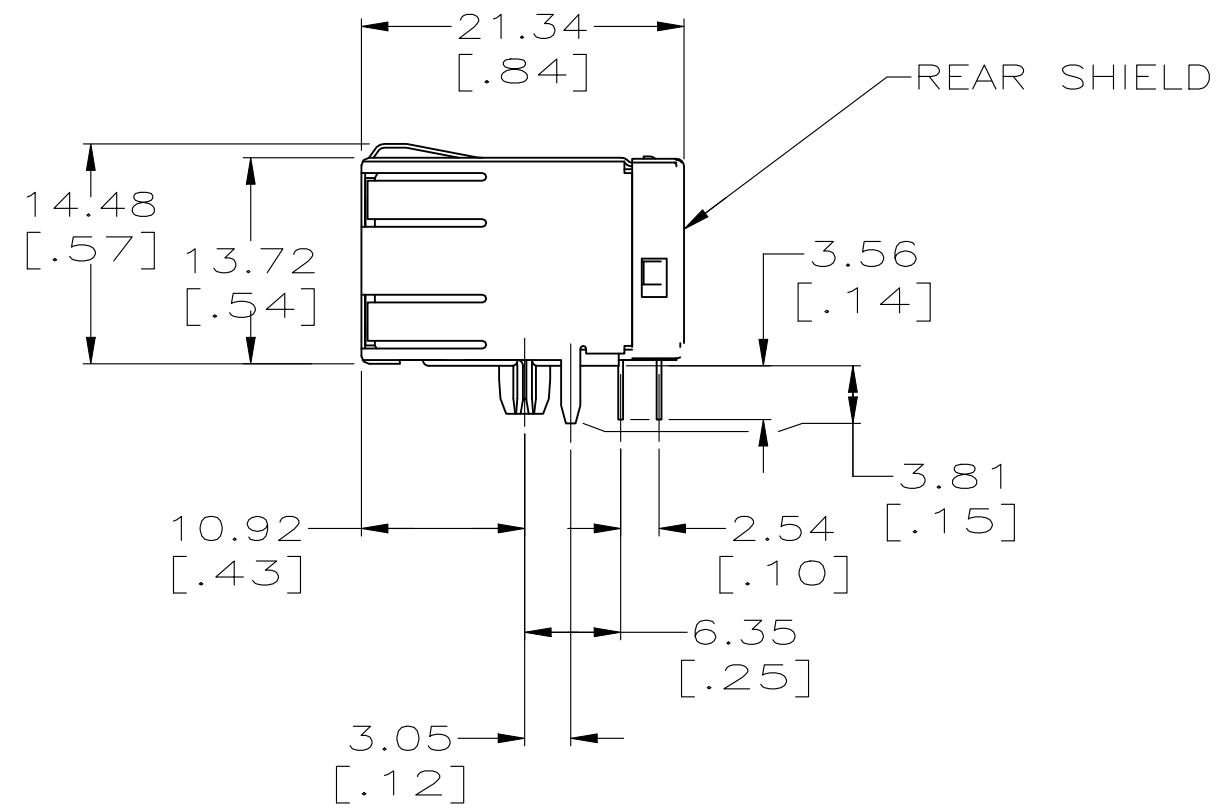
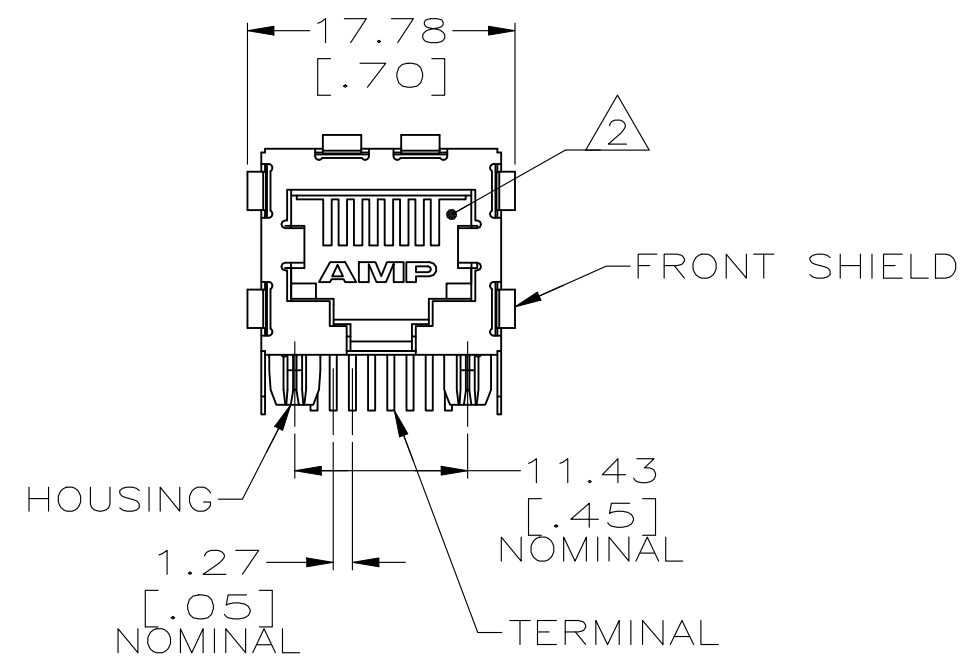
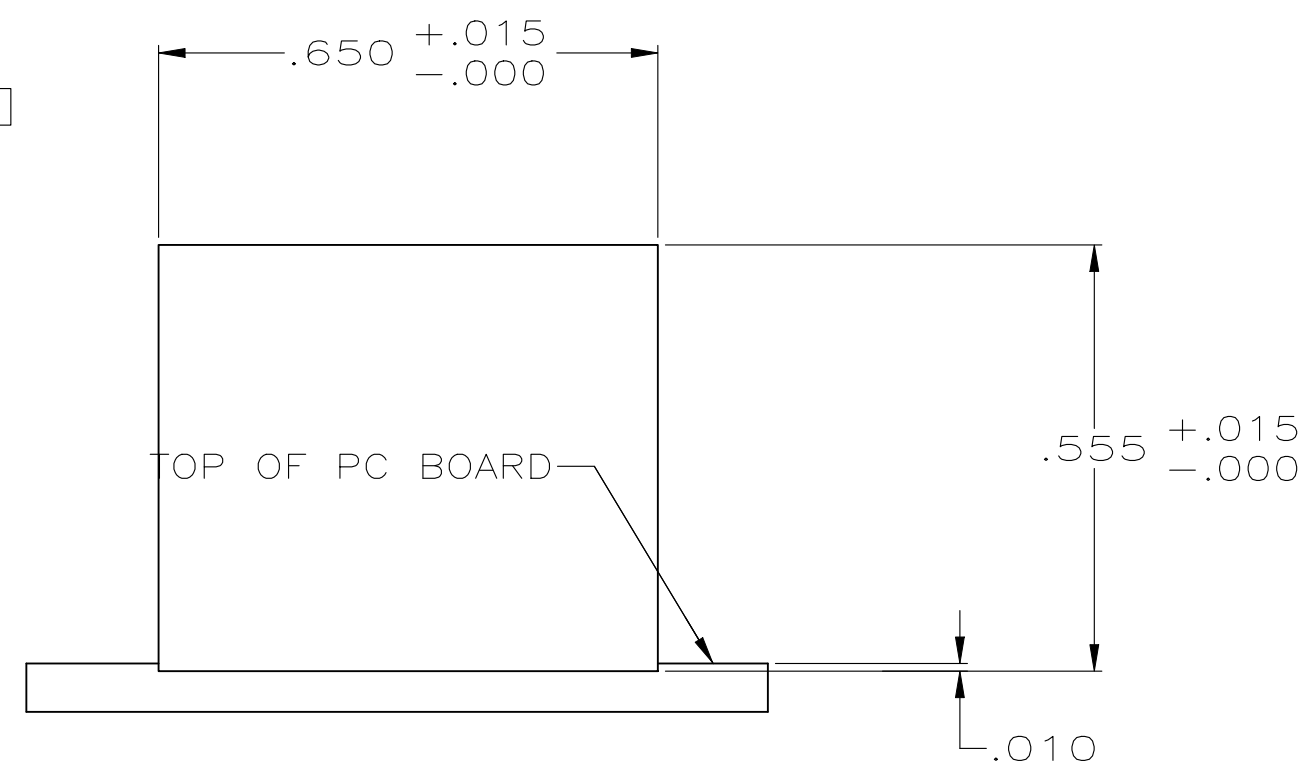
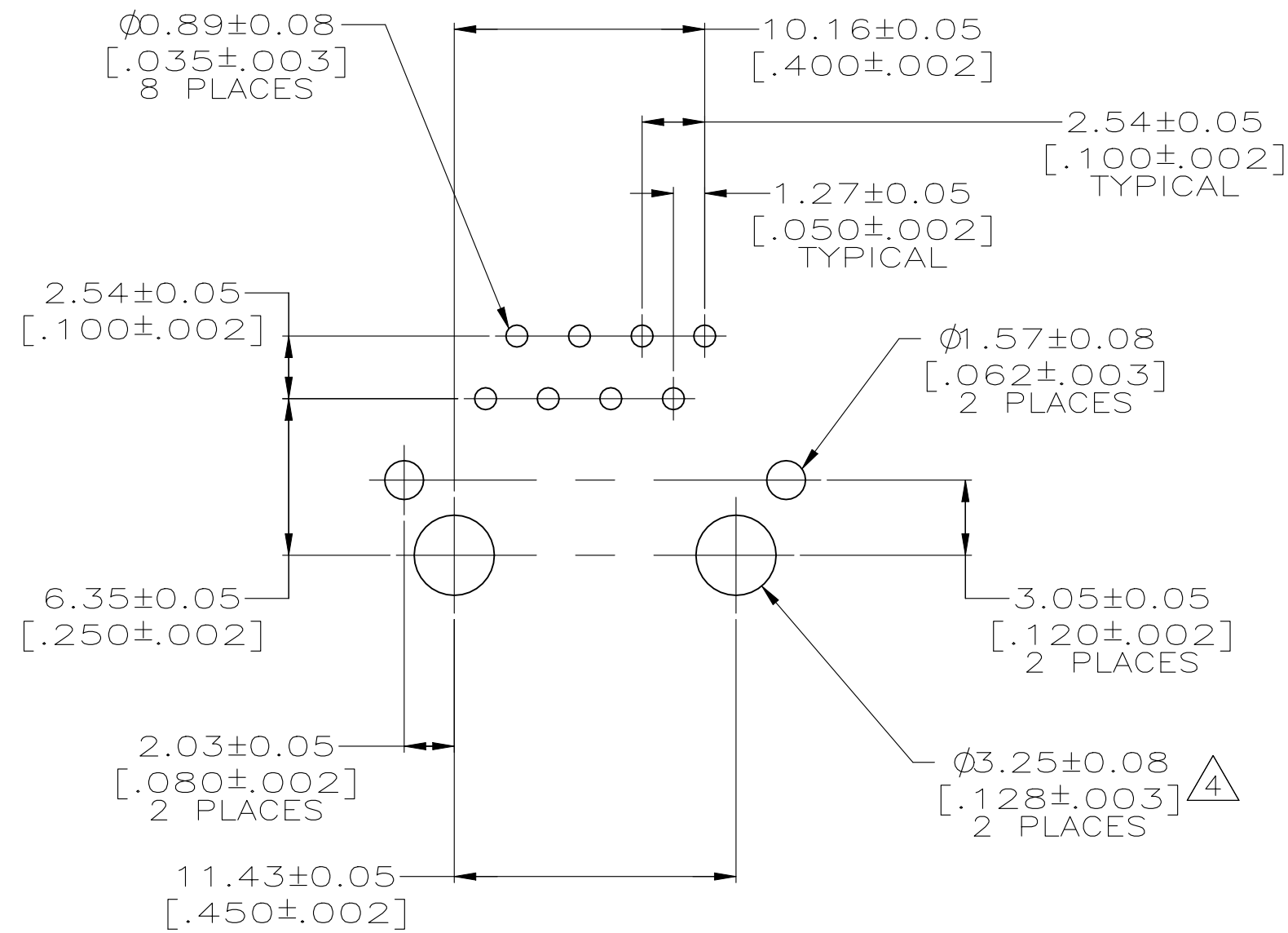


REVISIONS					
P	LTR	DESCRIPTION	DATE	DWN	APVD
B1		ECR-19-014657	13DEC2020	RR	SZ

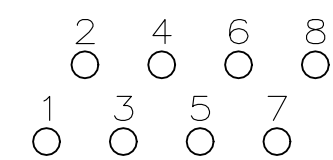


- ⚠ MATERIAL: HOUSING – NYLON, BLACK, IR REFLOW COMPATIBLE, UL 94V-0.  
 TERMINALS – 0.33[.013] THICK PHOS BRONZE PLATED WITH 1.27 $\mu$ m[.000050] MINIMUM THICK HARD GOLD IN LOCALIZED AREA AND 3.81 $\mu$ m [.000150] MINIMUM THICK MATTE TIN IN SOLDER AREA OVER 1.27 $\mu$ m[.000050] MINIMUM THICK NICKEL UNDERPLATE.  
 SHIELDS – 0.25[.010] THICK COPPER ALLOY PLATED WITH 2.03 $\mu$ m[.000080] MINIMUM BRIGHT TIN OVER 1.27 $\mu$ m[.000050] MINIMUM NICKEL.
- ⚠ JACK CAVITY CONFORMS TO FCC RULES AND REGULATIONS, PART 68 SUBPART F.
- ⚠ CAUTION: CATEGORY 5 JACK SOLDER TAIL POSITIONS DO NOT FOLLOW SAME NUMBER SEQUENCE AS THAT OF THE TRADITIONAL JACKS.
- ⚠ USE #30 DRILL BIT OR 3.25mm DRILL BIT WHEN PRODUCING THESE PCB HOLES.
- ⚠ MATERIAL: HOUSING – NYLON, BLACK, IR REFLOW COMPATIBLE, UL 94V-0.  
 TERMINALS – 0.33 [.013] THICK PHOS BRONZE PLATED WITH 1.27  $\mu$ m [.000050] MINIMUM THICK HARD GOLD IN LOCALIZED AREA AND 3.81  $\mu$ m [.000150] MINIMUM THICK MATTE TIN IN SOLDER AREA OVER 1.27  $\mu$ m [.000050] MINIMUM THICK NICKEL UNDERPLATE.  
 SHIELDS – 0.25 [.010] THICK COPPER ALLOY PLATED WITH 1.27  $\mu$ m [.000050] MINIMUM NICKEL AND 2.03  $\mu$ m [.000080] MINIMUM HOT TIN DIP ON PCB GROUND TABS.

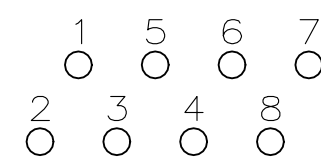


SUGGESTED PANEL CUTOUT  
 SCALE 4:1

SUGGESTED PC BOARD LAYOUT  
 COMPONENT SIDE  
 SCALE 4:1



TRADITIONAL JACK



CATEGORY 5 & 5e JACK

SUPERSEDED BY -2	⚠	5406300-2
	⚠	5406300-1
	⚠	PART NUMBER

THIS DRAWING IS A CONTROLLED DOCUMENT.		DWN J. ALCORTA - DOCK5 08JUN2005	TE Connectivity	
DIMENSIONS: mm [INCHES]		CHK J. WESTMAN 08JUN2005	NAME S. FLICKINGER	
TOLERANCES UNLESS OTHERWISE SPECIFIED: 0 PLC $\pm$ - 1 PLC $\pm$ - 2 PLC $\pm$ 0.25[.01] 3 PLC $\pm$ 0.13[.005] 4 PLC $\pm$ - ANGLES $\pm$ - FINISH		APVD S. FLICKINGER 08JUN2005	PRODUCT SPEC 108-1163	
MATERIAL		APPLICATION SPEC 114-2048	SIZE A2	CAGE CODE 00779
⚠ ⚠		WEIGHT 0.000000	DRAWING NO C=5406300	RESTRICTED TO -
		CUSTOMER DRAWING	SCALE 2:1	SHEET 1 OF 1
			REV B1	

单击下面可查看定价，库存，交付和生命周期等信息

[>>TE Connectivity\(泰科\)](#)