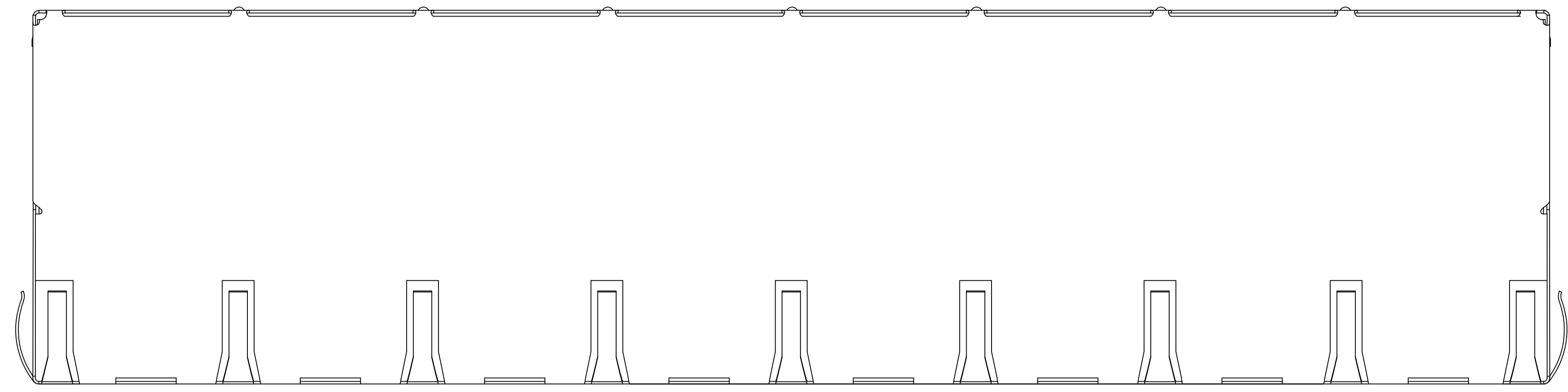
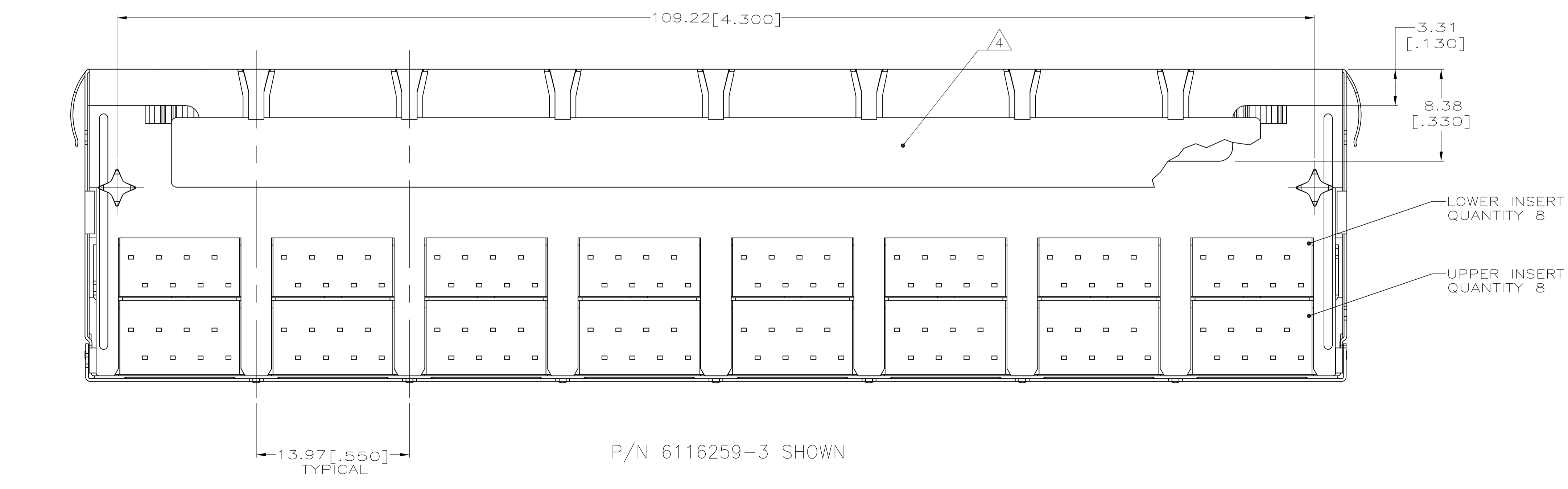
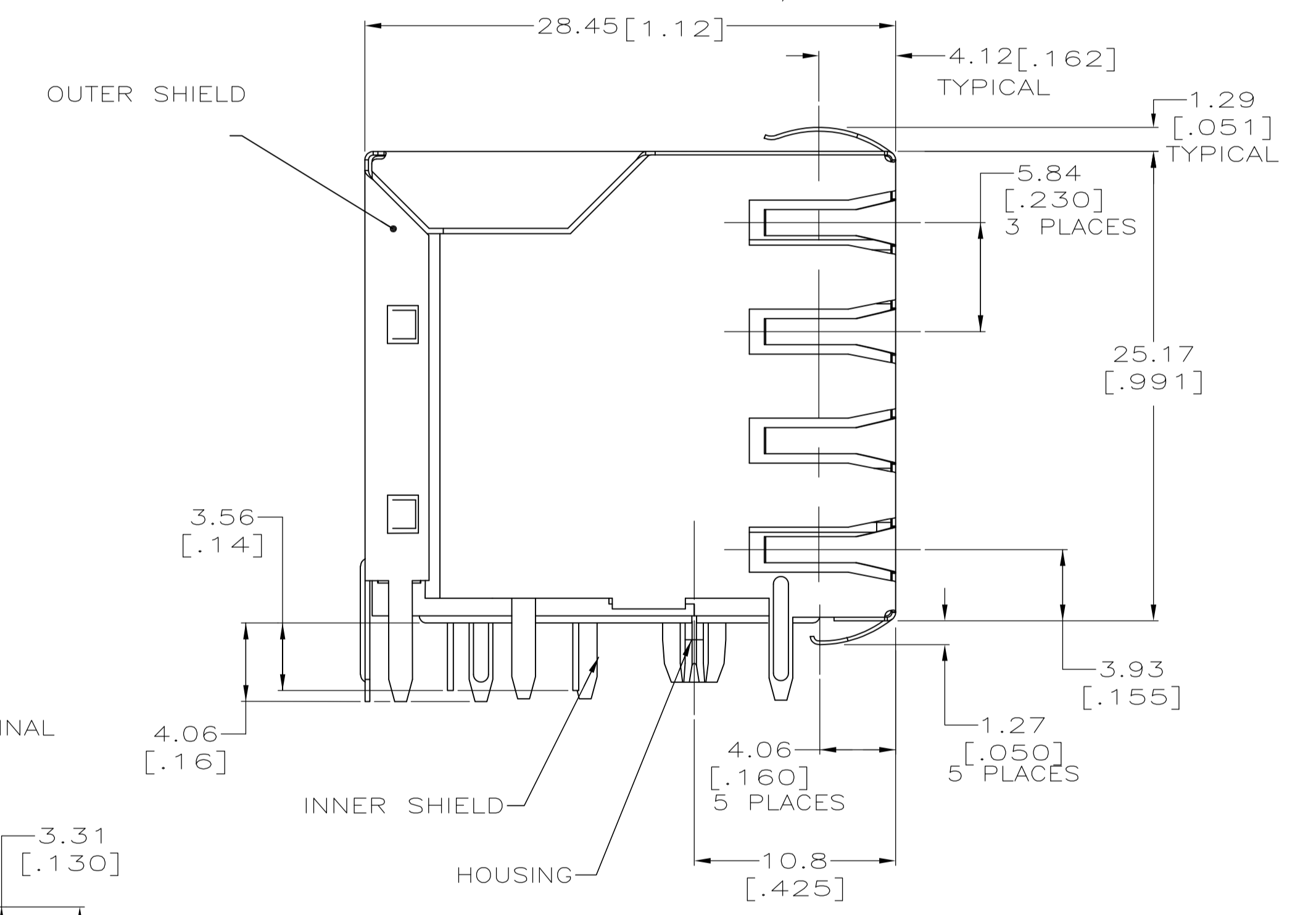
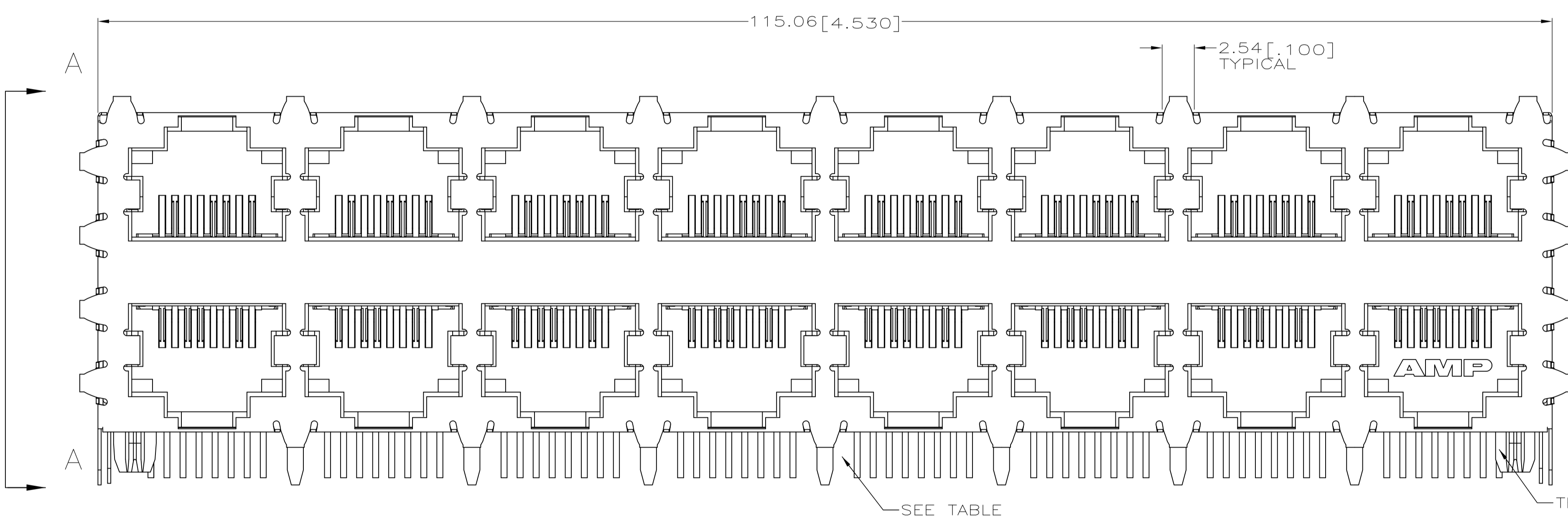


LOC		DIST		REVISIONS			
F	LTR	DESCRIPTION	DATE	DN	APVD		
A3	ECR-11-006855		31MAR2011	JJ	MQW		



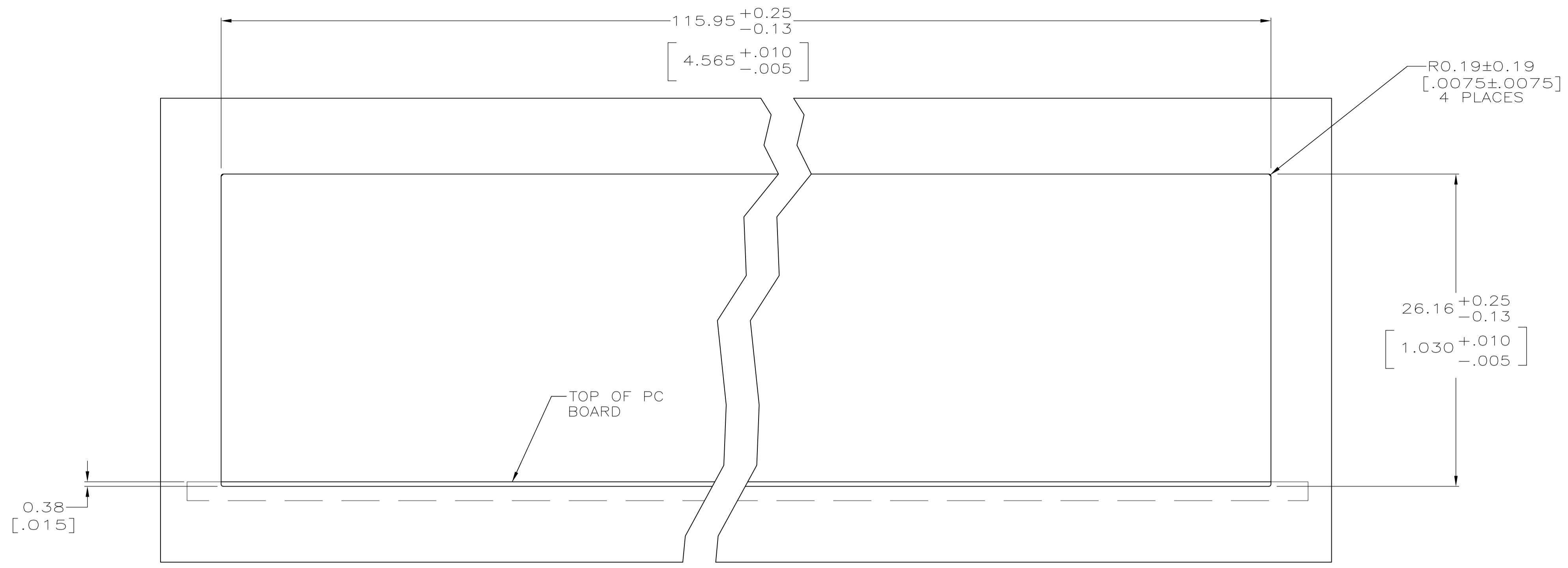
- ⚠ MATERIAL: HOUSING - PCT POLYESTER, BLACK, UL 94V-0.
 OVERMOLDED TERMINAL ARRAY - PBT, BROWN.
 TERMINALS - 0.33[.013] THICK PHOS BRONZE PLATED WITH 1.27μm[.000050] MIN THICK HARD GOLD IN LOCALIZED AREA AND 3.81μm[.000150] MIN THICK MATTE TIN IN SOLDER AREA OVER 1.27μm[.000050] MIN THICK NICKEL UNDERPLATE.
 SHIELD - 0.196[.0077] THICK COPPER ALLOY PLATED WITH SATIN NICKEL 1.27μm[.000050] MIN THICK OVERALL AND 2.03μm[.000080] MIN THICK HOT TIN DIP ON PCB GROUND TABS.
 INSULATOR - 0.04[.0015] THICK WHITE POLYESTER FILM WITH PRESSURE SENSITIVE ADHESIVE, 6.35 X 99.31 [250 X 3.91].
- ⚠ JACK CAVITY CONFORMS TO FCC RULES AND REGULATIONS, PART 68 SUBPART F.
- ⚠ USE 3.25mm OR #30 DRILL BIT WHEN PRODUCING THESE PCB HOLES.
- ⚠ INSULATOR TAPE, 1500 VAC DWC CAPABLE, APPLIED AS SHOWN FOR PN 6116259-3 ONLY.
- ⚠ DATE CODE LOCATED ON REAR OF PART APPROXIMATELY AS SHOWN.
 FIRST 2 DIGITS ARE LAST 2 DIGITS OF YEAR, SECOND 2 DIGITS ARE MANUFACTURING WORK WEEK, LAST DIGIT IS DAY OF WEEK WITH SUNDAY = 1.
- ⚠ OBSOLETE PARTS: OBSOLETE CIS STREAMLINING PER D.RENAUD/D.SINISI



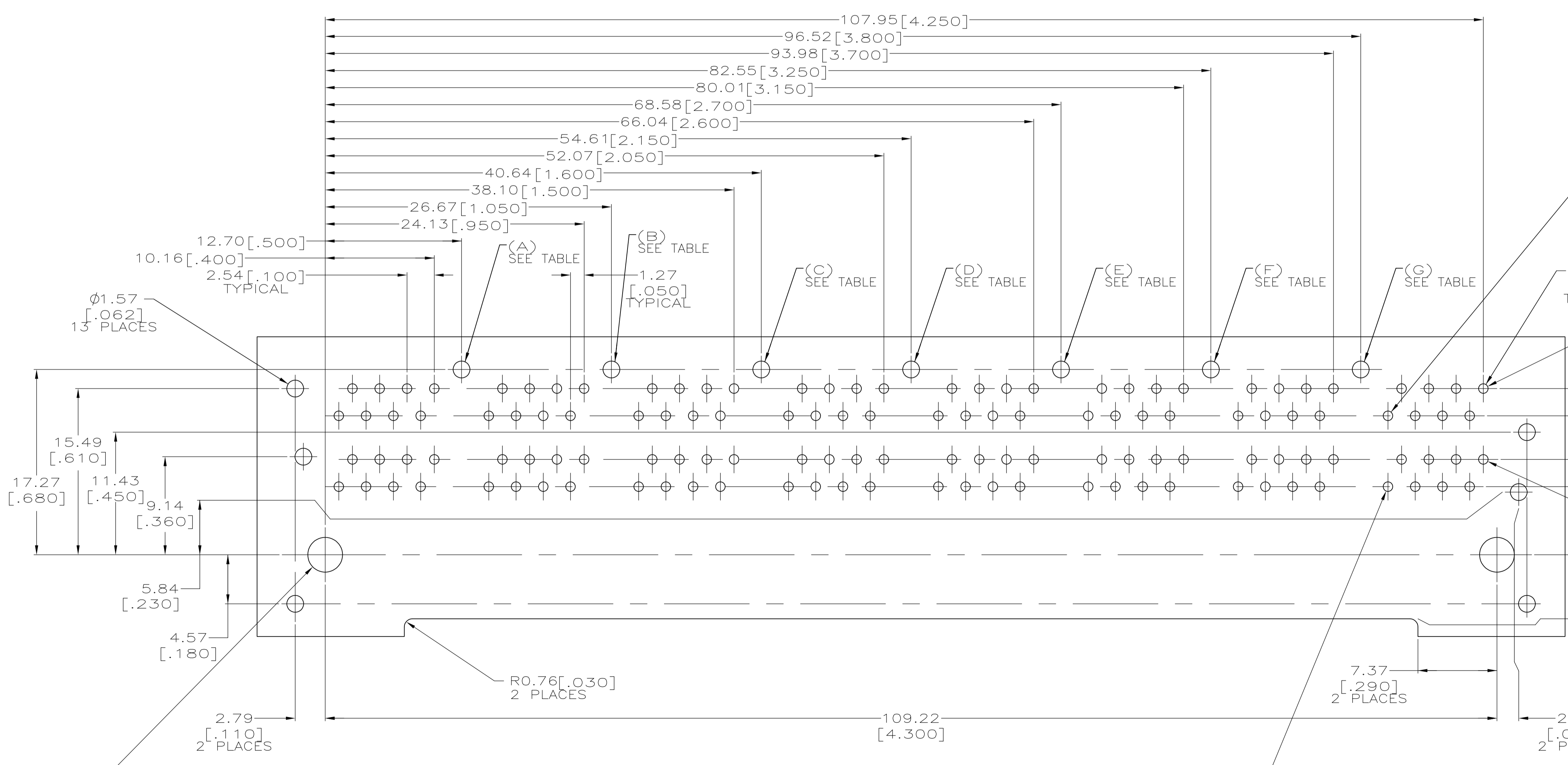
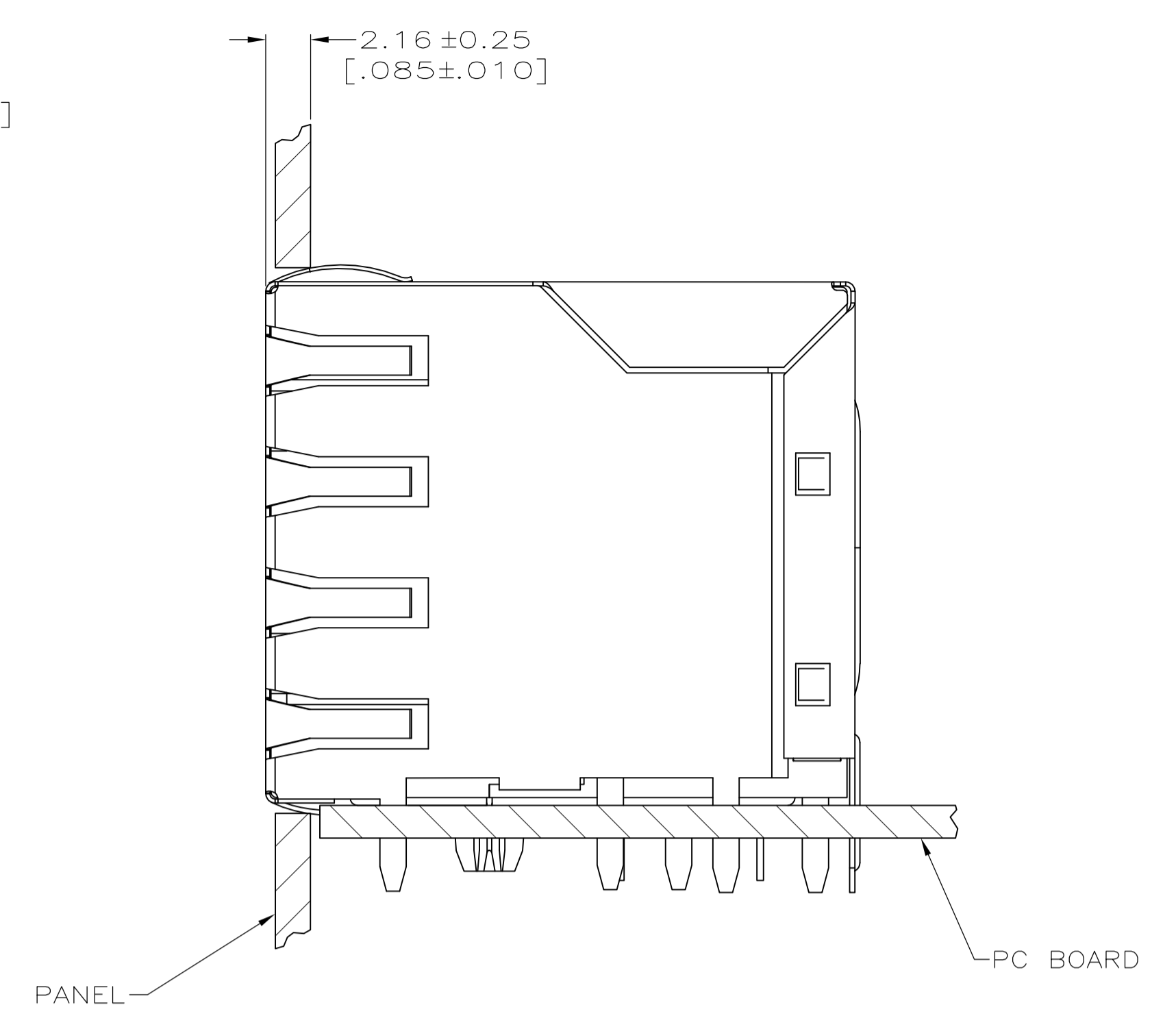
OBVIOUS	DESCRIPTION	QUANTITY	PART NUMBER
⚠ OBSOLETE	A,B,C,D,E,F,G	7	6116259-3
	A,B,C,D,E,F,G	7	6116259-2
⚠ OBSOLETE	A,C,E,G	4	6116259-1
	HOLES USED	NO. OF REAR TABS	PART NUMBER

THIS DRAWING IS A CONTROLLED DOCUMENT.

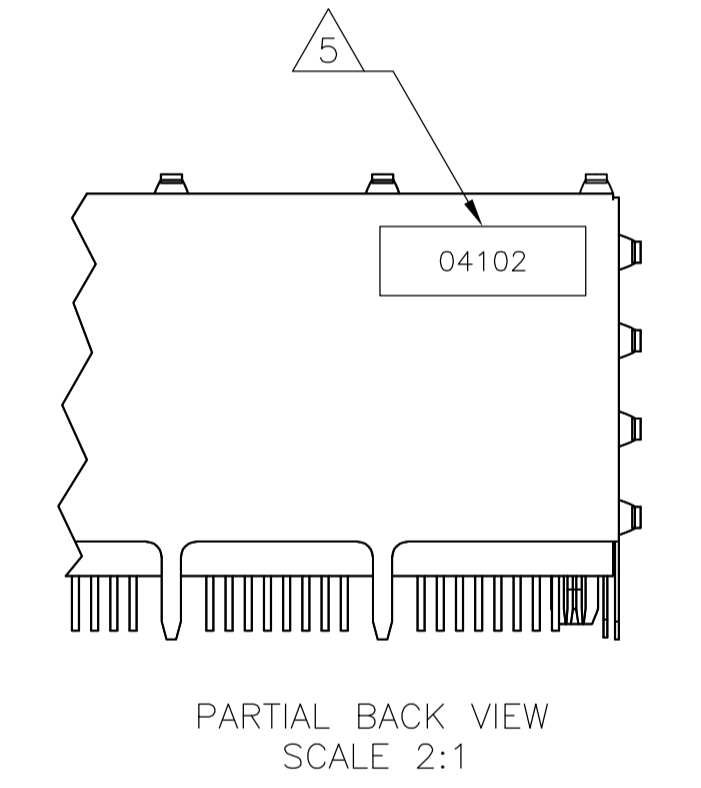
DIMENSIONS: mm [INCHES]	TOLERANCES UNLESS OTHERWISE SPECIFIED:	APVD: J. WESTMAN	DATE: 10JUN2005	tyco Electronics	Tyco Electronics Corporation Harrisburg, PA 17105-3608
0. PLC ± -	1. PLC ± -	2. PLC ± 0.25[.01]	3. PLC ± 0.13[.005]	4. PLC ANGLES ± -	NAME: S. FLICKINGER
		PRODUCT SPEC: 108-1163-2	APPLICATION SPEC: 114-2048	SIZE: A1	CAGE CODE: 00779
		RESTRICTED TO: CUSTOMER DRAWING	SCALE: 4:1	SHEET: 1 OF 2	REV: A3



SUGGESTED PANEL CUTOUT DIMENSIONS



PC BOARD LAYOUT VIEWED FROM COMPONENT SIDE



THIS DRAWING IS A CONTROLLED DOCUMENT.		DIN L VARELA - DOCKS 10JUN2005	Tyco Electronics Corporation Harrisburg, PA 17105-3608
DIMENSIONS: mm [INCHES]		CHK J. WESTMAN 10JUN2005	
TOLERANCES UNLESS OTHERWISE SPECIFIED:		APVD S. FLICKINGER 10JUN2005	NAME
0. PLC ± -		PRODUCT SPEC	STACKED MODULAR JACK ASSEMBLY
1. PLC ± -		APPLICATION SPEC	2x8 PORT, 8 POSITION, SHIELDED,
2. PLC ± 0.25(.01)		SIZE	WAVE PANEL GROUND, CATEGORY 5
3. PLC ± 0.13(.005)		WEIGHT	
4. PLC ± -		CAGE CODE	DRAWING NO
ANGLES ± -		RESTRICTED TO	
MATERIAL	FINISH	114-2048	A1 00779 ©=6116259
		CUSTOMER DRAWING	SCALE 4:1 SHEET 2 OF 2 REV A3

单击下面可查看定价，库存，交付和生命周期等信息

[>>TE Connectivity\(泰科\)](#)