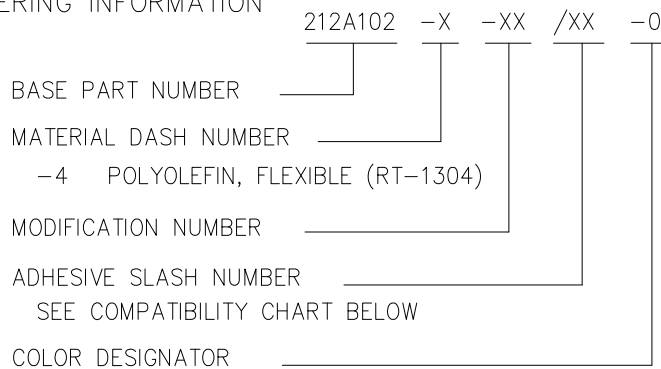


TABLE OF DIMENSIONS								
PART DESCRIPTION	H		P +.05 -.07 b	R ±.05 b	S ±.10 b	T ±.01 b	U ±.010 b	W ±.005 b
	MIN a	MAX b						
212A102	3.00 [76,2]	1.00 [25,4]	2.93 [74,4]	1.35 [34,3]	1.10 [27,9]	.60 [15,2]	.225 [5,7]	.030 [0,76]

NOTES:

- ALL DIMENSIONS ARE IN  $\frac{\text{INCHES}}{\text{[MILLIMETERS]}}$
- DIMENSIONS APPEARING IN TABLE ARE AS FOLLOWS:  
a – AS SUPPLIED; b – AFTER UNRESTRICTED RECOVERY
- ORDERING INFORMATION



**CUSTOMER DRAWING**

			<b>Raychem Molded Parts</b> 300 Constitution Drive Menlo Park, CA. 94025, U.S.A.		TITLE:  <p style="text-align: center;"><b>BOOT, DUST COVER</b></p>		
Unless otherwise specified dimensions are in inches. Metric dimensions are shown in brackets				DOCUMENT NO.:  <p style="text-align: center;"><b>212A102</b></p>			
Tyco Electronics reserves the right to amend this drawing at any time. Users should evaluate the suitability of the product for their application.				REV.:  <p style="text-align: center;">D</p>		DATE:  <p style="text-align: center;">February 23, 2011</p>	
REVISED BY: <p style="text-align: center;">YUNGUYEN</p>	CAGE CODE: <p style="text-align: center;">06090</p>	ECO #: <p style="text-align: center;">ECO-11-003640</p>	File: <p style="text-align: center;">212A102.doc</p>	SCALE: <p style="text-align: center;">None</p>	SIZE: <p style="text-align: center;">A</p>	SHEET: <p style="text-align: center;">1 of 1</p>	

© 1987-2011 Tyco Electronics Corporation. All rights reserved.

If this document is printed it becomes uncontrolled. Check for the latest revision.

单击下面可查看定价，库存，交付和生命周期等信息

[>>TE Connectivity\(泰科\)](#)