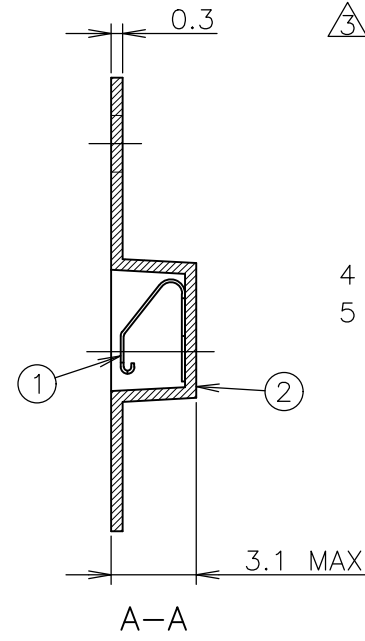
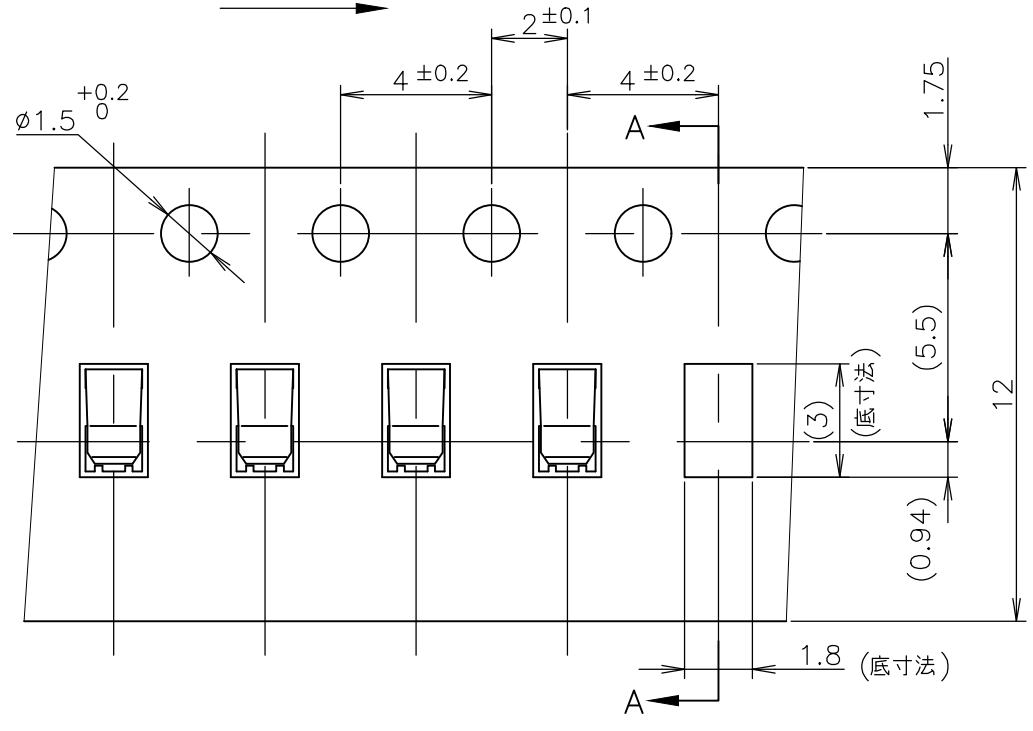


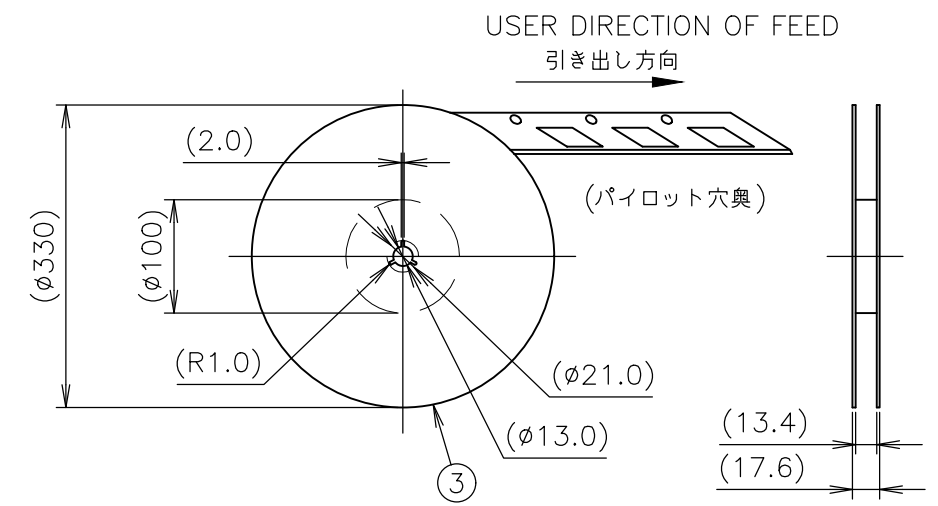
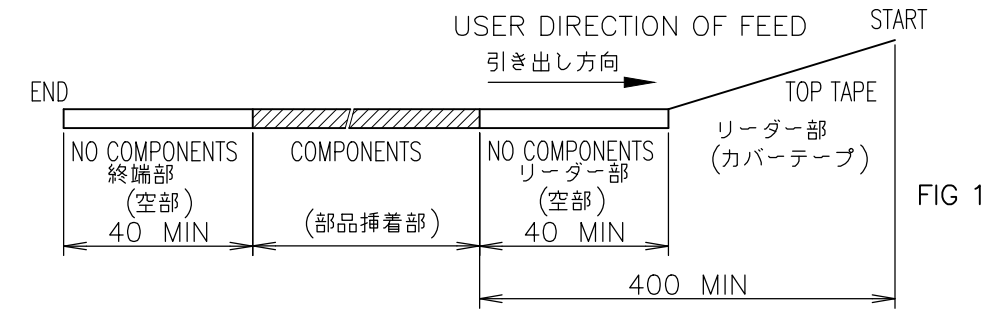
THIS DRAWING IS UNPUBLISHED. RELEASED FOR PUBLICATION .SEP 2000
 © COPYRIGHT 2000 By - ALL RIGHTS RESERVED.

REVISIONS				
P	LTR	DESCRIPTION	DATE	APVD
	A3	ECR-18-016328	15JAN2019	E.Z W.H

USER DIRECTION OF FEED
 引き出し方向

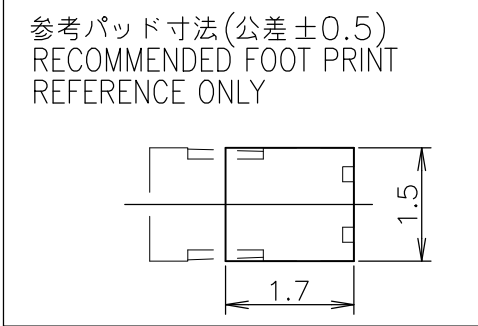
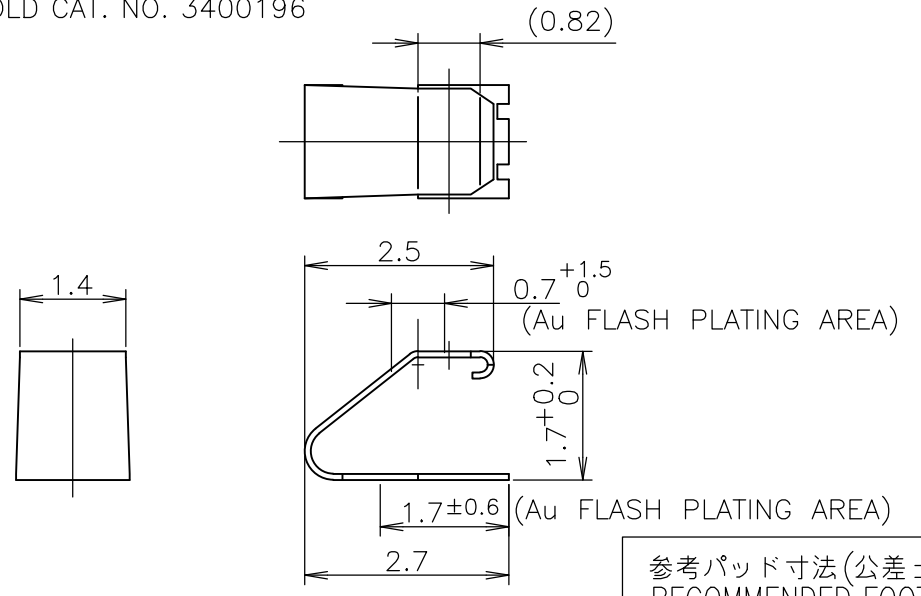


- 1 GENERAL TOLERANCE: ± 0.3
- 2 PACKING STYLE: 5,000 PCS/REEL
- 3 MATERIAL:
 SHIELD FINGER: COPPER ALLOY
 (PRE-NICKEL PLATING 0.8~1.5um)
 (PRE-GOLD PLATING ON THE CONTACT AND FOOT AREA 0.05~0.1um)
 CARRIER TAPE: ACRYLIC FILM
 TOP TAPE: PET FILM
 REEL: PLASTIC
- 4 TAPES DIMENSION: SEE FIG 1
- 5 REEL DIMENSION: REFERENCE ONLY



シールドフィンガー 1715
 SHIELD FINGER 1715

旧型番: 3400196 SCALE 10:1
 OLD CAT. NO. 3400196



1447360-9	3100069	③	リール REEL	(旧型番: 3150008)	1
		②	エンボスキャリアテープ CARRIER TAPE	(旧型番: 3150038)	5000 ポケット (部品装着部)
		①	シールドフィンガー 1715 SHIELD FINGER 1715	(旧型番: 3400196)	5000ヶ
PACKAGING CAT. .NO.	OLD PACKAGING CAT. NO.	NO.	名称 DESIGNATION	型番 CAT. NO.	数量 QUANTITY
THIS DRAWING IS A CONTROLLED DOCUMENT.		DWN	K.TAMURA	14SEP2000	 TE Connectivity PACKAGING OF SHIELD FINGER 1715 ON CONTINUOUS TAPES シールドフィンガー 1715用 テーピング梱包
DIMENSIONS: 単位: 耗 mm		CHK	K.KODAIRA	25SEP2000	
TOLERANCES UNLESS OTHERWISE SPECIFIED: 一般公差		APVD	K.KODAIRA	25SEP2000	
0 PLC \pm - 1 PLC \pm - 2 PLC \pm - 3 PLC \pm - 4 PLC \pm - ANGLES \pm -		PRODUCT SPEC 製品規格		NAME 名称	
MATERIAL 材料		FINISH 仕上		APPLICATION SPEC 取付適用規格	RESTRICTED TO
		WEIGHT	0.000000	SIZE	A3
		CUSTOMER DRAWING		CAGE CODE	00779
				DRAWING NO	1447360-9
				SCALE	5:1
				SHEET	1 OF 1
				REV	A3

单击下面可查看定价，库存，交付和生命周期等信息

[>>TE Connectivity\(泰科\)](#)