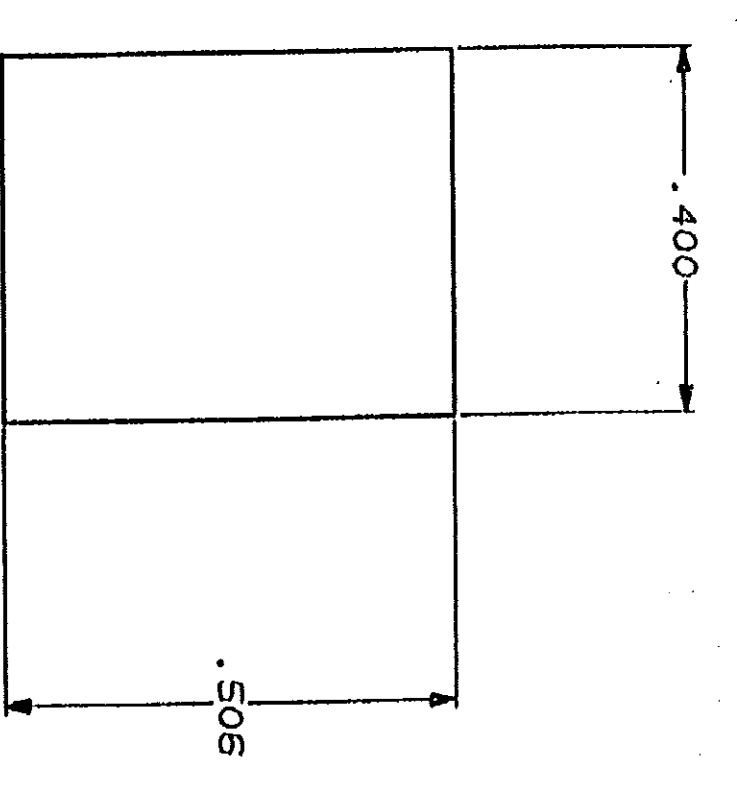
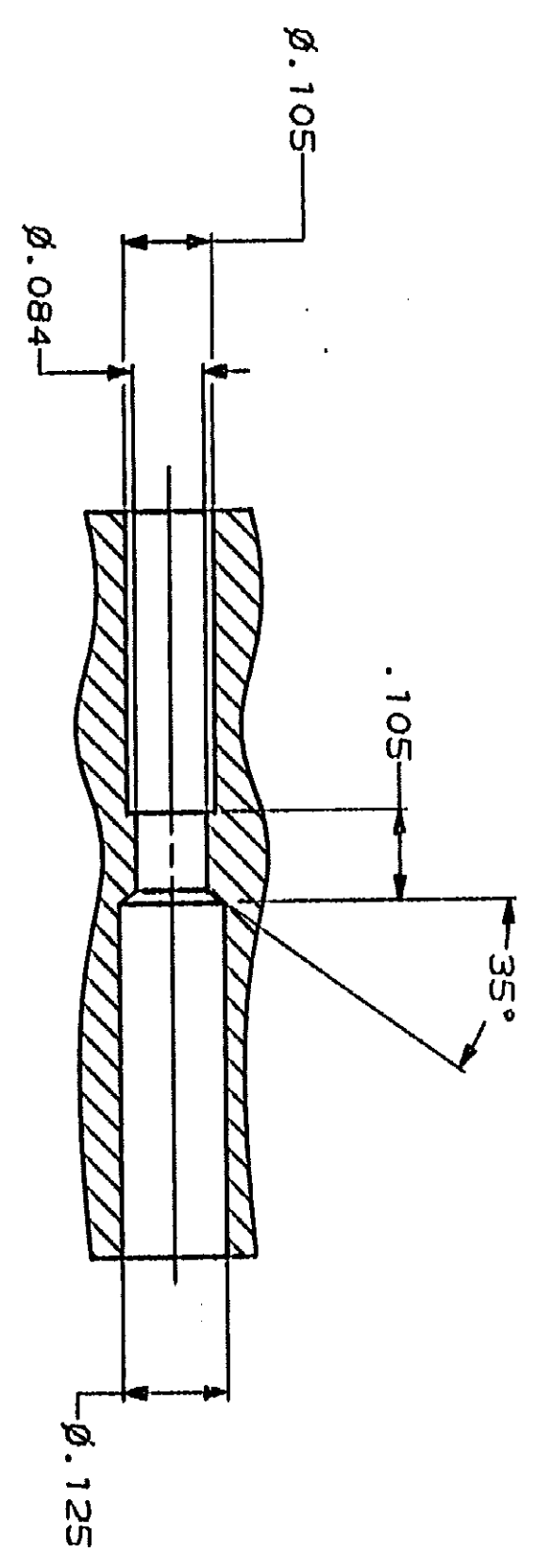
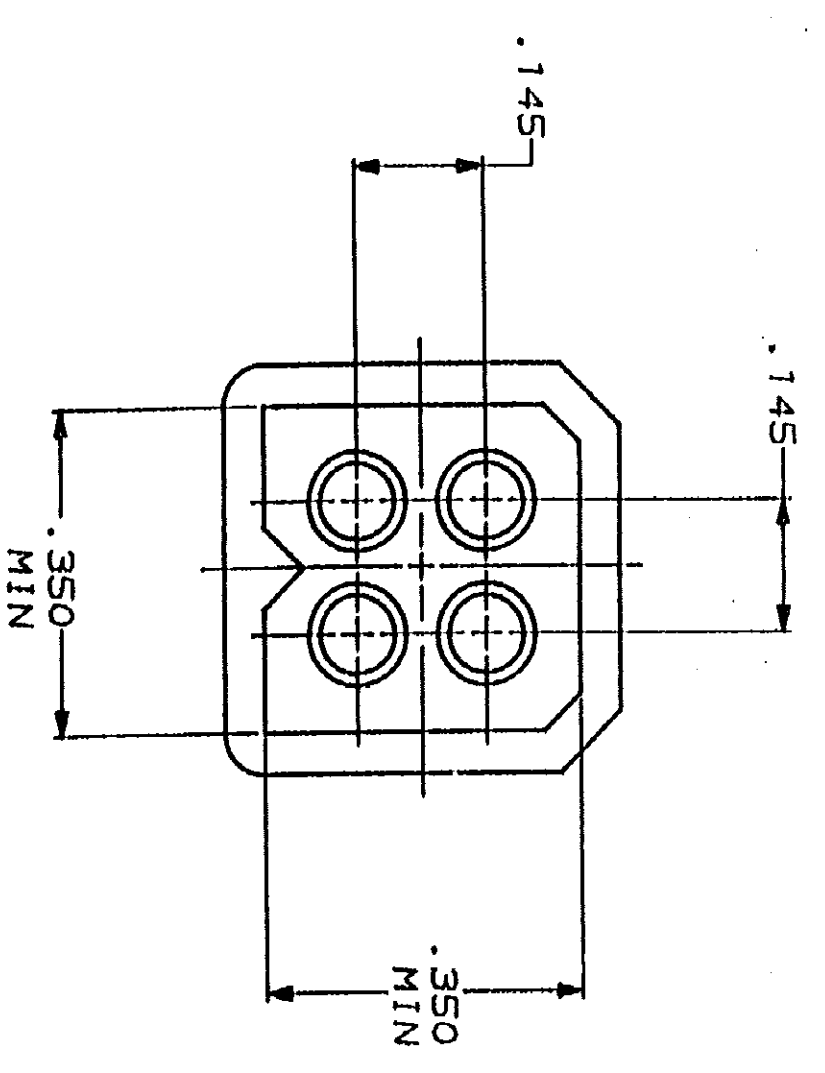
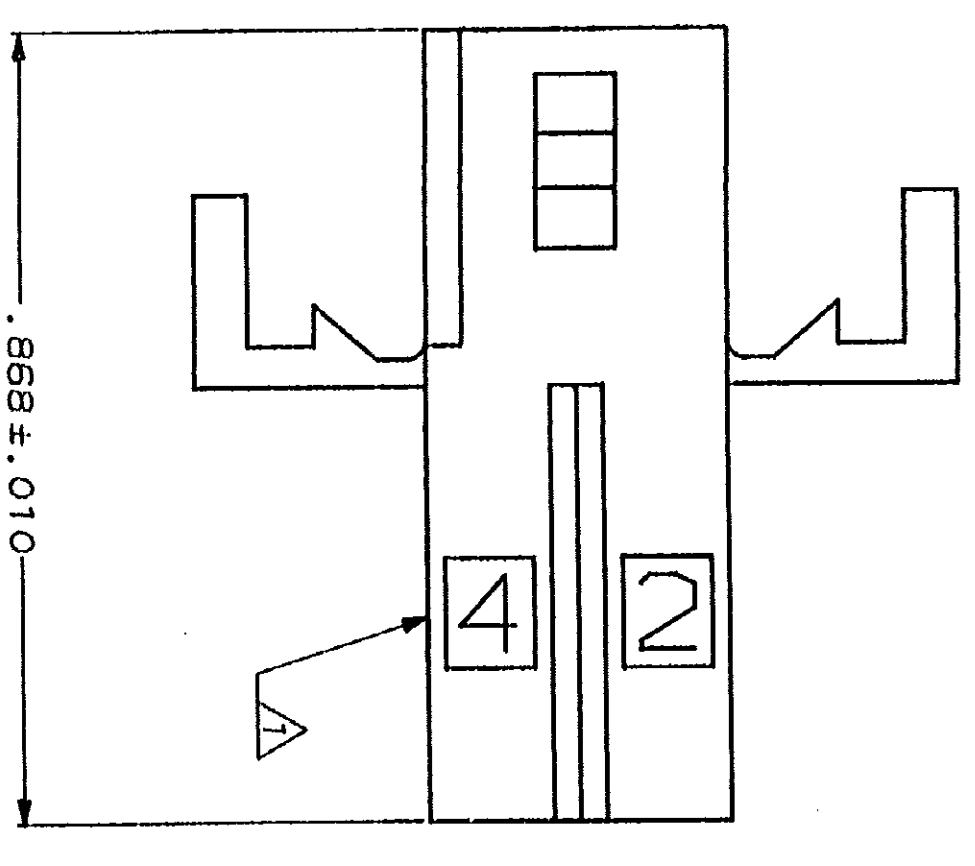
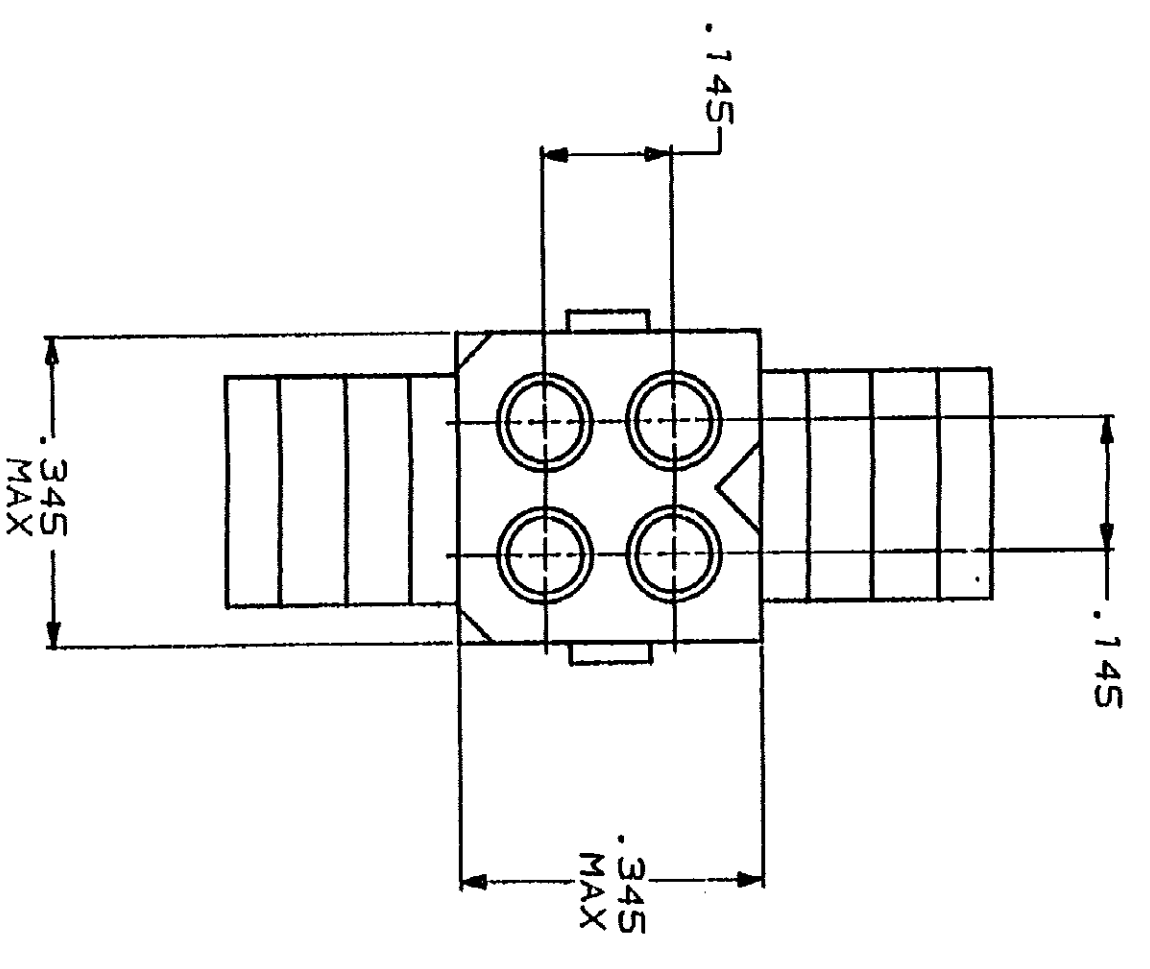
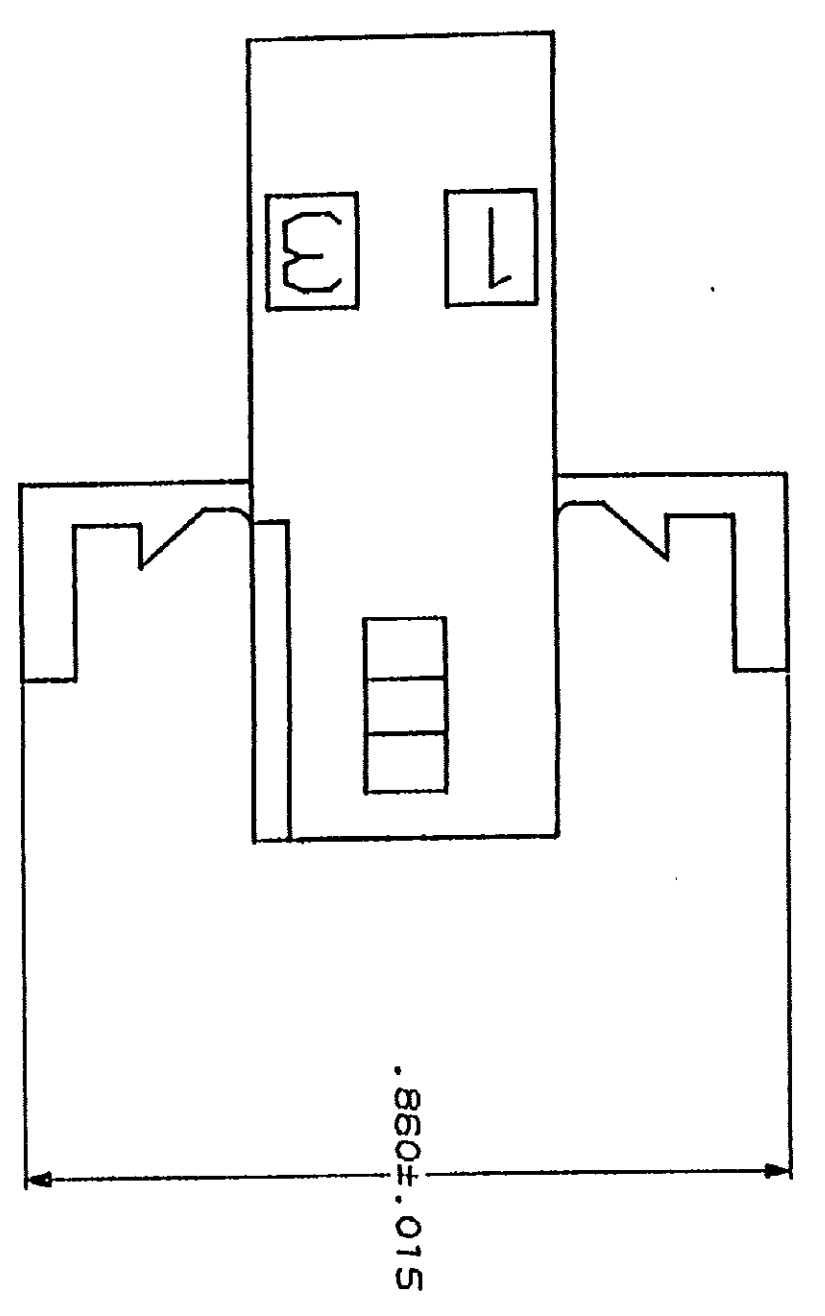
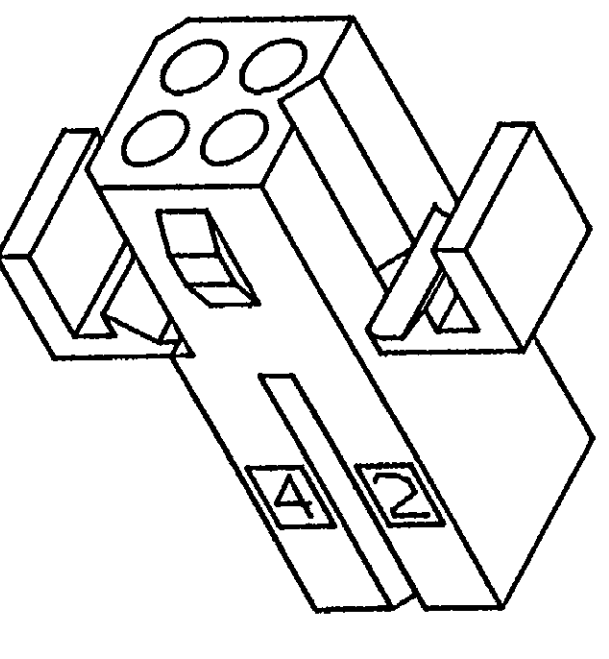


DRAWING MADE IN THIRD ANGLE PROJECTION
 THIS DRAWING IS UNPUBLISHED. RELEASED FOR PUBLICATION
 BY AMP INCORPORATED. ALL INTERNATIONAL RIGHTS RESERVED.
 © COPYRIGHT 1983

REV	DATE	APPROVED	DESCRIPTION
1	8-11-82	MS	ADDED METRIC CONVERSION



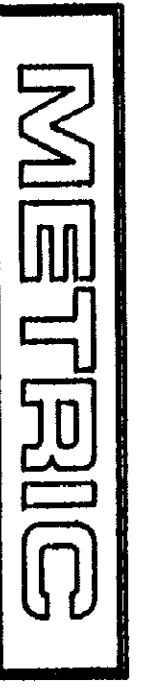
△ AMP LOGO LOCATED THIS SURFACE.



3-DIMENSIONAL MODEL
NTS

IN	MM	IN	MM
.145	3.68	.868	22.05
.062	1.57	.860	21.84
.060	1.52	.506	12.85
.015	0.38	.400	10.16
.010	0.25	.350	8.89
.005	0.13	.345	8.76

CONVERSION TABLE



DO NOT SCALE PRINT. UNLESS SPECIFIED IN CHANGES TOLERANCES ON: 2 PLG DEC ± .005 3 PLG DEC ± .005 ANGLES MATERIAL NYLON, UL 94V-2, NATURAL	DR K. WHITTAKER 11-3-88	CHK R. SWINS 11-3-88	APPD R. CARSON 11-4-88	DATE 11-3-88	SCALE 5:1
FINISH NATURAL	APPLICATION SPEC	SIZE D 00779	FSCH NO 770441	DRAWING NO 770441-1	PART NO 770441-1
RECEPTACLE, PANEL MOUNT, 4 CIRCUIT, .062 PIN AND SOCKET					

CUSTOMER DRAWING

单击下面可查看定价，库存，交付和生命周期等信息

[>>TE Connectivity\(泰科\)](#)