

THIS DRAWING IS UNPUBLISHED.

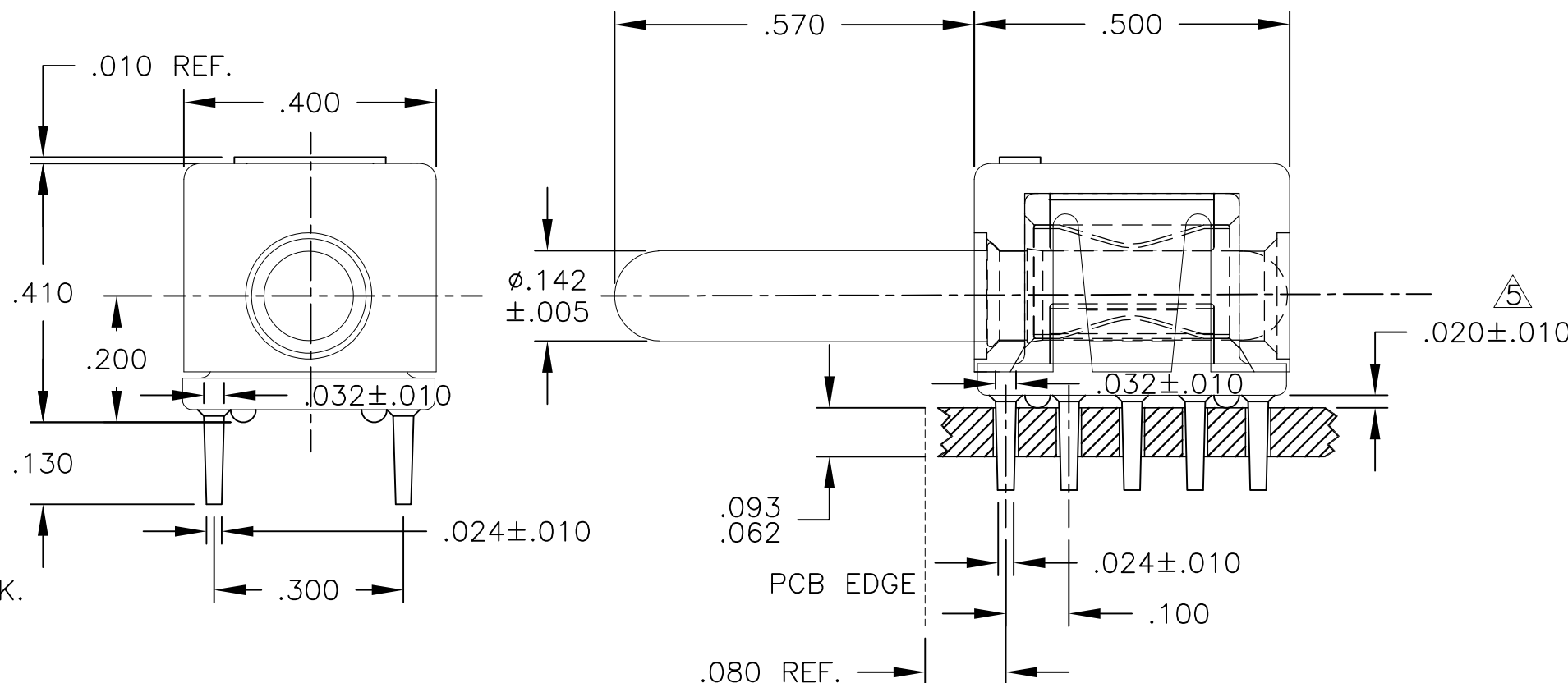
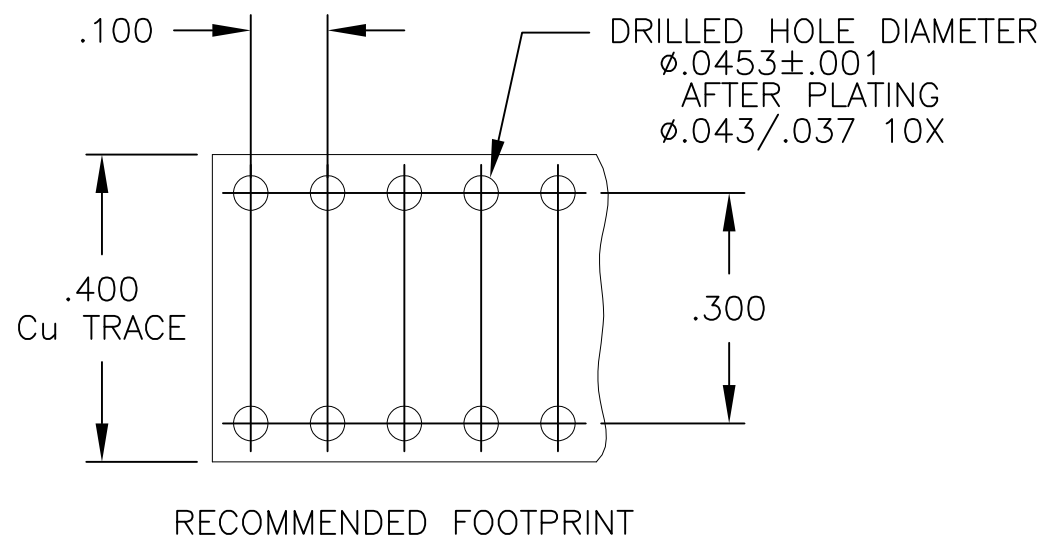
RELEASED FOR PUBLICATION

ALL RIGHTS RESERVED.

© COPYRIGHT - By -

REVISIONS

P	LTR	DESCRIPTION	DATE	DWN	APVD
	C2	RSVISED PER ECR-17-004664	31MAR2017	RS	SZ



⚠ A FIVE-POUND (5lb) FORCES REQUIRED TO CORRECTLY SEAT THE CONNECTOR WITH PLATED THRU HOLES LESS THAN  $\phi.040$  INCH.

4. FINISH:
- MODULE - SILVER PLATED .000200 MIN THK. OVER NICKEL .000040 MIN THK.
  - CROWN - GOLD PLATED .000030 MIN THK. OVER NICKEL .000040 MIN THK.
  - PIN CONTACT - SILVER PLATED .000200 MIN THK. OVER NICKEL .000040 MIN THK.

3. MATERIAL:
- INSULATOR: POLYESTER, GLASS FILLED, UL 94 V-0, COLOR: BLACK
  - MODULE: ZINC ALLOY
  - CROWN: BECU
  - CONTAC: BRASS

2. ITEMS PROVIDED TO THIS SPECIFICATION SHALL BE IDENTIFIED ON CONTAINER WITH THE FOLLOWING INFORMATION PART NUMBER AND DATE CODE OF MANUFACTURE.

1. PART NUMBER CHANGES AND OR DESIGN CHANGES AFFECTING ITEM INTERCHANGEABILITY REQUIRE PRIOR TE APPROVAL AND AUTHORIZATION BY REVISION TO THIS DRAWING.

6643431-1  
PART NUMBER

THIS DRAWING IS A CONTROLLED DOCUMENT.		DWN 11JAN2011 LOVATO/GRZYBOWSKI	TE Connectivity															
DIMENSIONS: INCHES		CHK 11JAN2011 D.ORRIS																
TOLERANCES UNLESS OTHERWISE SPECIFIED:		APVD 11JAN2011 CHAU/ORRIS	NAME ICCON PIN, PARALLEL SOLDER STYLE, NON-LOCKING															
<table border="0"> <tr> <td>0 PLC</td><td>± -</td> </tr> <tr> <td>1 PLC</td><td>± -</td> </tr> <tr> <td>2 PLC</td><td>± -</td> </tr> <tr> <td>3 PLC</td><td>± .020</td> </tr> <tr> <td>4 PLC</td><td>± -</td> </tr> <tr> <td>ANGLES</td><td>± .5</td> </tr> </table>		0 PLC	± -	1 PLC	± -	2 PLC	± -	3 PLC	± .020	4 PLC	± -	ANGLES	± .5	PRODUCT SPEC 108-128033	SIZE	CAGE CODE	DRAWING NO	RESTRICTED TO
0 PLC	± -																	
1 PLC	± -																	
2 PLC	± -																	
3 PLC	± .020																	
4 PLC	± -																	
ANGLES	± .5																	
MATERIAL		APPLICATION SPEC 114-13298	A3	00779	C-6643431	-												
FINISH		WEIGHT 0	CUSTOMER DRAWING		SCALE 4:1	SHEET 1 OF 1	REV C2											

单击下面可查看定价，库存，交付和生命周期等信息

[>>TE Connectivity\(泰科\)](#)