

4

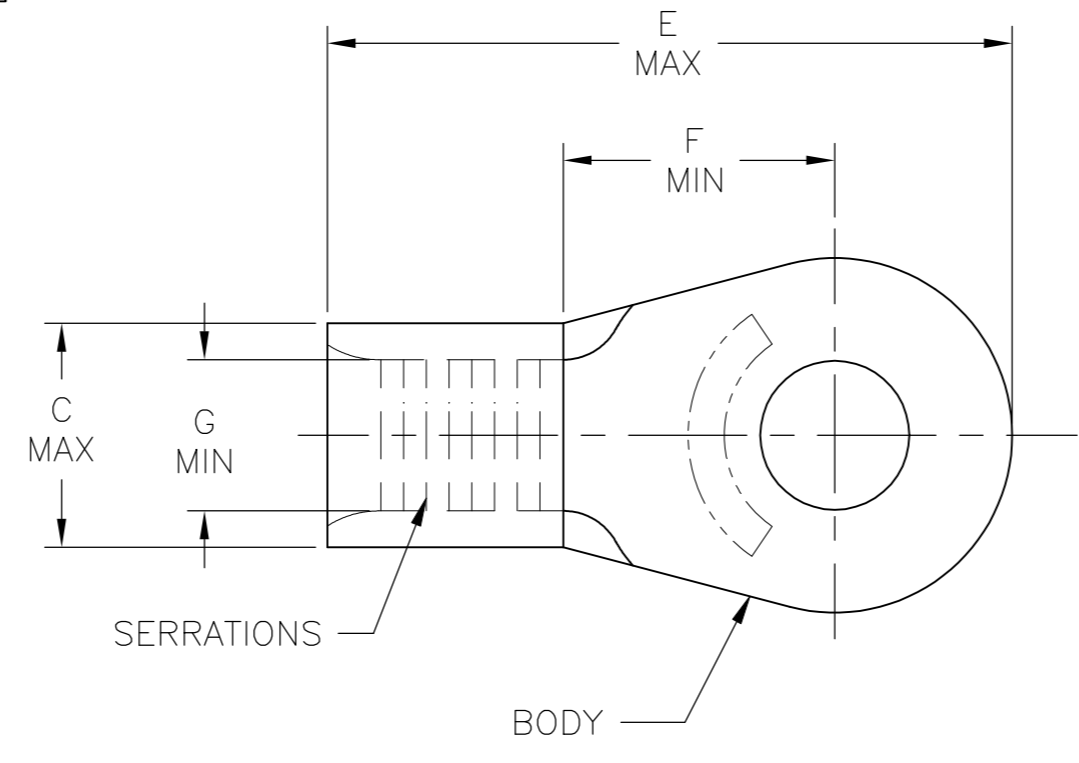
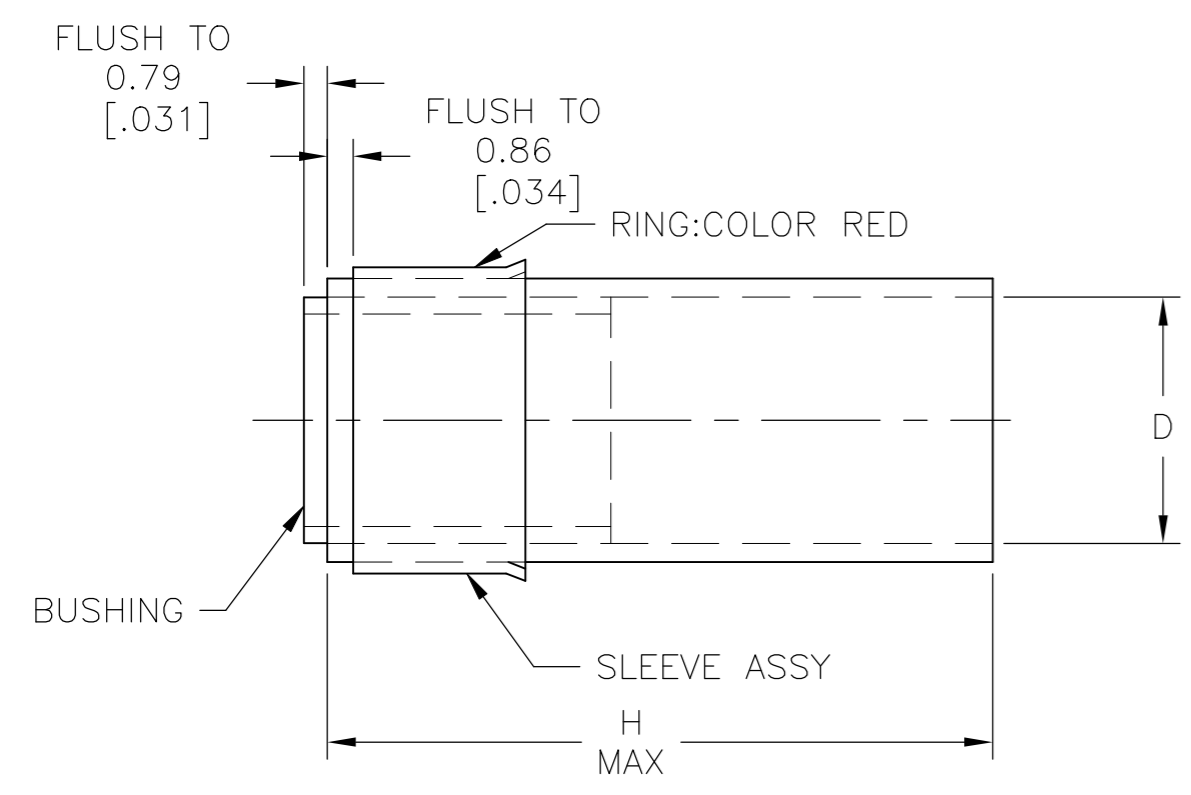
3

2

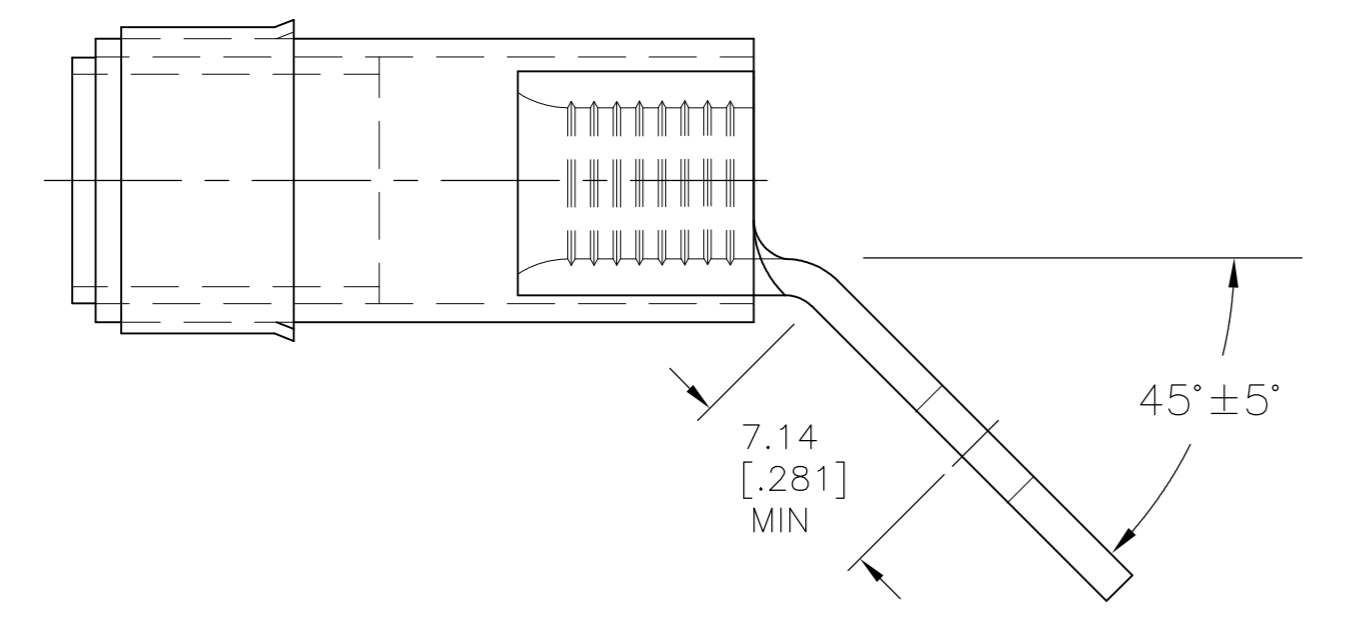
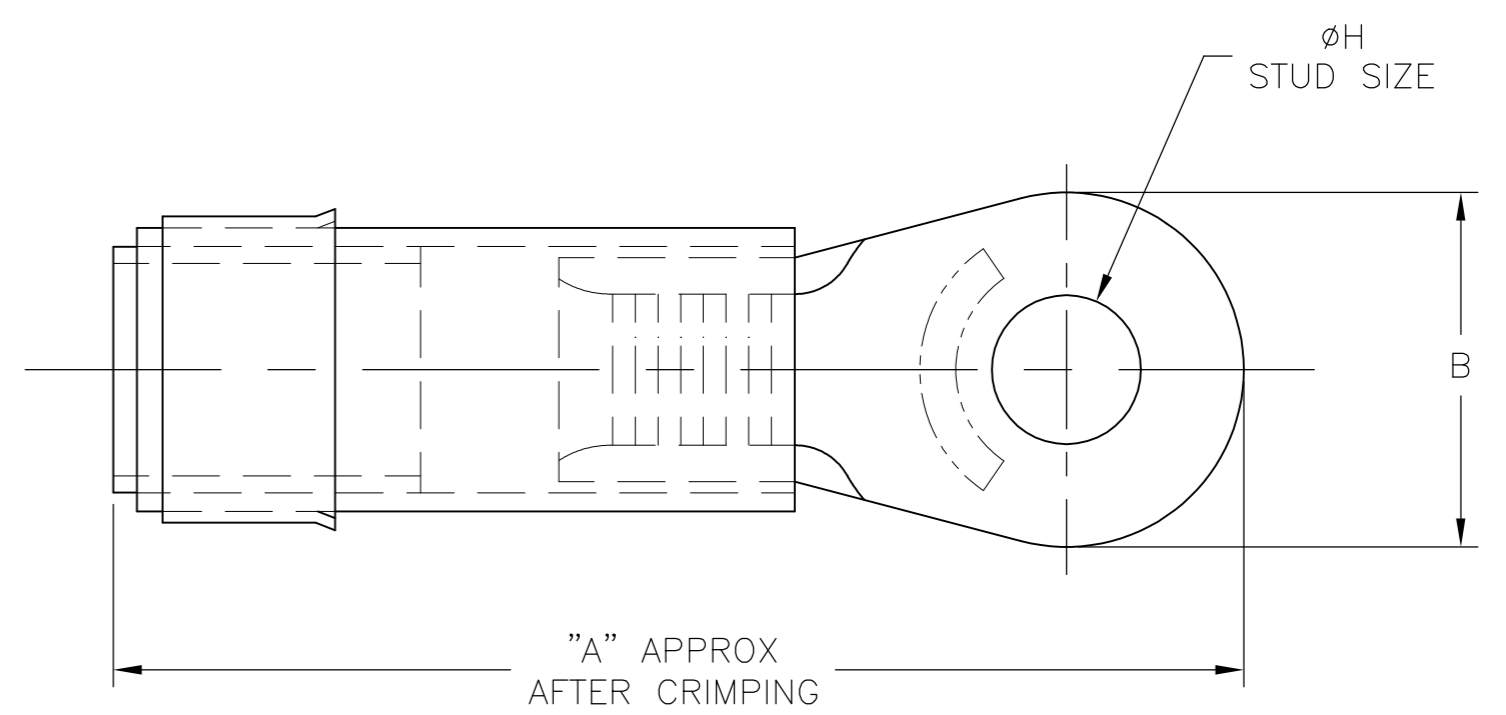
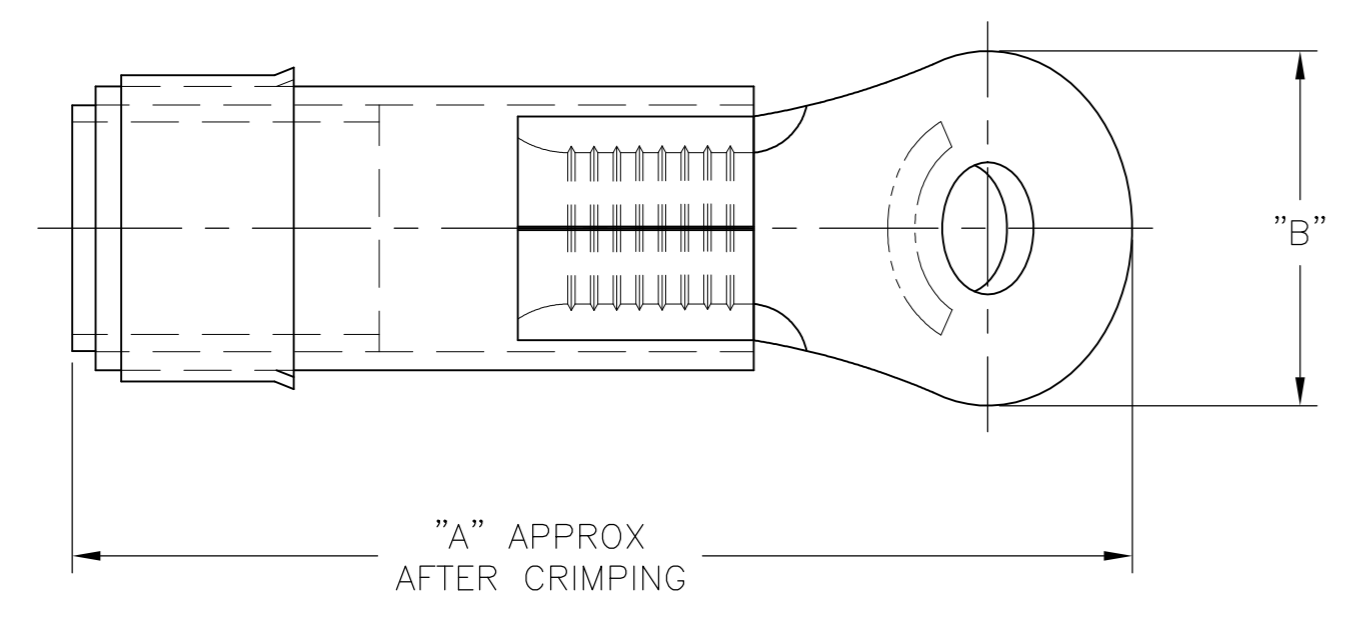
1

THIS DRAWING IS UNPUBLISHED. RELEASED FOR PUBLICATION. ALL RIGHTS RESERVED.

REVISIONS					
P	LTR	DESCRIPTION	DATE	DWN	APVD
J3		REVISED PER ECO-13-019174	06DEC2013	KH	DR
J4		REVISED PER ECO-17-016703	02APR2018	RS	DR



- 1 MATERIAL:  
TERMINAL: COPPER (ASTM B152)  
RING: ALUMINUM (ASTM B209)  
INSULATION: PTFE (ASTM D3295)
- 2 FINISH:  
GOLD PL ASTM B488 TYPE I 0.0013 [.000050]  
MIN THK OVER NICKEL PL (SAE AMS QQ-N-290)  
0.00076 [.000030] MIN EXT THK
- 3 FOR WIRE INS DIA SEE TABLE
- 4 TONGUE MATERIAL THK: 1.22±0.08 [.048±.003]
- 5 NOTE DELETED
- 6 NOTE DELETED



2	9.12 [.359]	23.72 [.934]	4.37 [.172]	7.52 [.296]	328601	1	22.35 [.880]	8.28 [.326]	5.46-6.48 [.215-.255]	329626	11.91 [.469]	39.62 [1.560]	5.00±0.08 [.197±.003]	10	8	329580
	F	E	G	C	BODY	BUSHING REQD	H	D	INSUL DIA	SLEEVE ASSY	B	A	ØH	STUD	SIZE	ASSY NO.

THIS DRAWING IS A CONTROLLED DOCUMENT.

DIMENSIONS: mm [INCHES]

TOLERANCES UNLESS OTHERWISE SPECIFIED:

0	PLC	± -
1	PLC	± -
2	PLC	± -
3	PLC	± 0.20 [.008]
4	PLC	± -
ANGLES		± -

MATERIAL: 1

FINISH: 2, 5

DWN: KIRAN HOLAL 13APR13  
CHK: ROHDE DANIEL 13APR13  
APVD: ROHDE DANIEL 13APR13

NAME: TE Connectivity Ltd.

PRODUCT SPEC: WIRE TERMINAL ASSY, POST INSULATED, STRATO-THERM HEAT RESISTANT, 8 AWG

APPLICATION SPEC: -

WEIGHT: -

RESTRICTED TO: -

SIZE: A2 CAGE CODE: 00779 DRAWING NO: 329580

CUSTOMER DRAWING SCALE: 4:1 SHEET: 1 of 1 REV: J4

单击下面可查看定价，库存，交付和生命周期等信息

[>>TE Connectivity\(泰科\)](#)