

REVISIONS

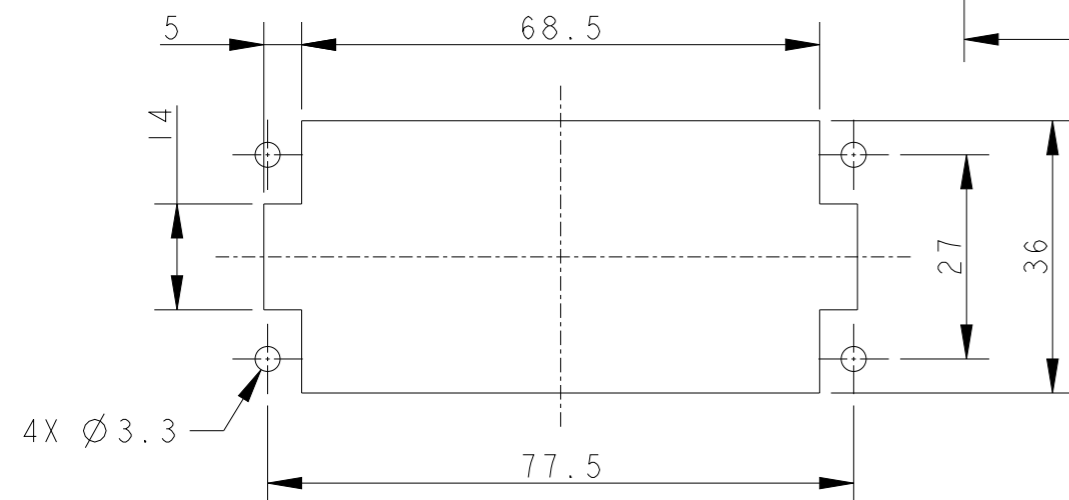
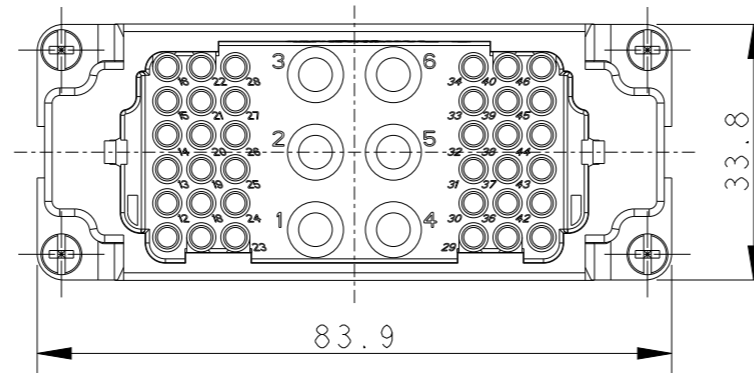
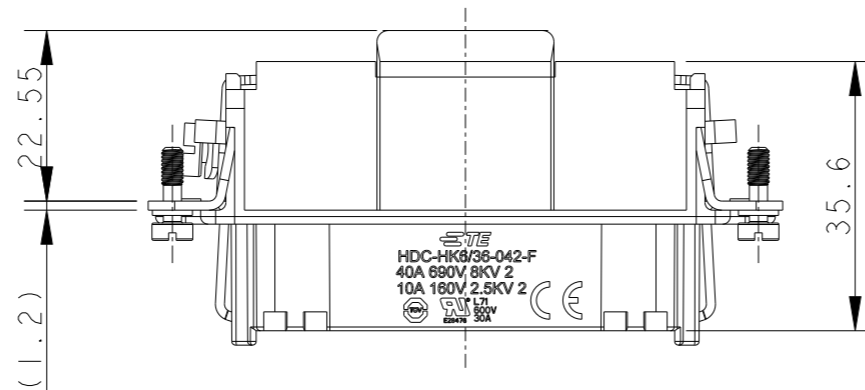
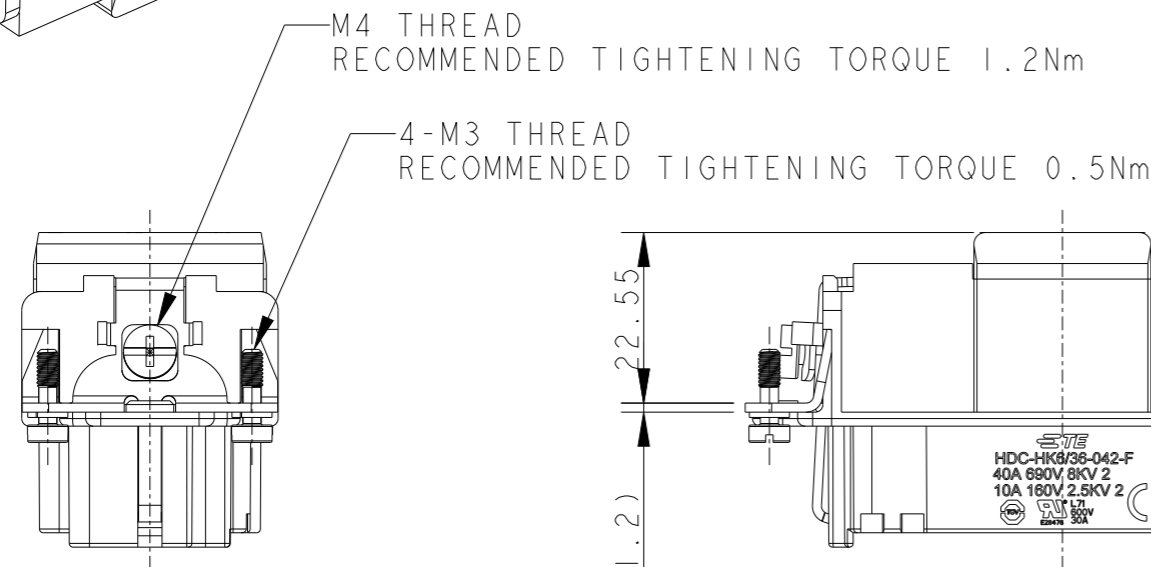
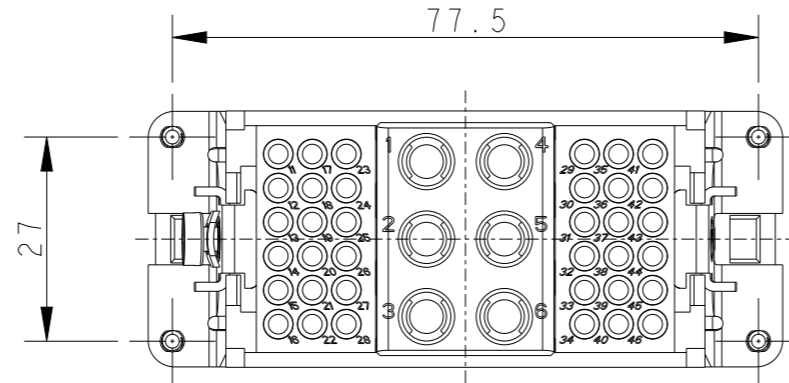
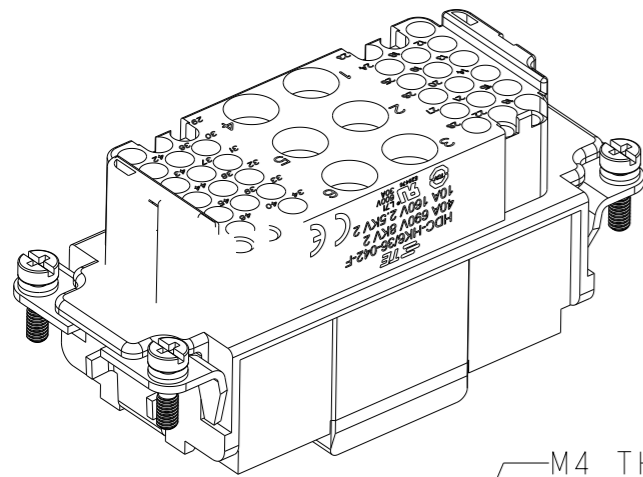
P	LTR	DESCRIPTION	DATE	DWN	APVD
A		INITIAL	22DEC2014	DW	CW
B		ECR-15-018481	23FEB2016	DW	CW
C		ECR-21-111798	10SEP2021	WQR	CW

NOTES:


- TECHNICAL CHARACTERISTICS:  
 INSULATION MATERIAL: PC  
 RATED VOLTAGE: POWER: 690 V; SIGNAL: 250V  
 RATED CURRENT: POWER: 40 A; SIGNAL: 10A  
 INSULATION RESISTANCE: >=400MΩ  
 RATED IMPULSE VOLTAGE: POWER: 8 KV; SIGNAL: 4 KV  
 POLLUTION DEGREE: 2  
 CONTACT RESISTANCE: POWER: <=1 mΩ; SIGNAL: <=5 mΩ  
 FLAMMABILITY: UL94V-0  
 MATING CYCLES: 500 CYCLES  
 OPERATION TEMPERATURE: -40-+125°C  
 WIRE RANGE: POWER: 1-6 mm<sup>2</sup> (18-10 AWG)  
 SIGNAL: 0.14-2.5 mm<sup>2</sup> (26-14 AWG)  
 CONTACT TYPE: CRIMP CONTACT
- CONTACT NEED TO BE ORDERED SEPARATELY.  
 (ORDER No. REFER TO DRAWING:  
 T20200X20XX000 FOR SIGNAL; T20400X20XX000 FOR POWER)

注释:

- 技术参数:  
 绝缘材料: PC  
 额定电压: 电源: 690 V; 信号: 250 V  
 额定电流: 电源: 40 A; 信号: 10 A  
 绝缘电阻: >=400MΩ  
 额定脉冲电压: 电源: 8 KV; 信号: 4 KV  
 污染等级: 2  
 接触电阻: 电源: <=1 mΩ; 信号: <=5 mΩ  
 阻燃等级: UL94V-0  
 插拔次数: 500次  
 工作温度: -40-+125°C  
 接线范围: 电源: 1-6 mm<sup>2</sup> (18-10 AWG)  
 信号: 0.14-2.5 mm<sup>2</sup> (26-14 AWG)  
 接线类型: 冷压接
- 端子需要单独订购。  
 (订货号参考图面: 信号端子:T20200X20XX000; 电源端子:T20400X20XX000)



T2120422201-000	HK6/36-042-F HK6/36-042 母插
PART NUMBER 料号	PART DESCRIPTION 描述

THIS DRAWING IS A CONTROLLED DOCUMENT.		DWN 22DEC2014 David Wang	 TE Connectivity				
DIMENSIONS: mm		CHK 22DEC2014 Chris Wang					
TOLERANCES UNLESS OTHERWISE SPECIFIED:		APVD 22DEC2014 Xiang Xu					
0 PLC ±- 1 PLC ±- 2 PLC ±- 3 PLC ±- 4 PLC ±- ANGLES ±- MATERIAL - FINISH -		NAME HK6/36-042-F					
MATERIAL		PRODUCT SPEC 108-137053	APPLICATION SPEC 114-137053	SIZE A3	CAGE CODE 00779	DRAWING NO T2120422201000	RESTRICTED TO -
Customer Drawing		WEIGHT -		SCALE 1:1	SHEET 1	OF 1	REV C

单击下面可查看定价，库存，交付和生命周期等信息

[>>TE Connectivity\(泰科\)](#)