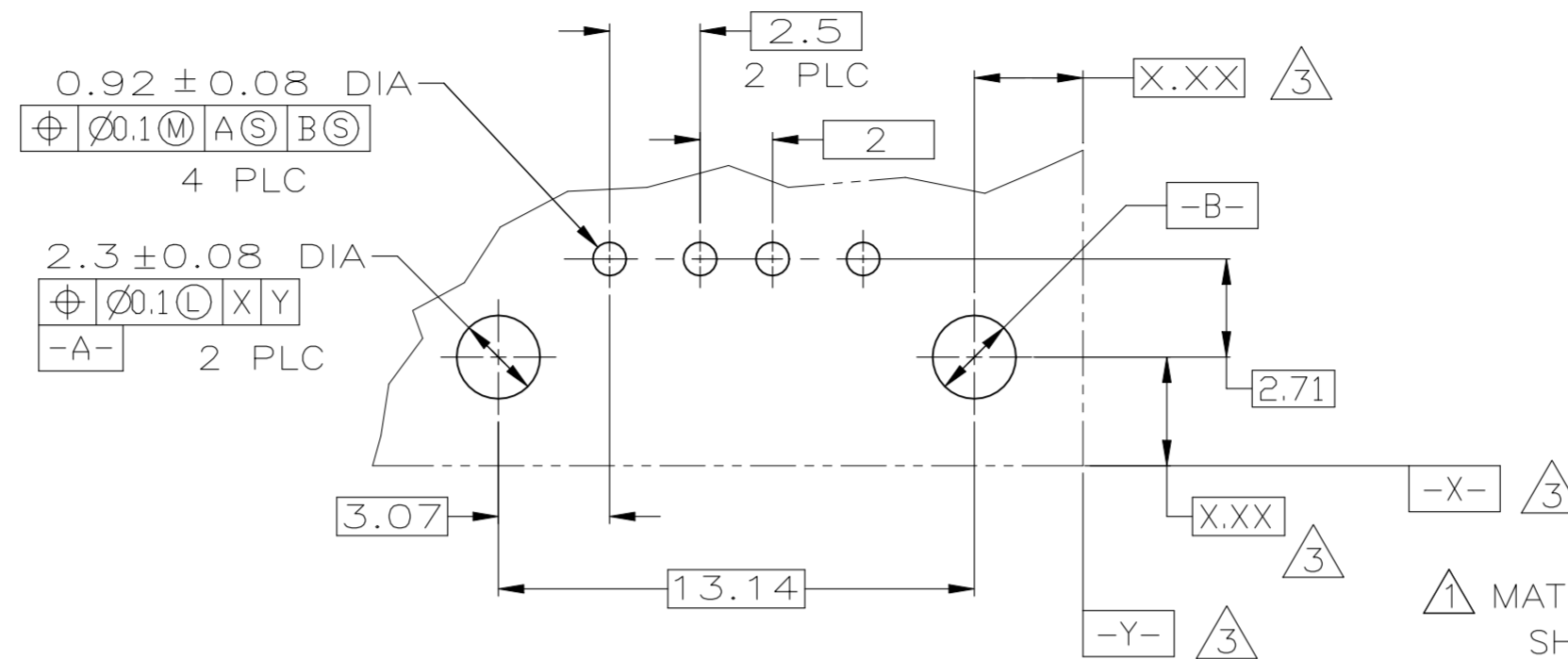
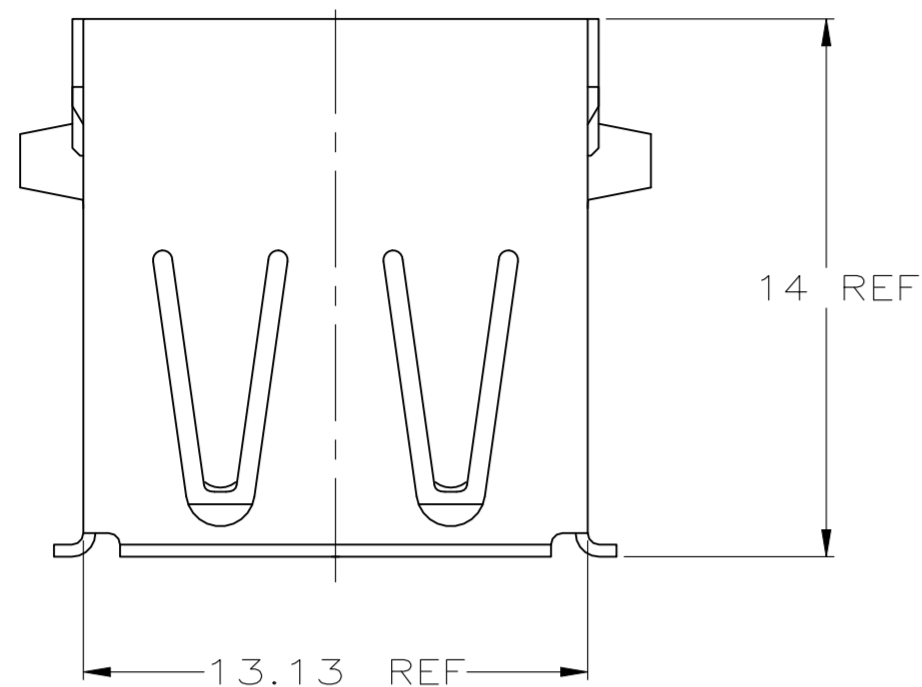
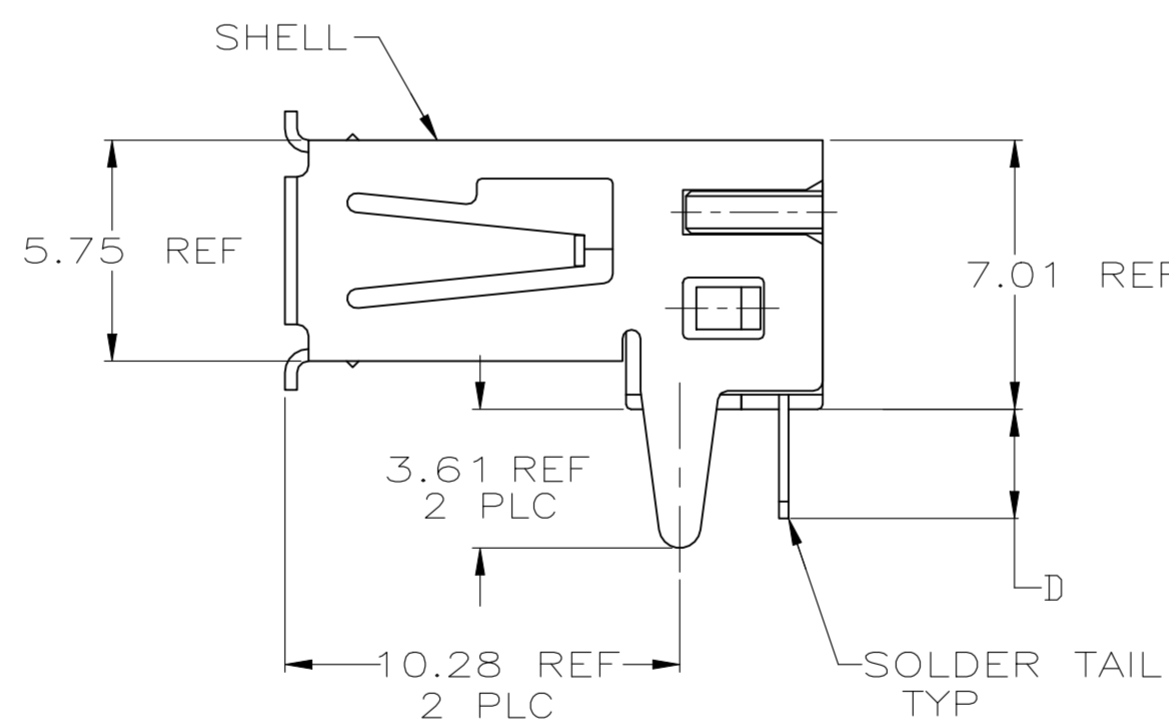
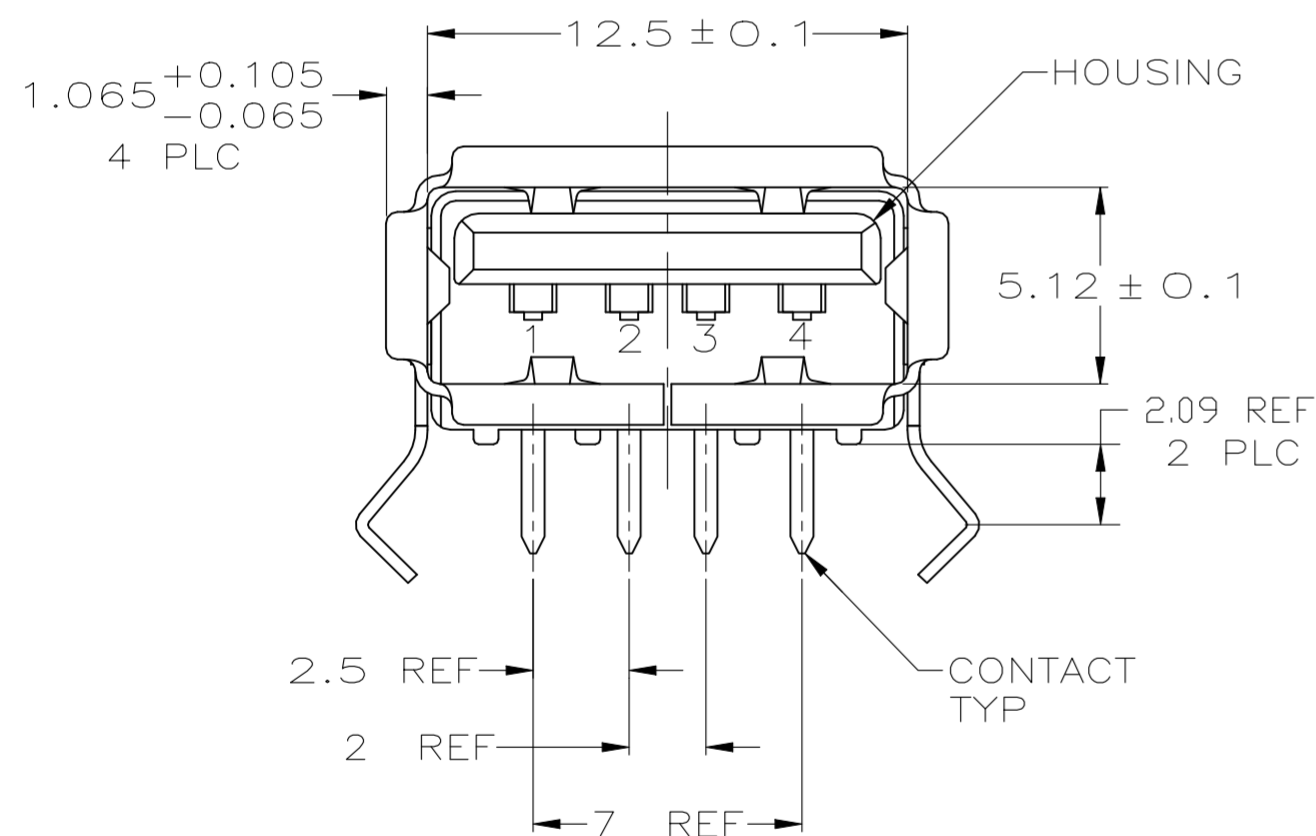


REVISIONS					
P	LTR	DESCRIPTION	DATE	DWN	APVD
G		REVISED PER ECN-21-125525	12NOV2021	AK	SZ



PC BOARD MOUNTING DIMENSIONS 4

- 1 MATERIAL:
SHELL: STAINLESS STEEL & CONTACTS- COPPER ALLOY.
HOUSING: UL 94V-0 RATED, THERMOPLASTIC, COLOR SEE TABLE.
- 2 PLATING:
CONTACTS: 0.076µm MINIMUM GOLD OVER 0.76µm MINIMUM PALLADIUM-NICKEL ON MATING AREA.
3.8µm MINIMUM MATTE TIN ON SOLDER TAILS.
BOTH OVER 1.27µm MINIMUM NICKEL.
CONTACT ALTERNATE PLATING: 0.76µm MIN GOLD ON MATING AREA, 3.80µm MIN MATTE TIN ON SOLDER TAILS, BOTH OVER 1.27µm MIN NICKEL.
SHELL: 2~5µm MINIMUM BRIGHT TIN
- 3 DATUM AND BASIC DIMENSIONS ESTABLISHED BY CUSTOMER.
- 4 RECOMMENDED PC BOARD THICKNESS OF 1.57 mm.
- 5 PLATING:
CONTACTS: 0.76µm MINIMUM PALLADIUM-NICKEL ON MATING AREA.
3.8µm MINIMUM MATTE TIN ON SOLDER TAILS.
BOTH OVER 1.27µm MINIMUM NICKEL.
SHELL: 2~5µm MINIMUM BRIGHT TIN

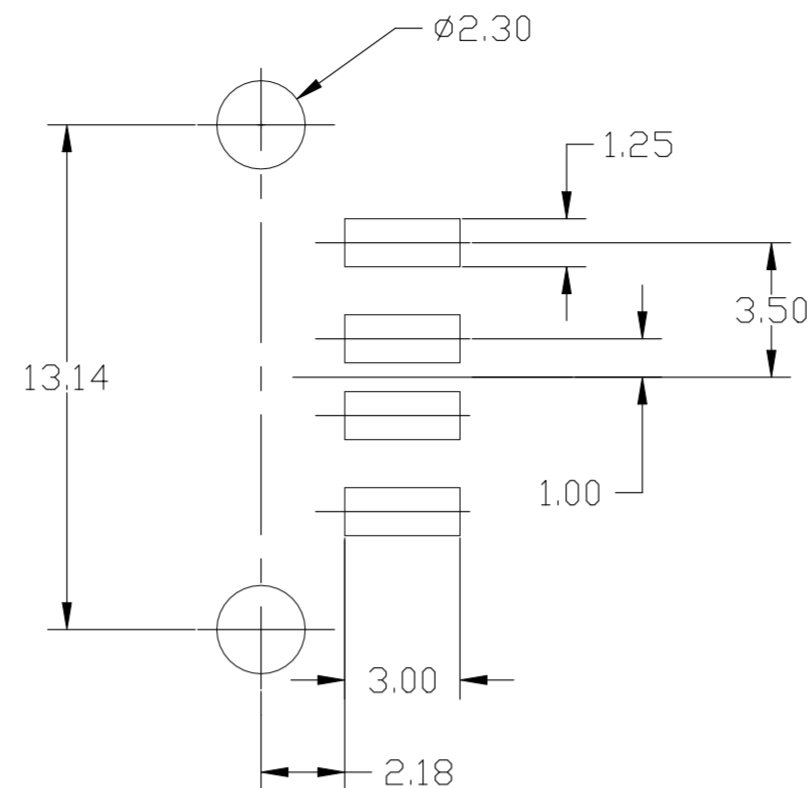
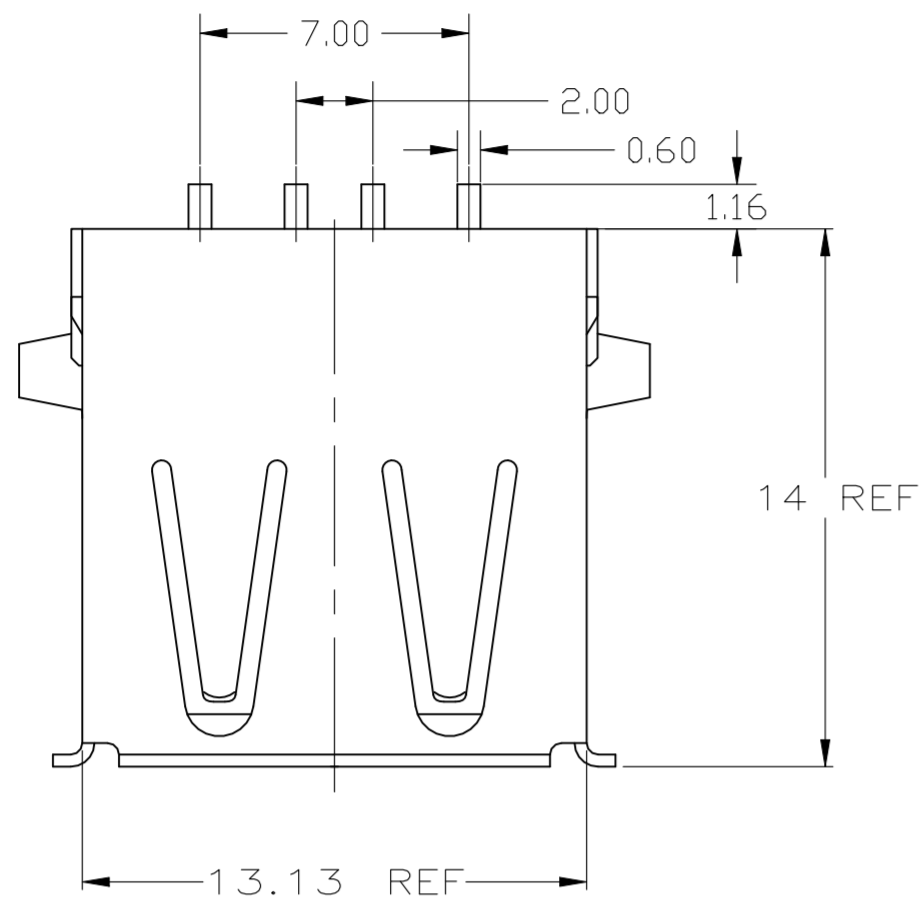


5	YES	2.84	BLACK	2-292303-0 (E9)
2	YES	2.29	BLACK	1-292303-9 (E8)
2	NO	3.81	BLACK	1-292303-5
2	NO	3.56	BLACK	1-292303-4
2	NO	3.20	BLACK	1-292303-3
2	YES	3.30	BLACK	1-292303-2
2	YES	2.29	BLACK	292303-6
2	YES	2.84	NATURAL	292303-5
2	YES	2.84	BLACK	292303-4
2	NO	2.84	NATURAL	292303-3
2	NO	2.29	BLACK	292303-2
2	NO	2.84	BLACK	292303-1
CONTACT PLATING	HIGH TEMPERATURE COMPATIBLE	D	HOUSING COLOR	PART NUMBER

THIS DRAWING IS A CONTROLLED DOCUMENT.

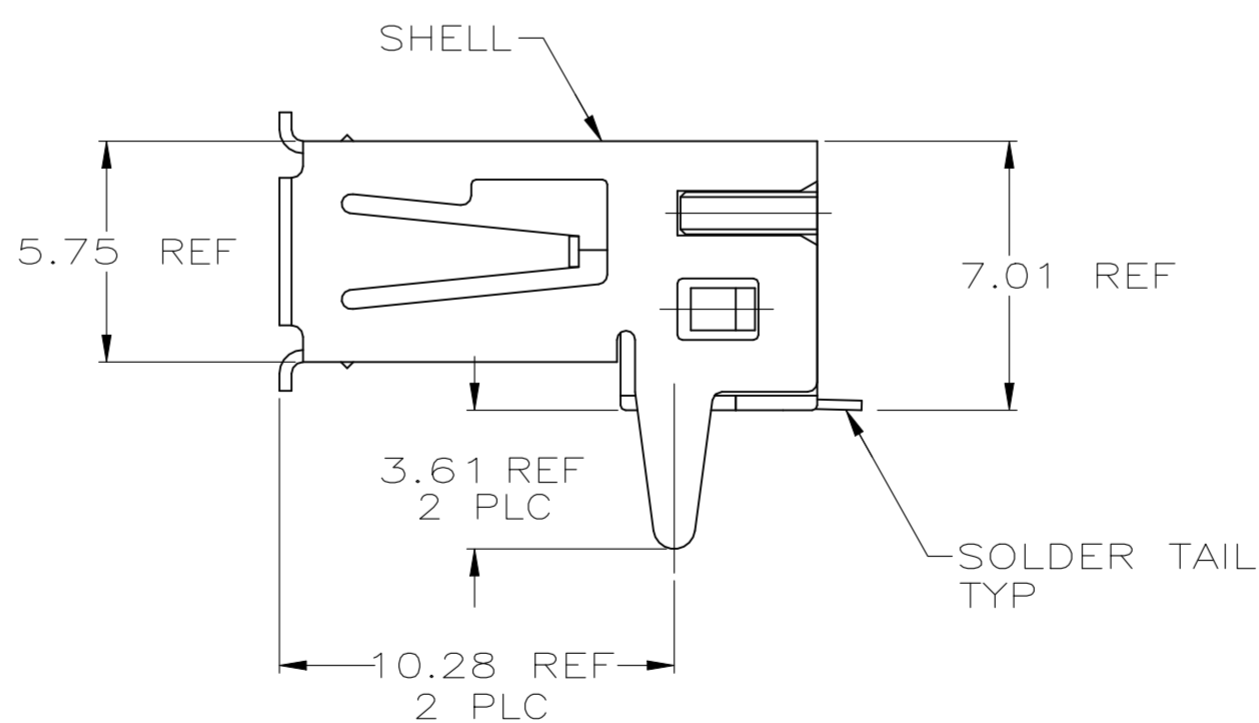
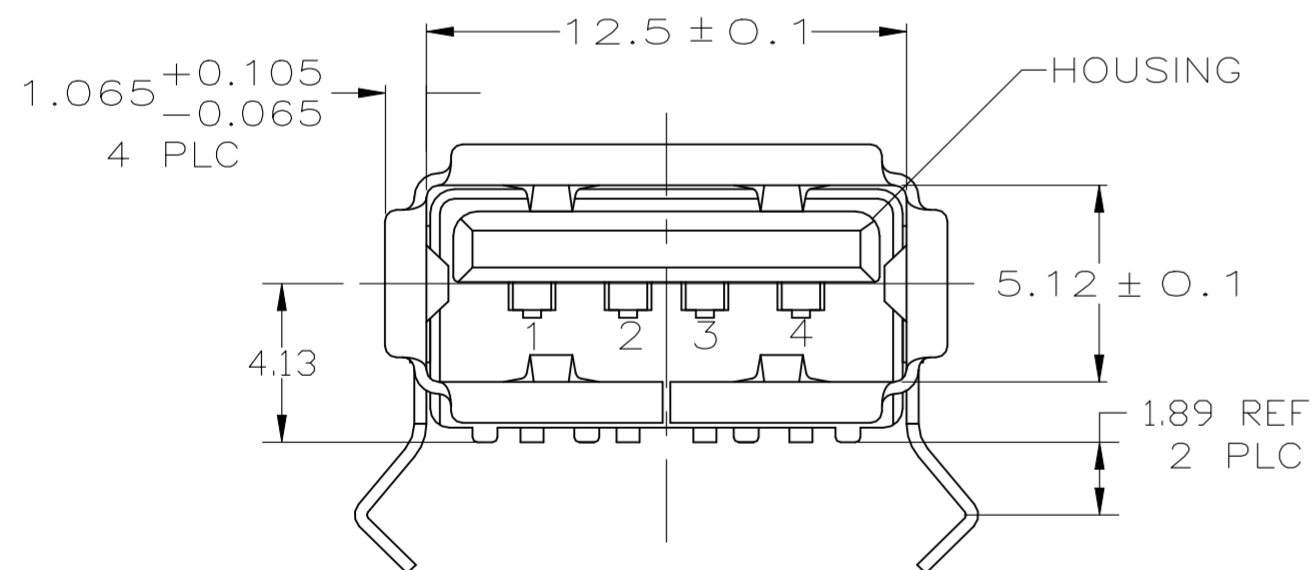
DIMENSIONS: mm	TOLERANCES UNLESS OTHERWISE SPECIFIED:	DWN J.JIANG 19FEB04	TE Connectivity Ltd.
	0 PLC ± -	CHK S.YAO 19FEB04	
	1 PLC ± -	APVD T.SASAKI 19FEB04	
	2 PLC ± 0.25	NAME	
MATERIAL 1	FINISH SEE TABLE	PRODUCT SPEC 108-60034	RECEPTACLE ASSEMBLY RIGHT ANGLE, 4 POSITION, T/H & SMT USB, LEAD FREE VERSION
		APPLICATION SPEC	SIZE A2
		WEIGHT -	CAGE CODE 00779
		CUSTOMER DRAWING	DRAWING NO C=292303
		SCALE 5:1	SHEET 1 OF 5
		REV G	RESTRICTED TO -

REVISIONS					
P	LTR	DESCRIPTION	DATE	DWN	APVD
-	-	SEE SHEET 1	-	-	-



- ⚠ MATERIAL:
SHELL:- STAINLESS STEEL & CONTACTS- COPPER ALLOY.
HOUSING: UL 94V-0 RATED, THERMOPLASTIC, COLOR SEE TABLE.
- ⚠ PLATING:
CONTACTS: 0.076 μm MINIMUM GOLD OVER 0.76 μm MINIMUM PALLADIUM-NICKEL ON MATING AREA.
3.8 μm MINIMUM MATTE TIN ON SOLDER TAILS.
BOTH OVER 1.27 μm MINIMUM NICKEL.
CONTACT ALTERNATE PLATING: 0.76μm MIN GOLD ON MATING AREA, 3.80 μm MIN MATTE TIN ON SOLDER TAILS, BOTH OVER 1.27 μm MIN NICKEL.
SHELL: 2~5 μm MINIMUM BRIGHT TIN
- ⚠ RECOMMENDED PC BOARD THICKNESS OF 1.42.

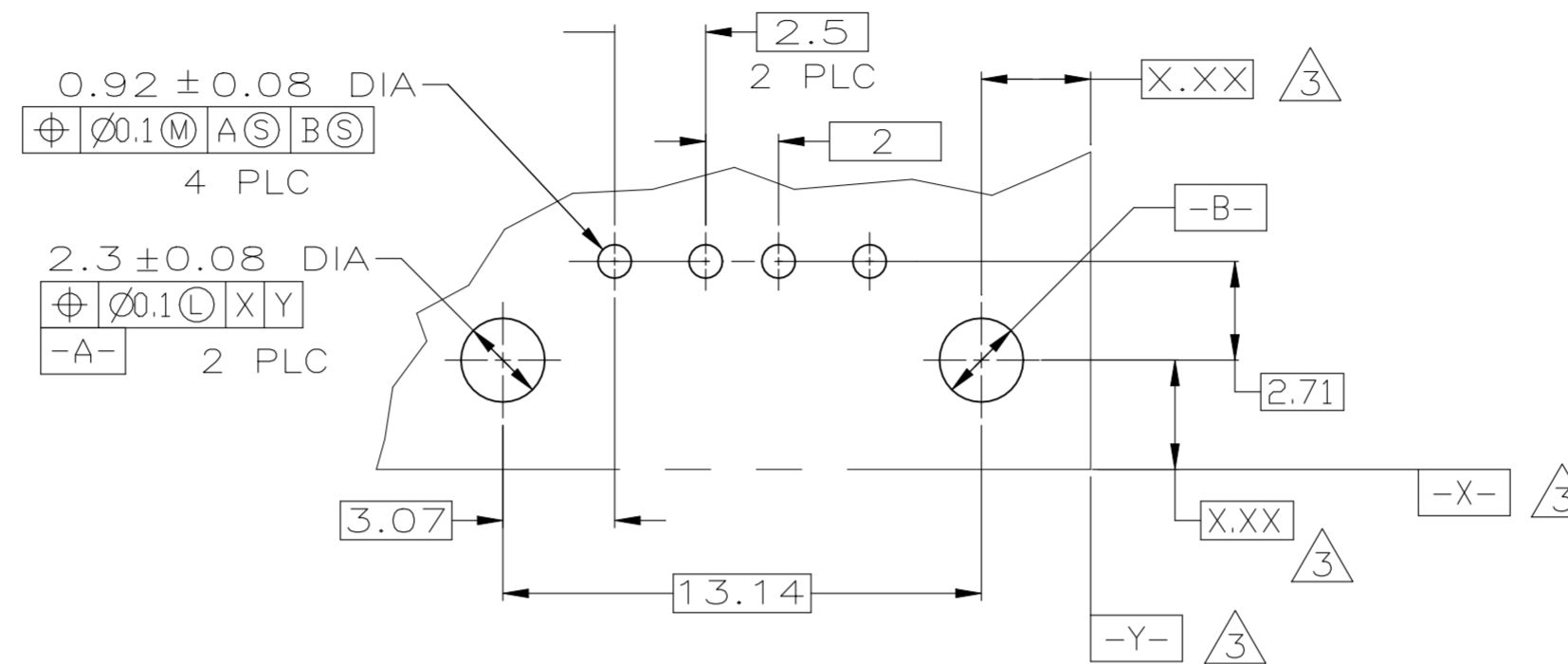
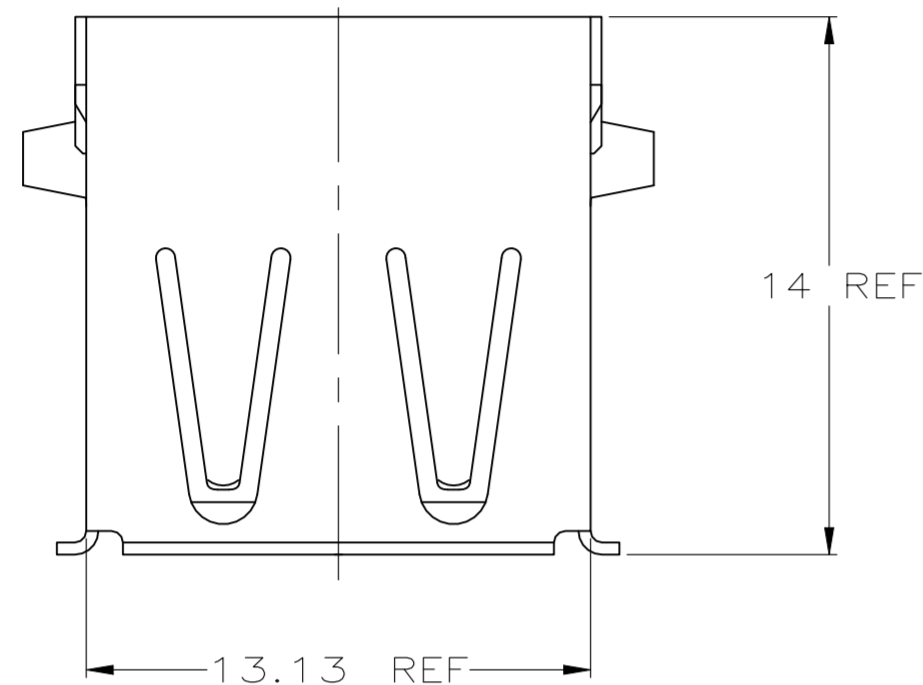
RECOMMENDED PC BOARD MOUNTING LAYOUT ⚠
(TOLERANCE=±0.05)



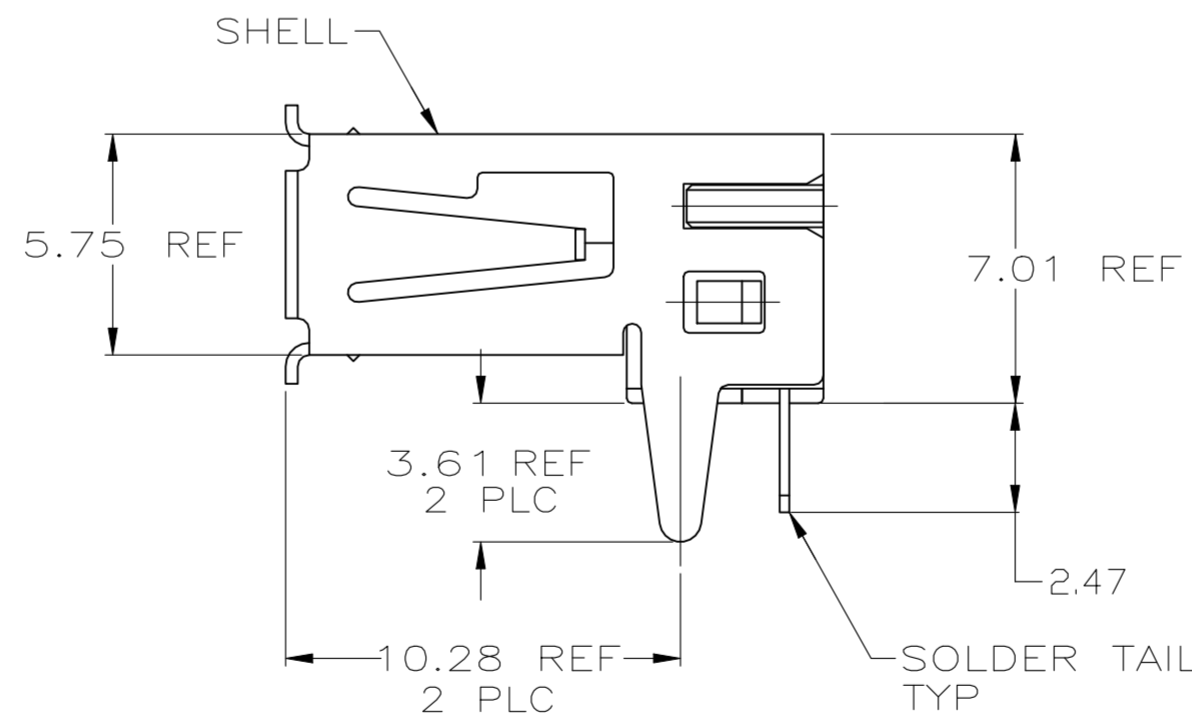
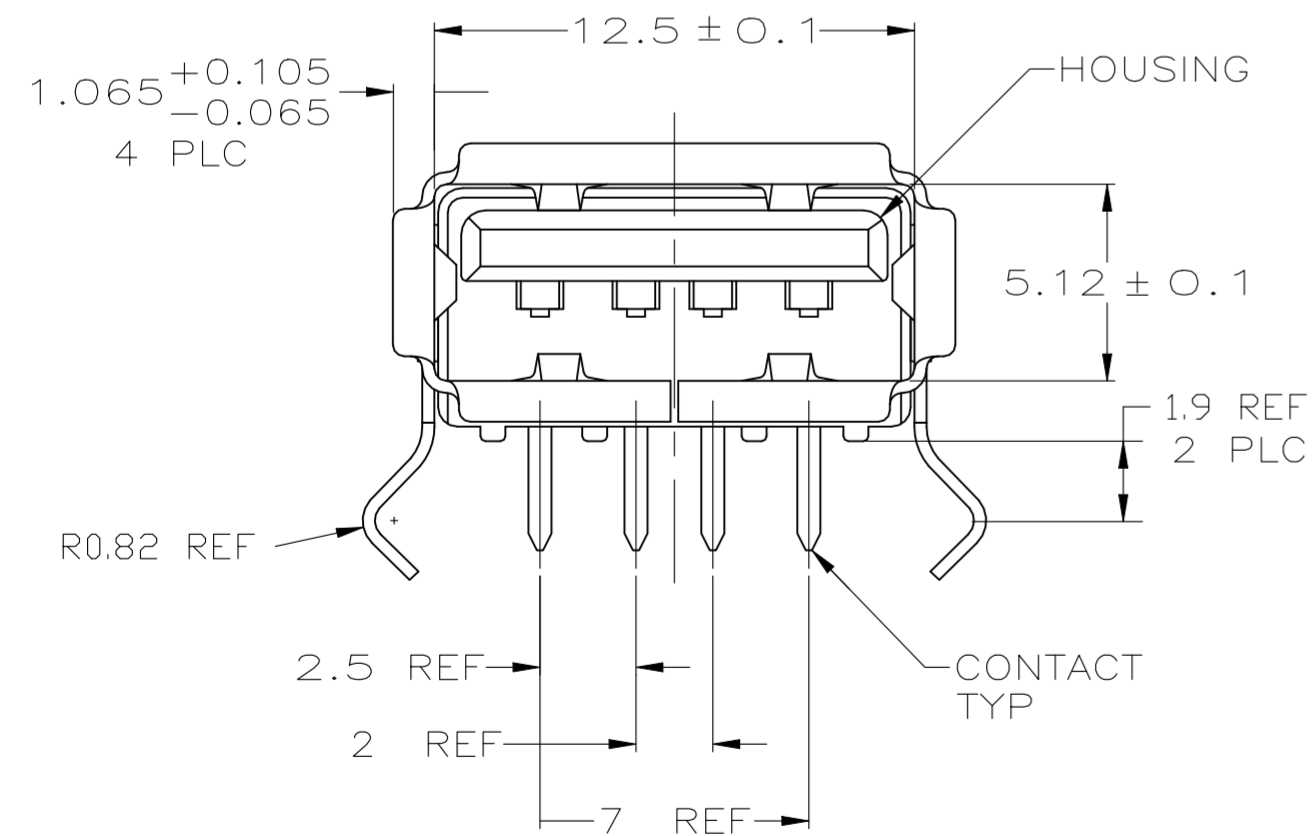
OBSELETE	YES	BLACK	3-292303-1 E10
	YES	BLACK	1-292303-1
	YES	NATURAL	292303-7
	HIGH TEMPERATURE COMPATIBLE	HOUSING COLOR	PART NUMBER

THIS DRAWING IS A CONTROLLED DOCUMENT.		DWN J.JIANG 19FEB04	TE Connectivity Ltd.	
DIMENSIONS: mm		CHK S.YAO 19FEB04		
TOLERANCES UNLESS OTHERWISE SPECIFIED:		APVD T.SASAKI 19FEB04	NAME RECEPTACLE ASSEMBLY RIGHT ANGLE, 4 POSITION, T/H & SMT USB, LEAD FREE VERSION	
0 PLC ± - 1 PLC ± - 2 PLC ± 0.25 3 PLC ± - 4 PLC ± - ANGLES ± -		PRODUCT SPEC 108-60034	SIZE A2	CAGE CODE 00779
MATERIAL ⚠		FINISH ⚠	DRAWING NO C=292303	RESTRICTED TO -
CUSTOMER DRAWING		WEIGHT -	SCALE 5:1	SHEET 2 of 5
			REV G	

REVISIONS					
P	LTR	DESCRIPTION	DATE	DWN	APVD
-	-	SEE SHEET 1	-	-	-



PC BOARD MOUNTING DIMENSIONS 4



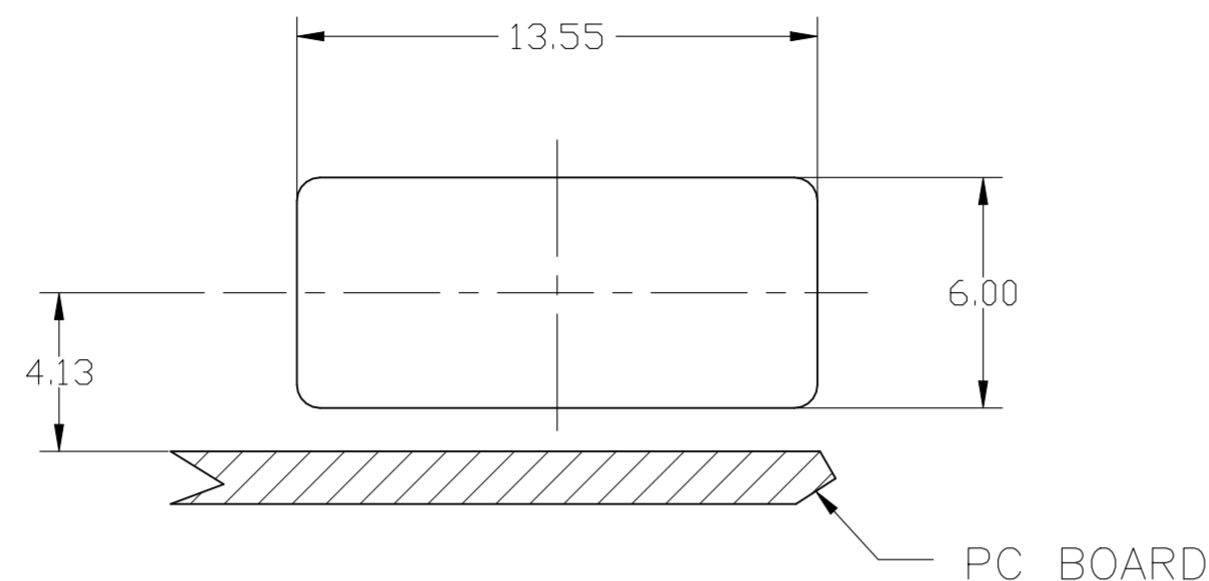
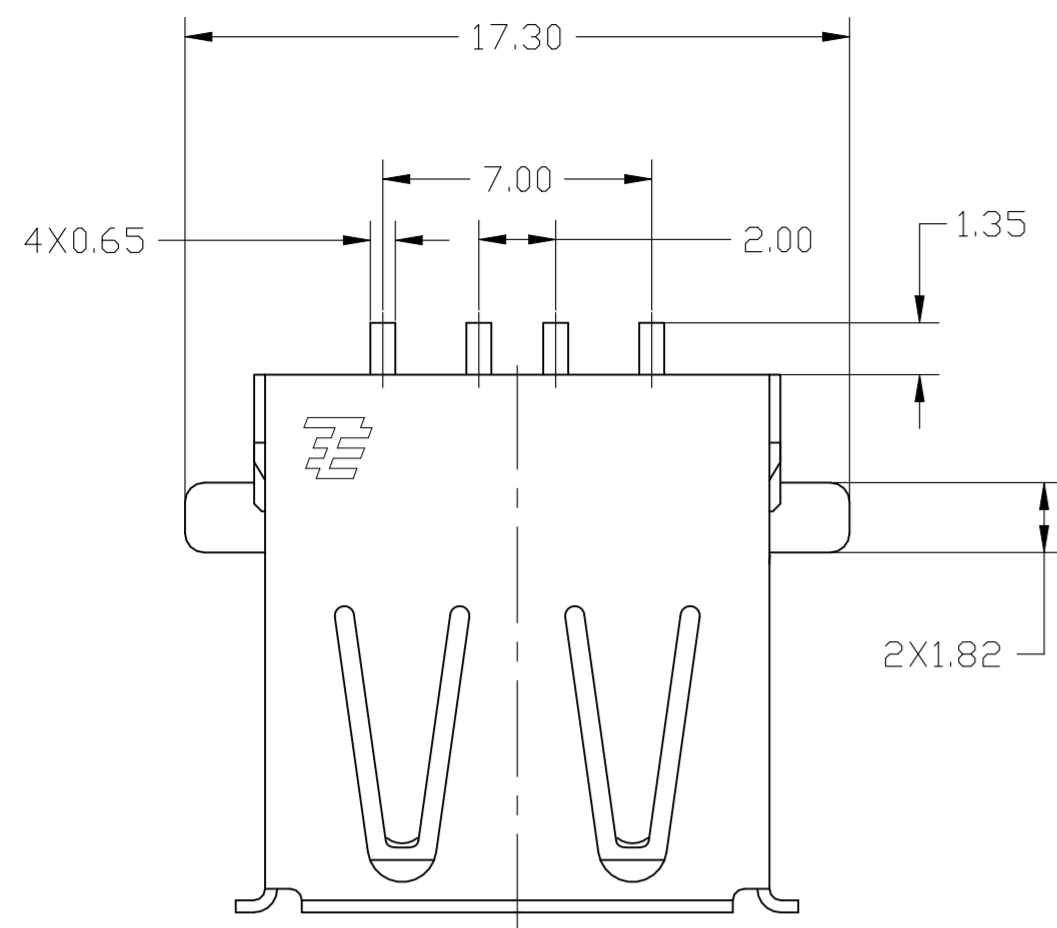
- 1 MATERIAL:
SHELL:- STAINLESS STEEL & CONTACTS- COPPER ALLOY.
HOUSING: UL 94V-0 RATED, THERMOPLASTIC, COLOR SEE TABLE.
- 2 PLATING:
CONTACTS: 0.076 μm MINIMUM GOLD OVER 0.76 μm MINIMUM PALLADIUM-NICKEL ON MATING AREA.
3.8 μm MINIMUM MATTE TIN ON SOLDER TAILS.
BOTH OVER 1.27 μm MINIMUM NICKEL.
CONTACT ALTERNATE PLATING: 0.76 μm MIN GOLD ON MATING AREA, 3.80 μm MIN MATTE TIN ON SOLDER TAILS, BOTH OVER 1.27 μm MIN NICKEL.
SHELL: 2~5 μm MINIMUM BRIGHT TIN
- 3 DATUM AND BASIC DIMENSIONS ESTABLISHED BY CUSTOMER.
- 4 RECOMMENDED PC BOARD THICKNESS OF 1.2.

NO	NATURAL	292303-8
HIGH TEMPERATURE COMPATIBLE	HOUSING COLOR	PART NUMBER
TE TE Connectivity Ltd.		
RECEPTACLE ASSEMBLY RIGHT ANGLE, 4 POSITION, T/H & SMT USB, LEAD FREE VERSION		
SIZE	CAGE CODE	DRAWING NO
A2	00779	C=292303
RESTRICTED TO	SCALE	SHEET
-	5:1	3 of 5
CUSTOMER DRAWING	REV	G

THIS DRAWING IS A CONTROLLED DOCUMENT.	
DIMENSIONS:	TOLERANCES UNLESS OTHERWISE SPECIFIED:
mm	0 PLC ± -
	1 PLC ± -
	2 PLC ± 0.25
	3 PLC ± -
	4 PLC ± -
	ANGLES ± -
MATERIAL	FINISH
1	2

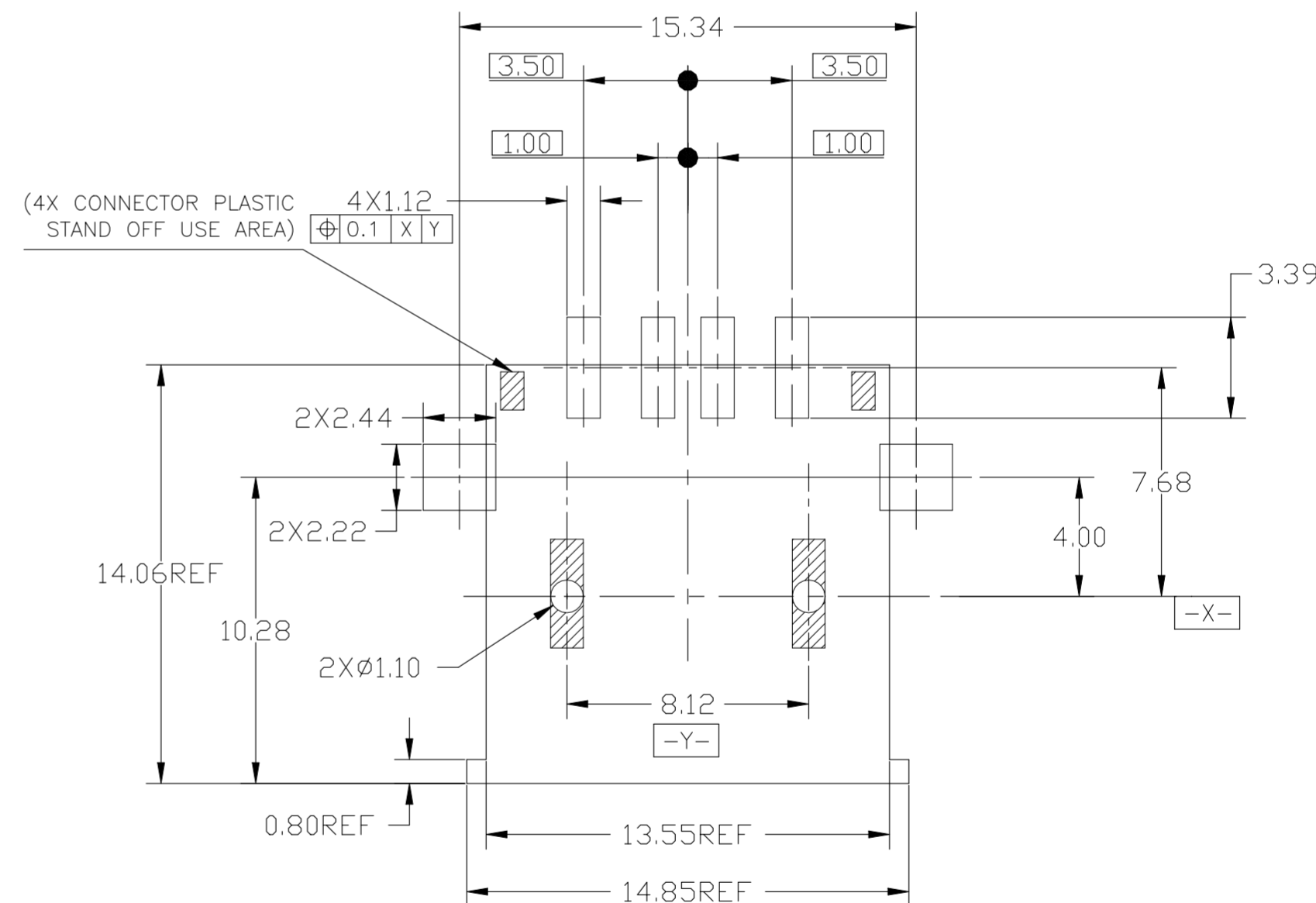
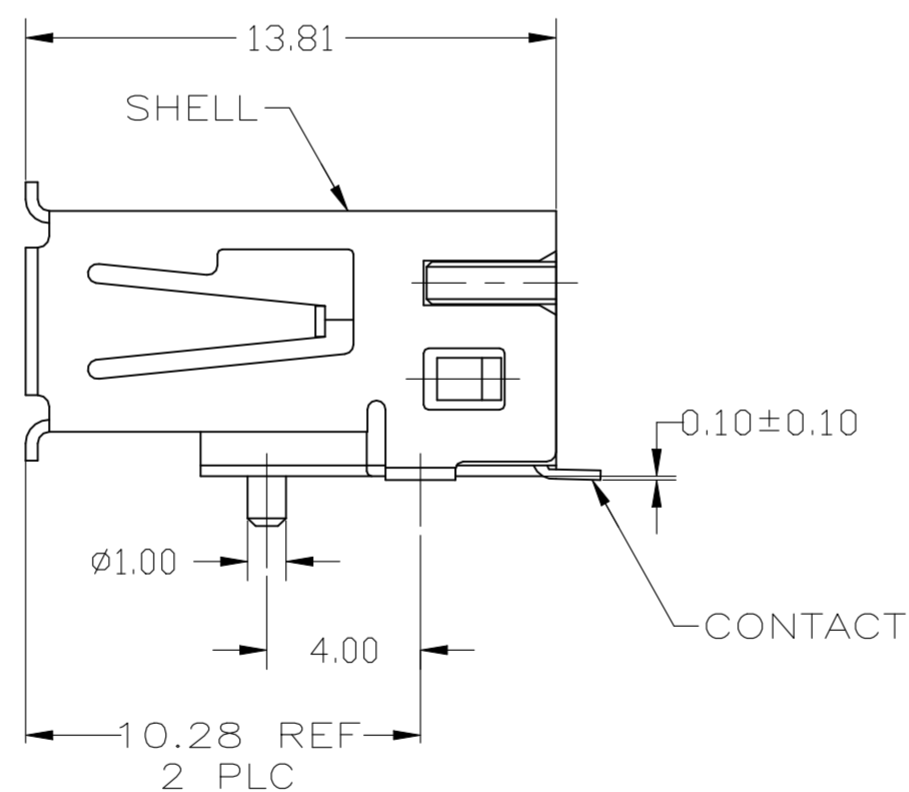
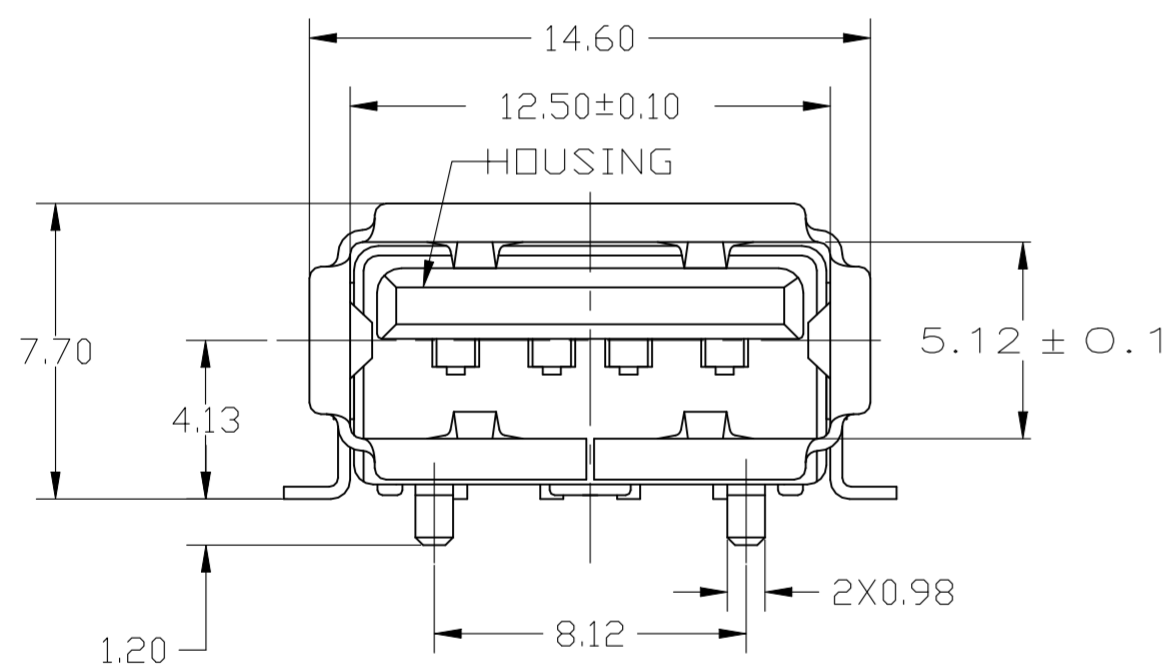
DWN	19FEB04
J.JIANG	
CHK	19FEB04
S.YAO	
APVD	19FEB04
T.SASAKI	
PRODUCT SPEC	
108-60034	
APPLICATION SPEC	
WEIGHT	-

REVISIONS					
P	LTR	DESCRIPTION	DATE	DWN	APVD
-	-	SEE SHEET 1	-	-	-



RECOMMENDED MOUNTING PANEL CUTOUT

- ⚠ MATERIAL:
SHELL:- STAINLESS STEEL & CONTACTS- COPPER ALLOY.
HOUSING: UL 94V-0 RATED, THERMOPLASTIC, COLOR SEE TABLE.
- ⚠ PLATING:
CONTACTS: 0.076 μm MINIMUM GOLD OVER 0.76 μm MINIMUM PALLADIUM-NICKEL ON MATING AREA.
3.8 μm MINIMUM MATTE TIN ON SOLDER TAILS.
BOTH OVER 1.27 μm MINIMUM NICKEL.
CONTACT ALTERNATE PLATING: 0.76 μm MIN GOLD ON MATING AREA, 3.80 μm MIN MATTE TIN ON SOLDER TAILS, BOTH OVER 1.27 μm MIN NICKEL.
SHELL: 2~5 μm MINIMUM BRIGHT TIN
- ⚠ PANEL IS NEEDED FOR CUSTOMER.

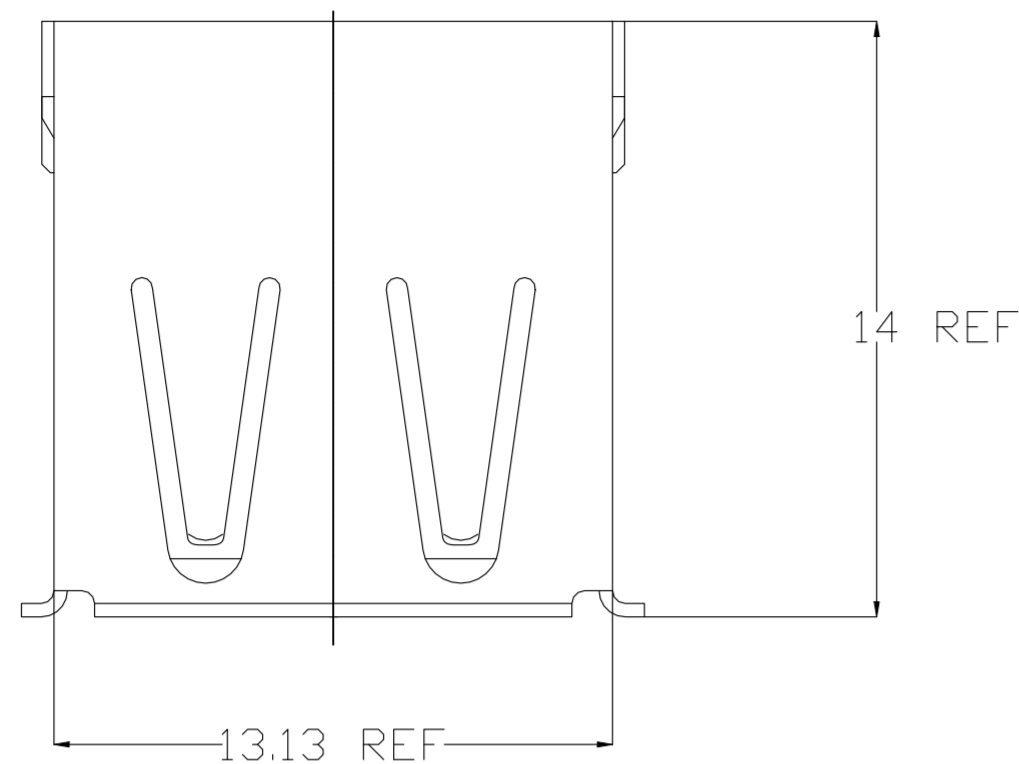


RECOMMENDED PC BOARD MOUNTING LAYOUT (TOLERANCE=±0.05)

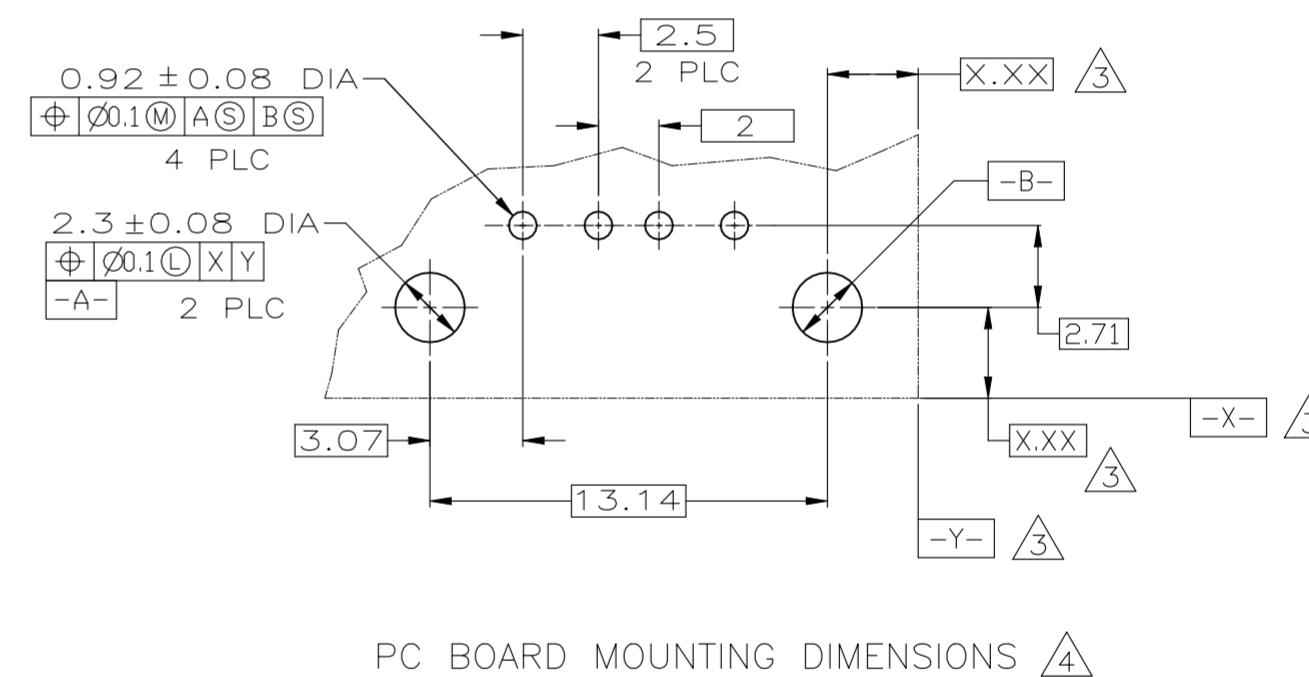
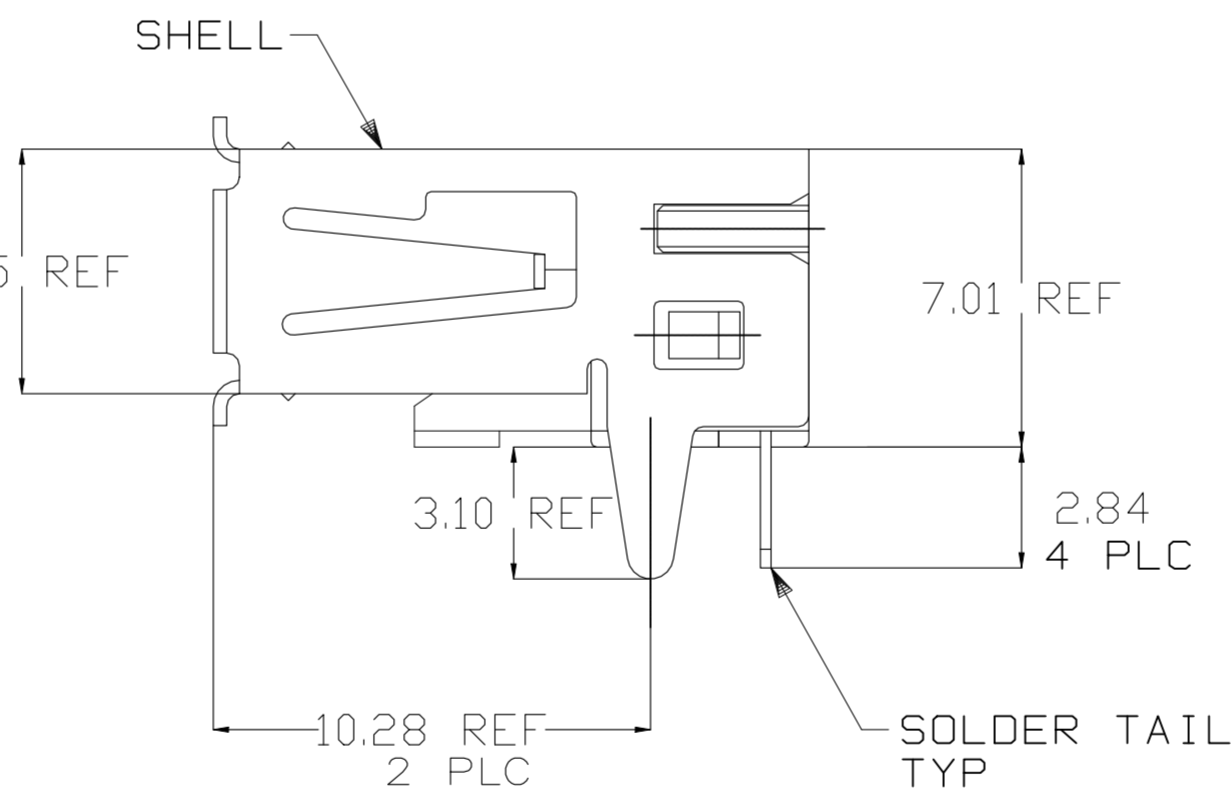
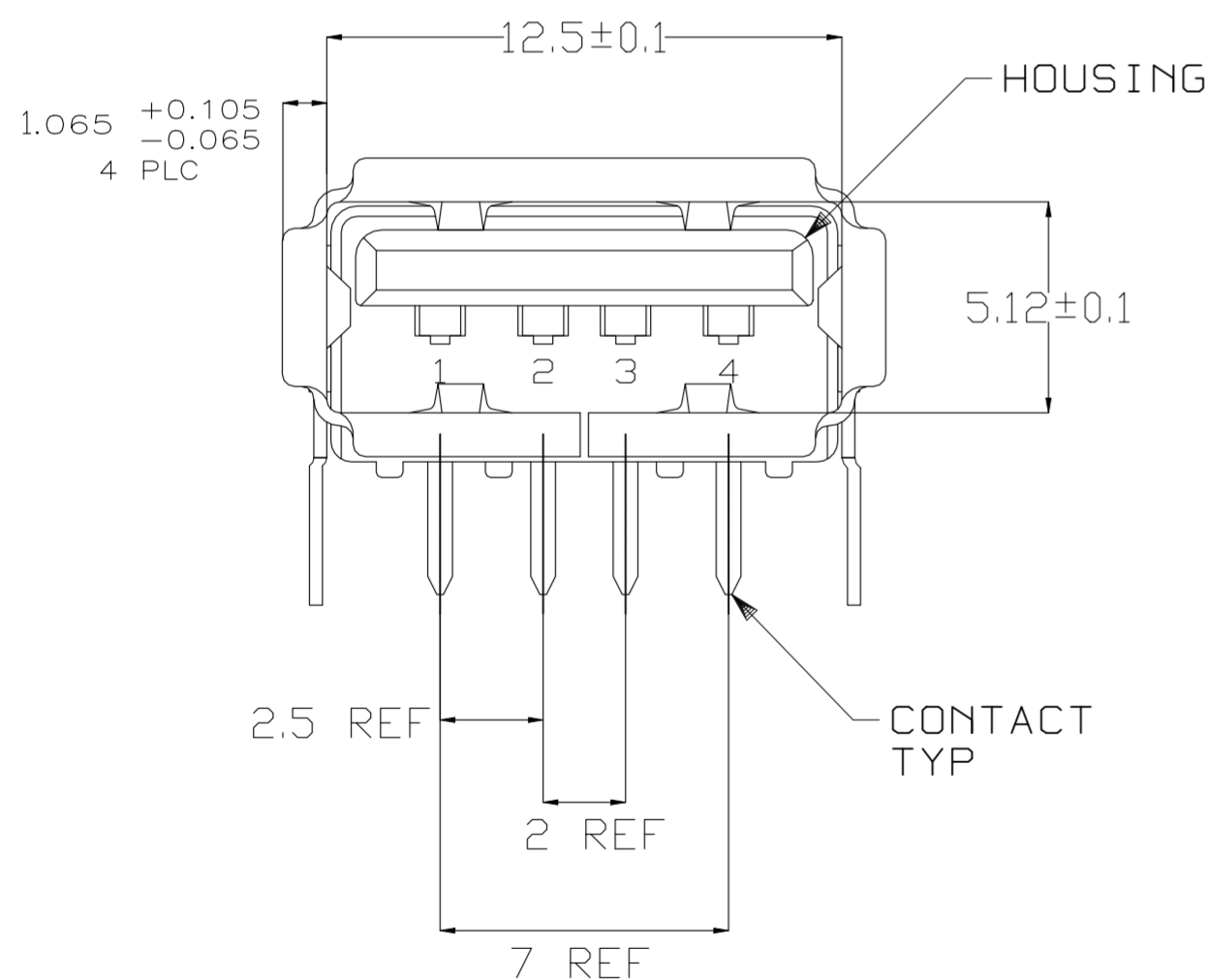
YES	BLACK	1-292303-6
YES	NATURAL	292303-9
HIGH TEMPERATURE COMPATIBLE	HOUSING COLOR	PART NUMBER

THIS DRAWING IS A CONTROLLED DOCUMENT.		DWN J.JIANG 19FEB04	TE Connectivity Ltd.	
DIMENSIONS: mm		CHK S.YAO 19FEB04		
TOLERANCES UNLESS OTHERWISE SPECIFIED:		APVD T.SASAKI 19FEB04	NAME RECEPTACLE ASSEMBLY RIGHT ANGLE, 4 POSITION, T/H & SMT USB, LEAD FREE VERSION	
0 PLC ± - 1 PLC ± - 2 PLC ± 0.25 3 PLC ± - 4 PLC ± - ANGLES ± -		PRODUCT SPEC 108-60034	SIZE A2	CAGE CODE 00779
MATERIAL		FINISH	DRAWING NO C=292303	RESTRICTED TO
⚠ MATERIAL ⚠ FINISH		WEIGHT -	SCALE 5:1	SHEET 4 of 5
CUSTOMER DRAWING		REV G		

REVISIONS					
P	LTR	DESCRIPTION	DATE	DWN	APVD
-	-	SEE SHEET 1	-	-	-



- ① MATERIAL:
SHELL: STAINLESS STEEL & CONTACTS- COPPER ALLOY.
HOUSING: UL 94V-0 RATED, THERMOPLASTIC, COLOR SEE TABLE.
- ② PLATING:
CONTACTS: 0.076μm MINIMUM GOLD OVER 0.76μm MINIMUM PALLADIUM-NICKEL ON MATING AREA.
3.8μm MINIMUM MATTE TIN ON SOLDER TAILS.
BOTH OVER 1.27μm MINIMUM NICKEL.
CONTACT ALTERNATE PLATING: 0.76μm MIN GOLD ON MATING AREA, 3.80μm MIN MATTE TIN ON SOLDER TAILS, BOTH OVER 1.27μm MIN NICKEL.
SHELL: MINIMUM BRIGHT TIN OVER MIN NICKEL.
- ③ DATUM AND BASIC DIMENSIONS ESTABLISHED BY CUSTOMER.
- ④ RECOMMENDED PC BOARD THICKNESS OF 1.57 mm.



OBSOLETE

YES	BLACK	2-292303-1
HIGH TEMPERATURE COMPATIBLE	HOUSING COLOR	PART NUMBER
TE TE Connectivity Ltd.		
RECEPTACLE ASSEMBLY RIGHT ANGLE, 4 POSITION, T/H & SMT USB, LEAD FREE VERSION		
SIZE	CAGE CODE	DRAWING NO
A2	00779	C=292303
SCALE	SHEET	REV
5:1	5 of 5	G

THIS DRAWING IS A CONTROLLED DOCUMENT.		DWN	J.JIANG	19FEB04
		CHK	S.YAO	19FEB04
		APVD	T.SASAKI	19FEB04
		PRODUCT SPEC	108-60034	
		APPLICATION SPEC	-	
		WEIGHT	-	
CUSTOMER DRAWING		SCALE	5:1	SHEET
			5 of 5	REV
				G

单击下面可查看定价，库存，交付和生命周期等信息

[>>TE Connectivity\(泰科\)](#)