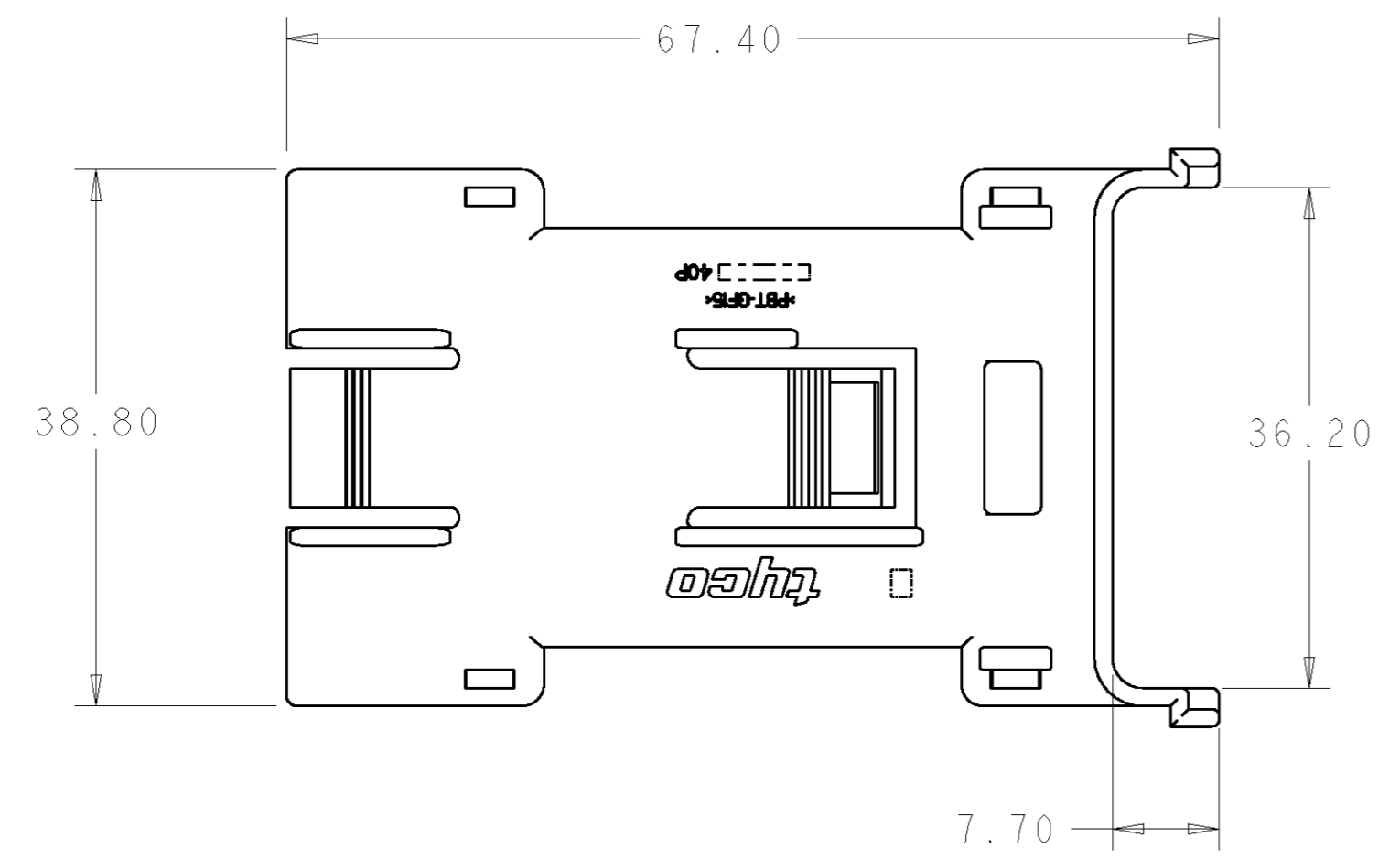
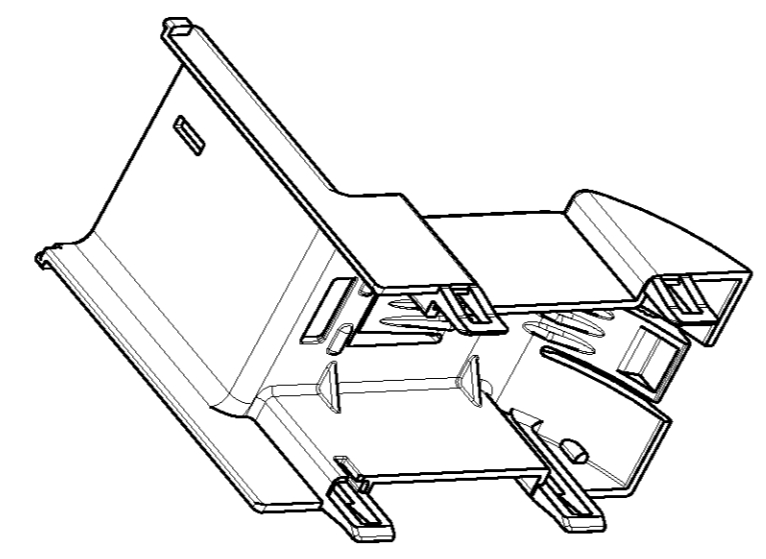
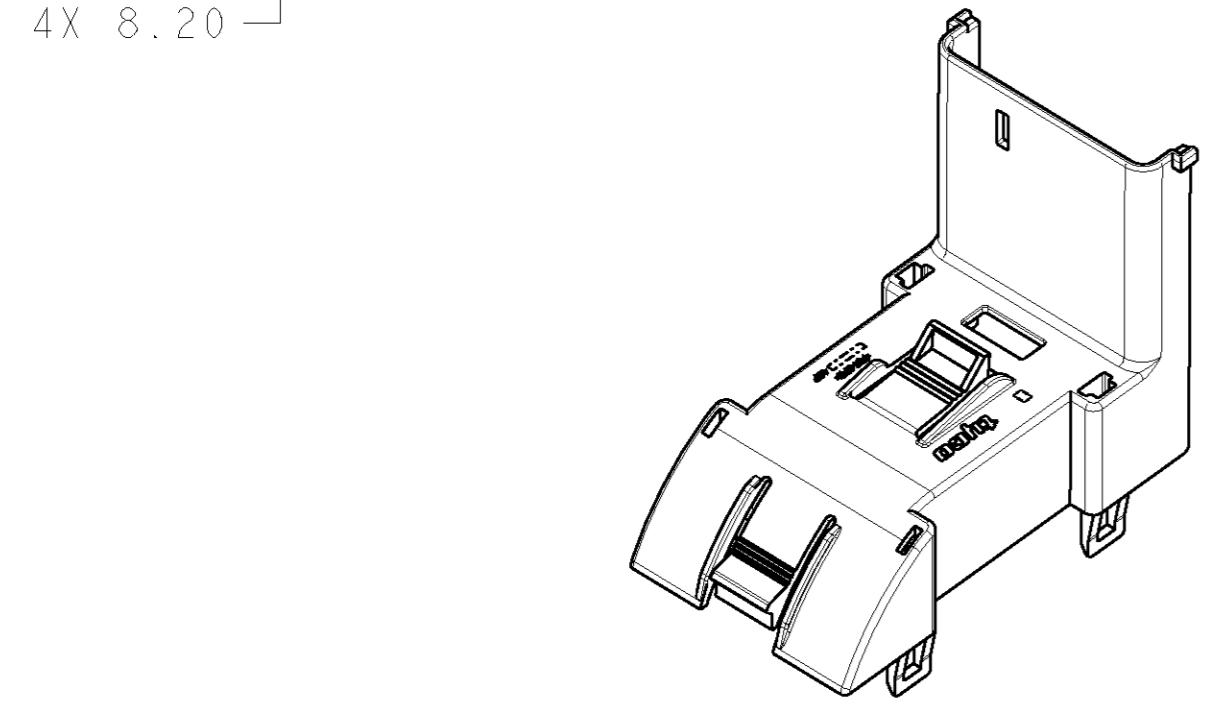
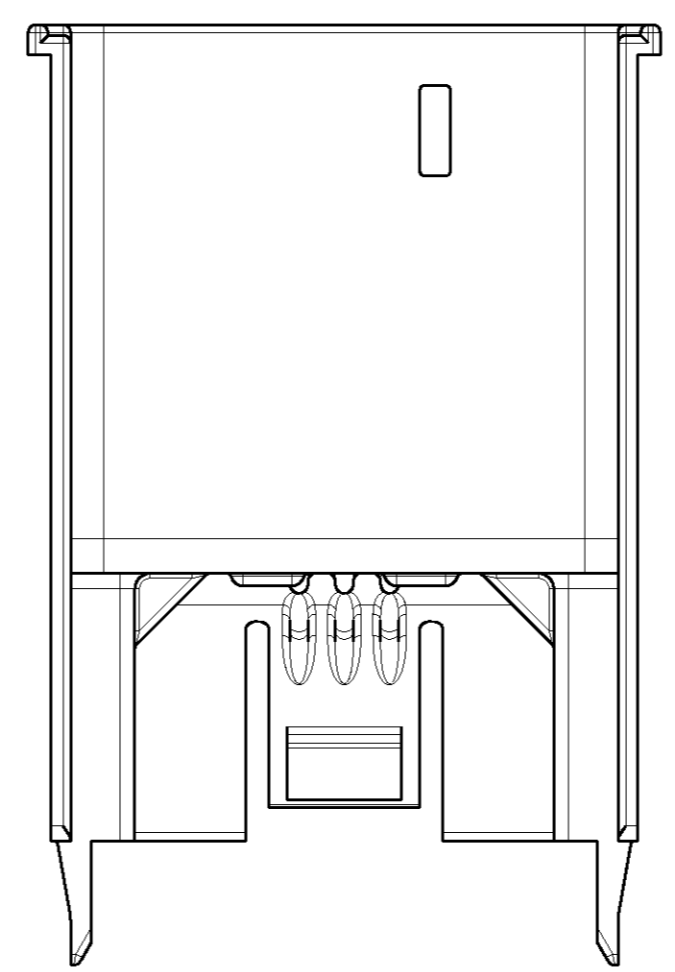
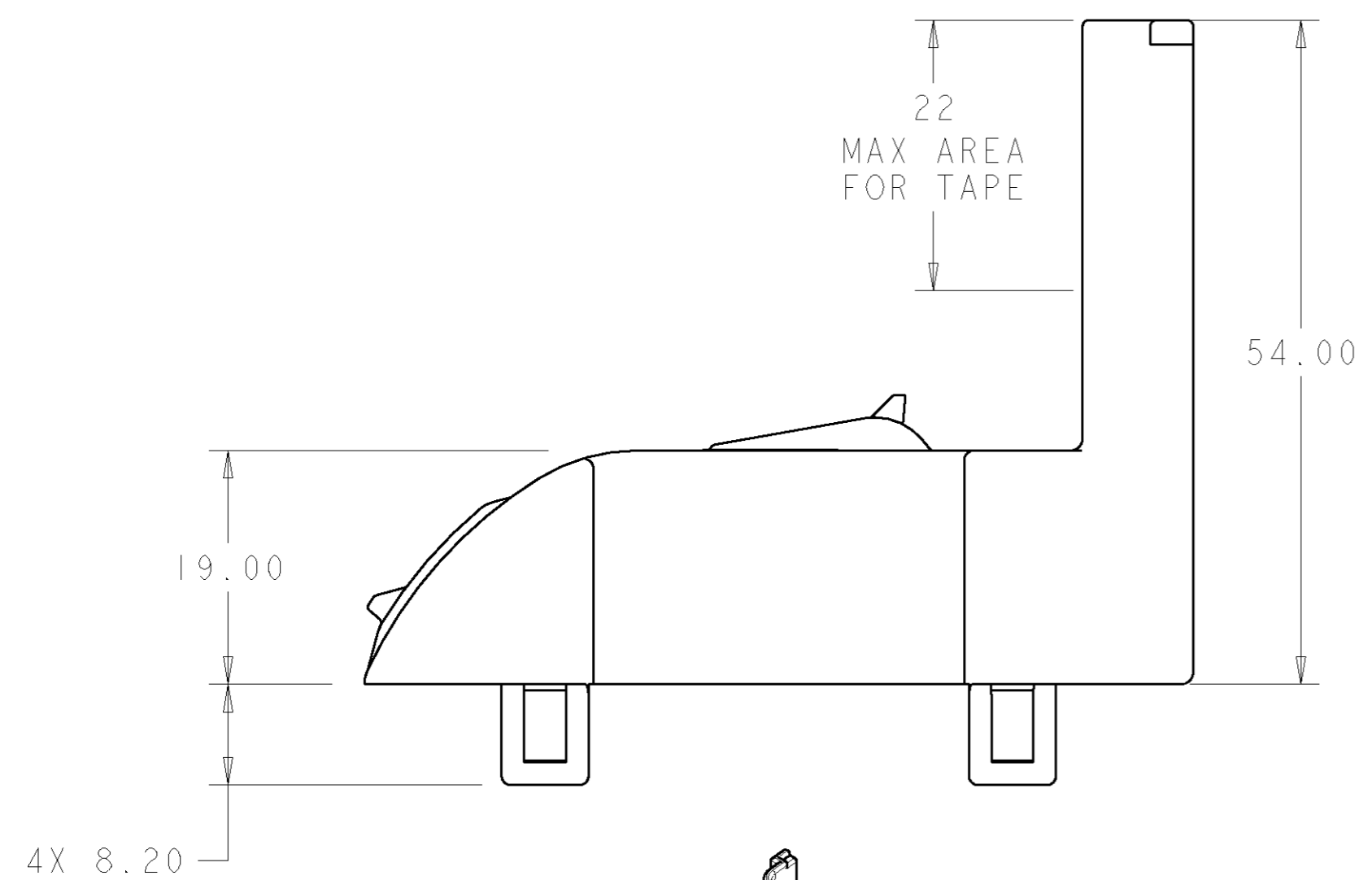


LOC	DIST	REVISIONS					
GE	00	P	LTR	DESCRIPTION	DATE	DWN	APVD
		C		REVISED PER EC 0K40-0020-04	07JUN2004	DD	TW
		C1		REV PER 0K40-0401-04	17NOV2004	RDW	TW
		C2		REVISED PER ECR-07-006656	29MAR2007	AH	DC



▲ PBT, GLASS FILLED, COLOR BLACK.
 2. FOR USE WITH TYCO P/N 1488846 (SOLD SEPARATELY).



REF VIEW
SCALE 1:1

REF VIEW
SCALE 1:1

1488540-1
PART NUMBER

THIS DRAWING IS A CONTROLLED DOCUMENT FOR TYCO ELECTRONICS CORPORATION. IT IS SUBJECT TO CHANGE AND THE CONTROLLING ENGINEERING ORGANIZATION SHOULD BE CONTACTED FOR THE LATEST REVISION.		DWN K. FOLTZ 18JUL20002	Tyco Electronics Harrisburg, PA 17105-3608	
DIMENSIONS: mm		CHK G. MARTIN 19JUL2002	NAME 180 DEGREE WIRE COVER, 40 POSITION, FOR 1.5, 2.8, 6.3 CONTACT SIZES, HYBRID	
TOLERANCES UNLESS OTHERWISE SPECIFIED: 0 PLC ± 1 PLC ± 2 PLC ±0.50 3 PLC ± 4 PLC ± ANGLES ± FINISH -		APVD G. MARTIN 19JUL2002	PRODUCT SPEC -	RESTRICTED TO -
MATERIAL ▲		APPLICATION SPEC -	WEIGHT -	SIZE A2
		CUSTOMER DRAWING	SCALE 2:1	SHEET 1 OF 1

1488540

单击下面可查看定价，库存，交付和生命周期等信息

[>>TE Connectivity\(泰科\)](#)